

# INSTRUMENT CURRENT TRANSFORMERS



CATALOG 2021

**FALCO**  
electronics

# COMPANY PROFILE



Falco began operations in the US and Mexico in 1991, expanding its manufacturing footprint to China in 1996 and India in 2004. From its early focus in the production of general and revenue grade current transformers, Falco is now regarded as a global leader in the manufacturing of magnetic components and large assemblies. As a consequence of its market segments and target customers, Falco made the natural transition to add instrument transformers to its product portfolio in 2015. Today, Falco is a strategic supplier to many of the leading OEMs in the power conversion, solar, metering and power distribution industries. Our industry experts provide reliable, cost effective and unique solutions to our customers.

## MISSION STATEMENT

To provide effective and competitive solutions and service to our customers from the design stage through mass production.

To be the industry leader in the design and manufacturing of magnetic-based components for the power conversion industry, power distribution, energy metering, and solar inverter industries.



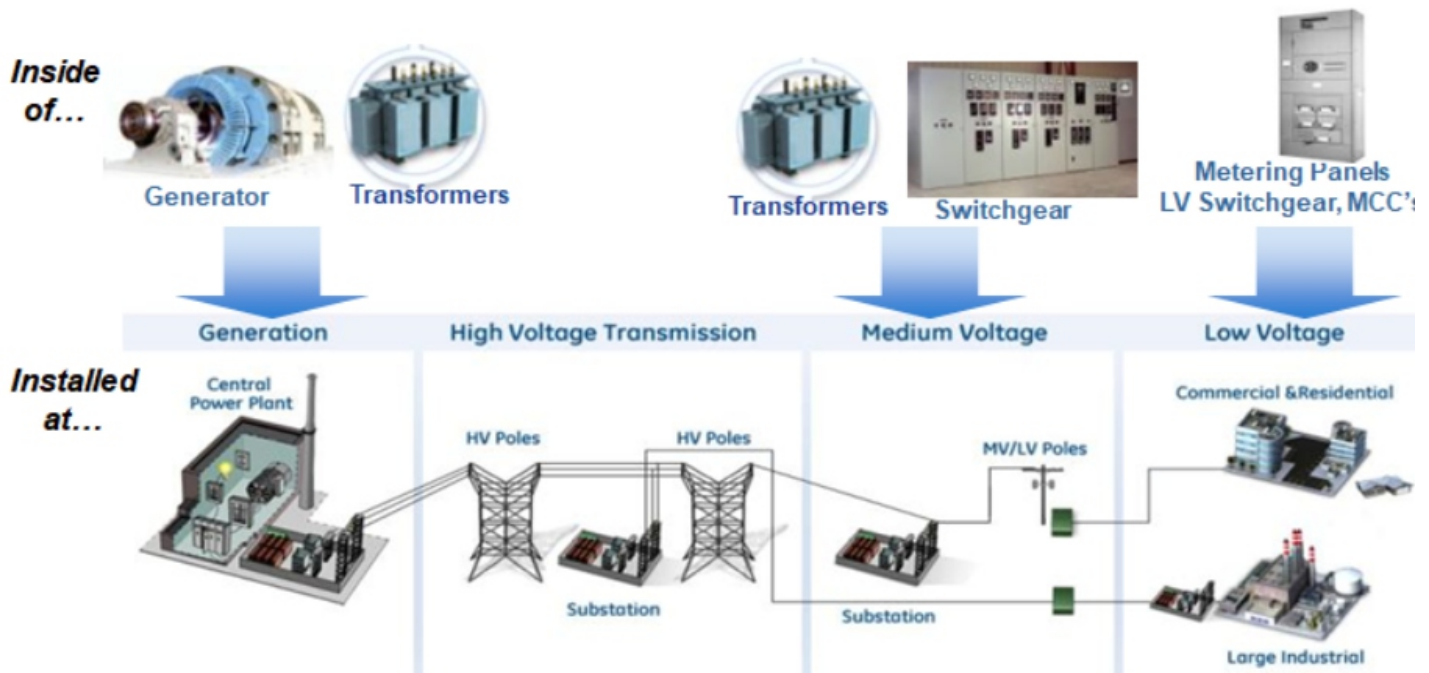
# INSTRUMENT CURRENT TRANSFORMERS LINE

## APPLICATIONS

Instrument transformers provide reliable and accurate input for the protection, control and monitoring of power grid assets such as Motor Control Centers, UPS Systems, Utility Metering, Low and Medium Voltage Switchgear. They are high accuracy class electrical devices used to transform voltage and current levels. They are used to facilitate the operation of instruments such as relays, volt and amp meters.

Current Transformers (CT) are instrument transformers used for current metering and protection through the entire grid – from the generation, transmission and distribution, to commercial and residential locations. They transform the high current on the high voltage side into low current (1 or 5 A) adequate to be processed in measuring and protection instruments (secondary equipment, such as relays and recorders). A CT also isolates the measuring instruments from the high voltage of the monitored circuit.

Falco provides a full low voltage CT portfolio. Our transformers comply with IEEE C57.13, IEC 61869 and CSA-C22.2 industry standards for instrument transformers in the US and Canada.



## FEATURES

Current Range from 50A to 6000AAC

UL, cUL and CSA certified per industry standards

- ✓ Routine and Design Tested per IEEE C57.13 and IEC 61869-1
- ✓ Basic Insulation Levels (BIL) of 10kV full wave
- ✓ Accuracy Class as low as 0.15
- ✓ Rectangular and Toroidal CT Models to meet any footprint application
- ✓ Single and three-phase, multi-ratio models available
- ✓ 1A and 5A secondaries. Custom designs available upon request
- ✓
- ✓

## PRODUCT OVERVIEW

- Low Voltage Switchgear CTs
- Medium Voltage Switchgear CTs
- Metering/General Purpose CTs
- 3 Phase CTs
- Rectangular CTs

# PRODUCT INDEX

## METERING / GENERAL PURPOSE CTs



Product Type	Window Dia. (In)	GE-ITI Equivalent	ABB Equivalent	Page
ICT190	0.75			6
ICT211	1.00			7
ICT200	1.10	AL		8
ICT300	1.45			9
ICT280	1.60	5RL		10
ICT380	2.25			11
ICT401	2.43	7ASHT		12
ICT420	3.00	76RBL		13
ICT480	3.25	8RL		14
ICT550	4.20	19SHT	7525A44G	15
ICT580	4.25	170RL		16
ICT610	4.68			17

## RECTANGULAR CTs



Product Type	Window Dia. (In)	GE-ITI Equivalent	ABB Equivalent	Page
ICT220	1.1 X 0.3			18

## 3 PHASE CTs



Product Type	Window Dia. (In)	GE-ITI Equivalent	ABB Equivalent	Page
ICT400	2.0 & 2.5	3P41, 3P42		20
ICT210	1.25 X 0.25	3P9		22
ICT320	1.55 X 0.25	3P86		23



## LOW VOLTAGE CTs



Product Type	Window Dia. (In)	GE-ITI Equivalent	ABB Equivalent	Page
ICT890	5.50	137	9628A31G	24
ICT89A		137MR	9628A36G	27
ICT820	5.75	135	7526A83G	31
ICT82A		135MR	7526A83G	34
ICT800	6.30	125	7525A36G	35
ICT870	6.50	139	9628A32G	37
ICT87A		139MR	9628A37G	40

## MEDIUM VOLTAGE CTs



Product Type	Window Dia. (In)	GE-ITI Equivalent	ABB Equivalent	Page
ICT11A	5.70			44
ICT910	6.50	780	7527A70G, 6353C88H	45
ICT91A		781	7525A38G, 6350C	47
ICT920		785	7525A37G, 6353C89H	51
ICT92A		786	7525A39G, 6436C	53
ICT960	7.00	680	9628A62G	57
ICT96A		681	9628A64G	61
ICT980		685	9628A63G	65
ICT98A		686	9628A65G	68



# INSTRUMENT CURRENT TRANSFORMER



0.75" Internal Diameter

Width 1.1"



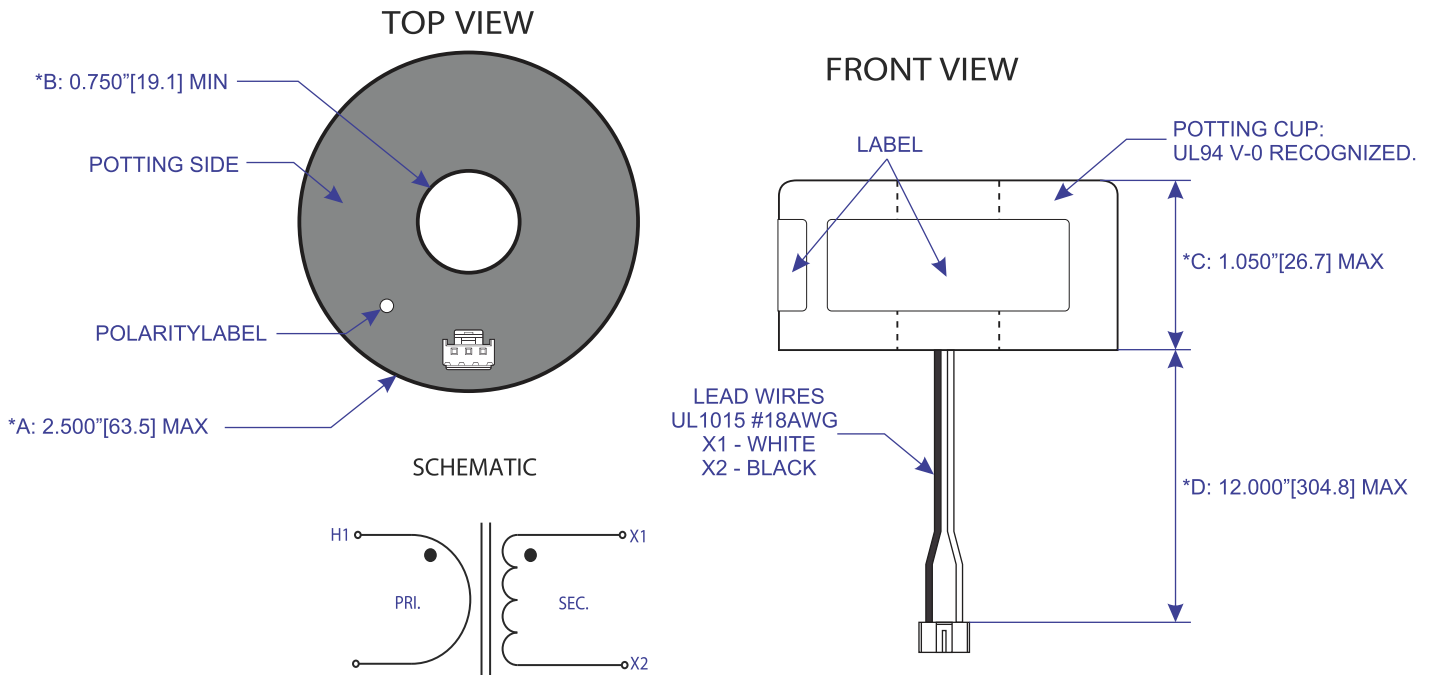
- Application - Metering
- Frequency 50 - 400hz
- AC capability 50 - 100 Amperes
- Insulation Class 0.6kV, 10kV BIL full wave
- Other ratios available upon request
- Rating Factor: 1.0 @ 30C ambient
- Secondary leads are UL 1015 105 C, #18 AWG, 12" long
- Approximate weight 0.5 lbs
- UL and cUL Certified per ANSI/IEEE C57.13 standard



## ELECTRICAL SPECIFICATIONS

CATALOG NUMBER	CURRENT RATIO (A)	ACCURACY AT 60HZ	BURDEN VA AT 60HZ	SECONDARY WINDING RESISTANCE(OHMS @75C)
ICT19001	61.25:0.175	1%	0.153	1.85
ICT19002	61.25:0.0875	1%	0.038	9.30

## MECHANICAL SPECIFICATIONS



# INSTRUMENT CURRENT TRANSFORMER



1.0" Internal Diameter

Width 1.3"



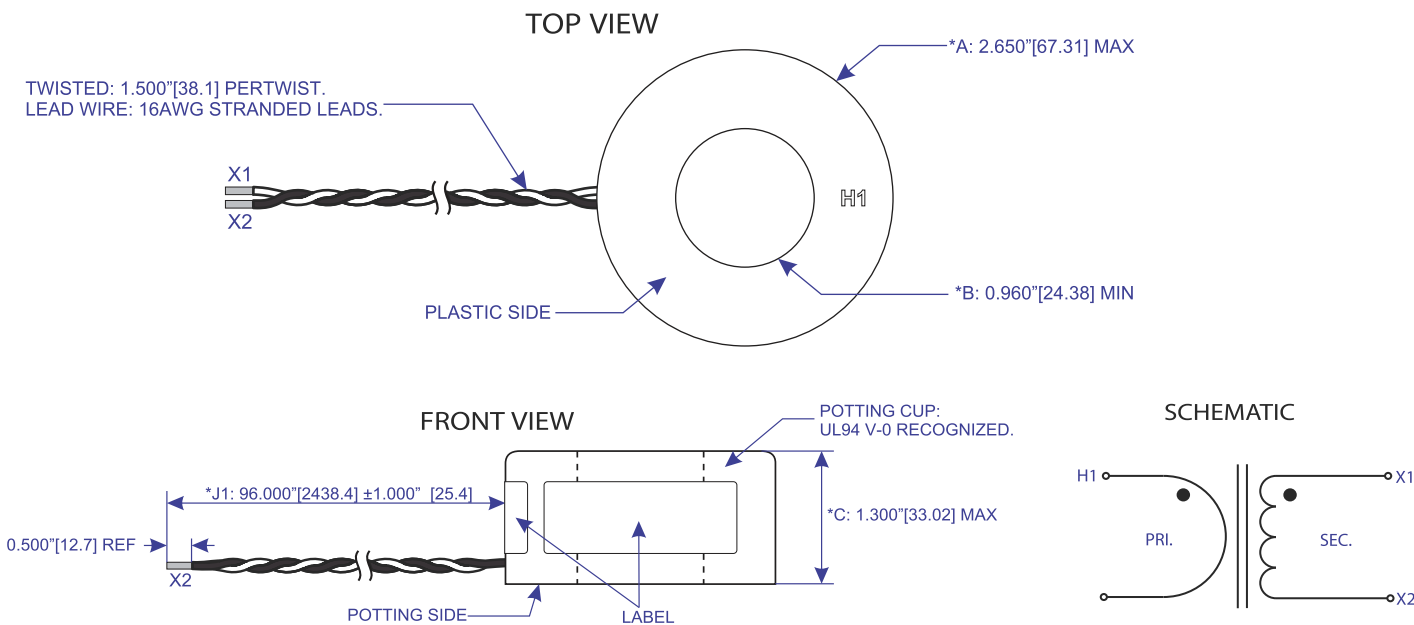
- Application - Metering
- Frequency 50 - 400hz
- AC capability 50 - 1000 Amperes
- Insulation Class 0.6kV, 10kV BIL full wave
- Other ratios available upon request
- Rating Factor: 1.0 @ 30C ambient
- Secondary leads are UL 1015 105 C, #16 AWG, 96" long
- Approximate weight 1 lbs
- UL and cUL Certified per ANSI/IEEE C57.13 standard



## ELECTRICAL SPECIFICATIONS

CATALOG NUMBER	CURRENT RATIO (A)	ACCURACY AT 60HZ	BURDEN VA AT 60HZ	ACCURACY AT 400HZ	BURDEN VA AT 400HZ	SECONDARY WINDING RESISTANCE (OHMS @75C)
ICT21103	100:1	1%	1.0	1%	2.0	0.48
ICT21104	200:5	1%	2.5	1%	5.0	0.08
ICT21105	200:1	0.3%	1.0	0.3%	2.0	0.57
ICT21106	200:5	1%	2.5	1%	5.0	0.08

## MECHANICAL SPECIFICATIONS



# INSTRUMENT CURRENT TRANSFORMER

1.1" Internal Diameter

Width 1.3"



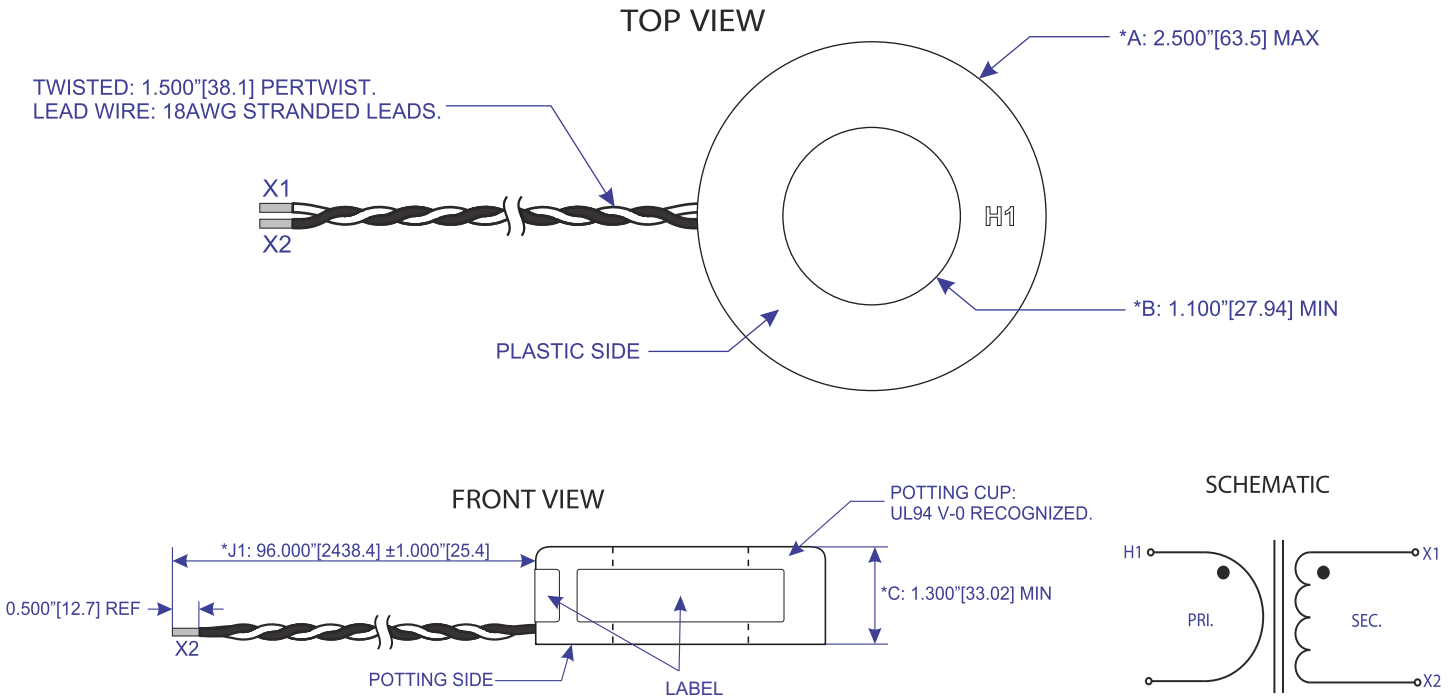
- Application - Metering
- Frequency 50 - 60hz
- AC capability 50 - 1000 Amperes
- Insulation Class 0.6kV, 10kV BIL full wave
- Other ratios available upon request
- Rating Factor: 1.0 @ 30C ambient
- Secondary leads are UL 1015 105 C, #18 AWG, 96" long
- Approximate weight 0.7 lbs
- UL and cUL Certified per ANSI/IEEE C57.13 standard



## ELECTRICAL SPECIFICATIONS

CATALOG NUMBER	CURRENT RATIO (A)	ACCURACY AT 60HZ	BURDEN VA AT 60HZ	SECONDARY WINDING RESISTANCE(OHMS @75C)
ICT20001	500:1	0.6%	1.0	2.57

## MECHANICAL SPECIFICATIONS





# INSTRUMENT CURRENT TRANSFORMER



1.45" Internal Diameter

Width 1.5"



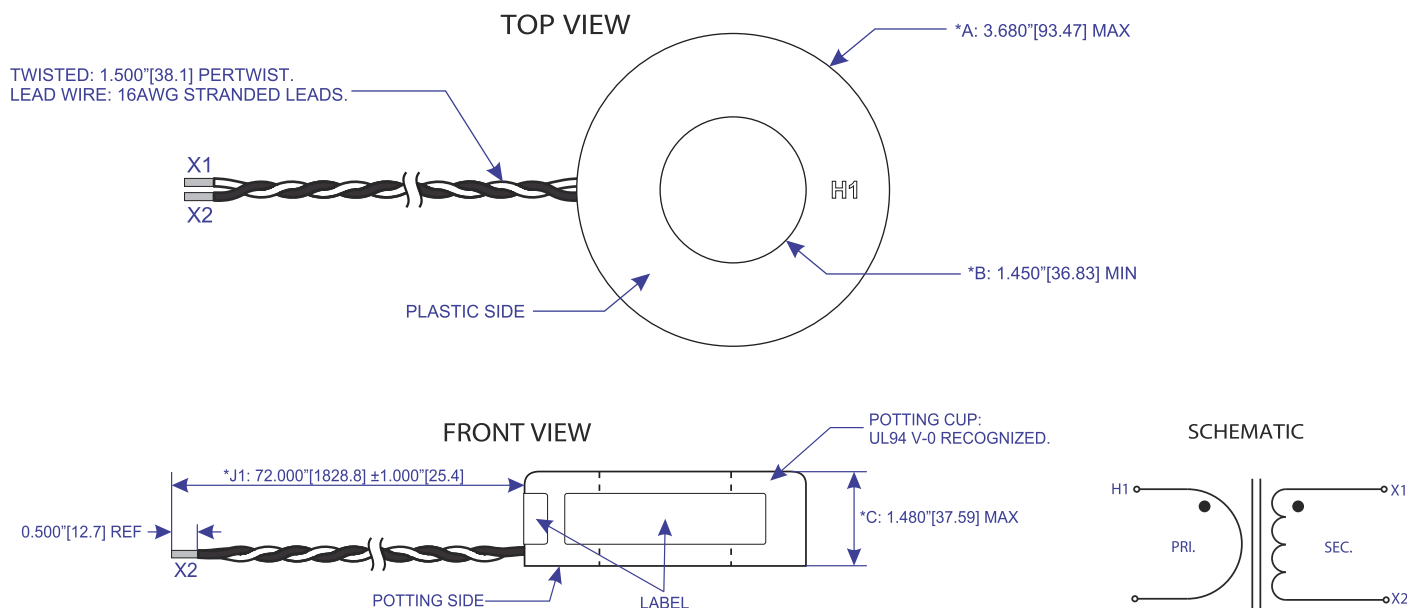
- Application - Metering
- Frequency 50 - 400hz
- AC capability 50 - 1000 Amperes
- Insulation Class 0.6kV, 10kV BIL full wave
- Other ratios available upon request
- Rating Factor: 1.0 @ 30C ambient
- Secondary leads are UL 1015 105 C, #16 AWG, 72" long
- Approximate weight 2 lbs
- UL and cUL Certified per ANSI/IEEE C57.13 standard



## ELECTRICAL SPECIFICATIONS

CATALOG NUMBER	CURRENT RATIO (A)	ACCURACY AT 60HZ	BURDEN VA AT 60HZ	ACCURACY AT 400HZ	BURDEN VA AT 400HZ	SECONDARY WINDING RESISTANCE (OHMS @75C)
ICT30001	500:5	1%	12.5	1%	25.0	0.12
ICT30002	500:1	0.3%	1.0	0.3%	2.0	3.10

## MECHANICAL SPECIFICATIONS



# INSTRUMENT CURRENT TRANSFORMER

1.6" Internal Diameter

Width 1.3"



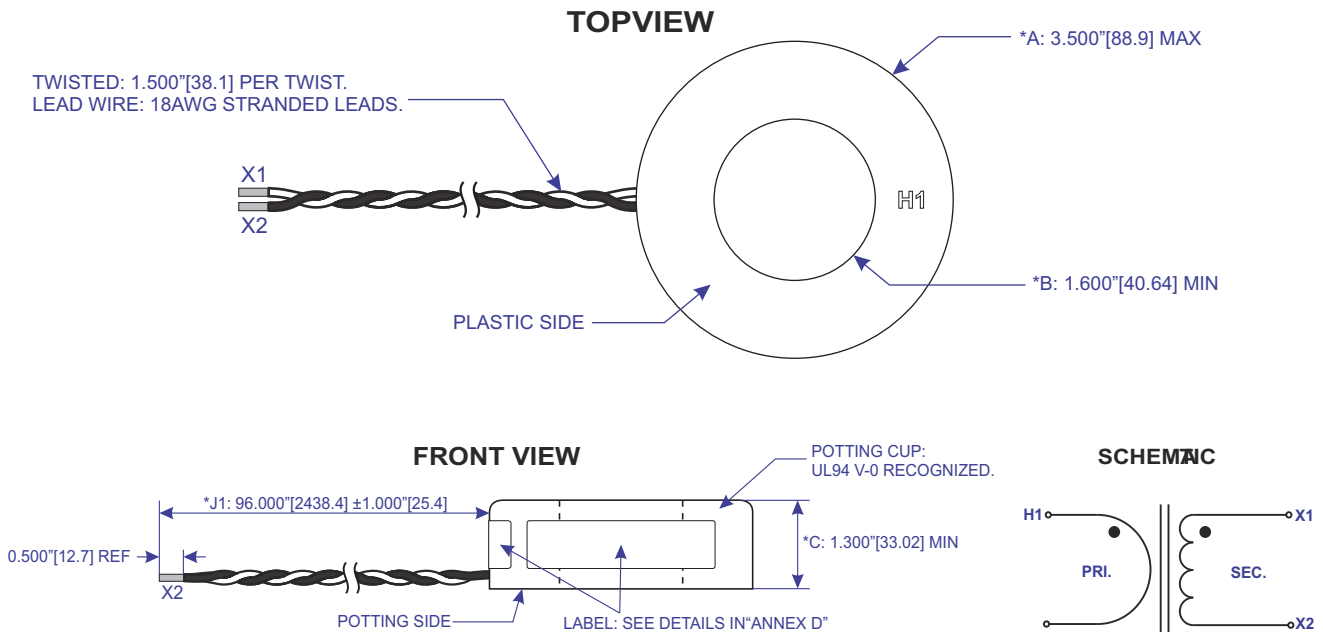
- Application - Metering
- Frequency 50 - 60hz
- AC capability 50 - 2000 Amperes
- Insulation Class 0.6kV, 10kV BIL full wave
- Other ratios available upon request
- Rating Factor: 1.1 @ 30C ambient
- Secondary leads are UL 1015 105 C, #18 AWG, 96" long
- Approximate weight 1 lbs
- UL and cUL Certified per ANSI/IEEE C57.13 standard



## ELECTRICAL SPECIFICATIONS

CATALOG NUMBER	CURRENT RATIO (A)	ACCURACY AT 60HZ	BURDEN VA AT 60HZ	SECONDARY WINDING RESISTANCE(OHMS @75C)
ICT28002	250:1	0.3%	1.0	0.46
ICT28004	250:1	0.6%	1.0	0.75
ICT28003	400:1	0.3%	1.0	1.66
ICT28005	400:1	0.6%	1.0	1.76
ICT28001	1000:1	0.6%	1.0	4.25

## MECHANICAL SPECIFICATIONS



# INSTRUMENT CURRENT TRANSFORMER



2.25" Internal Diameter  
Width 1.5"



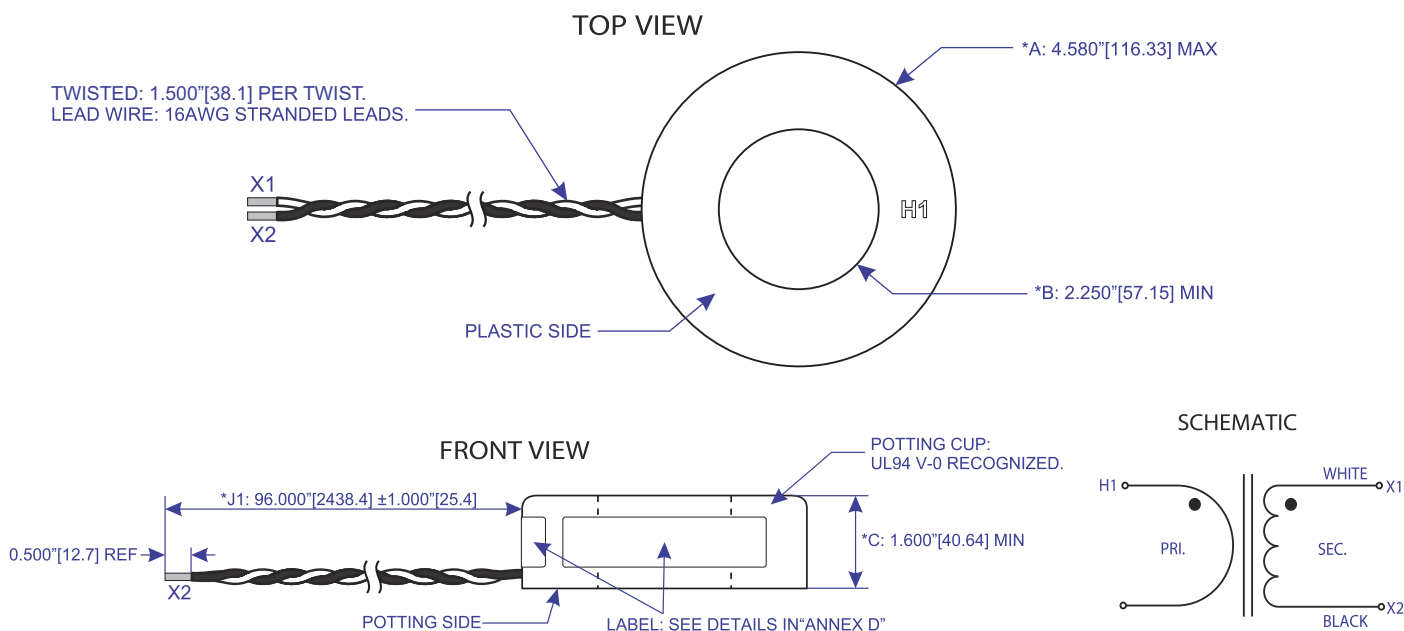
- Application - Metering
- Frequency 50 - 400hz
- AC capability 50 - 1000 Amperes
- Insulation Class 0.6kV, 10kV BIL full wave
- Other ratios available upon request
- Rating Factor: 1.1 @ 30C ambient
- Secondary leads are UL 1015 105 C, #16 AWG, 96" long
- Approximate weight 2.7 lbs
- UL and cUL Certified per ANSI/IEEE C57.13 standard



## ELECTRICAL SPECIFICATIONS

CATALOG NUMBER	CURRENT RATIO (A)	ACCURACY AT 60HZ	BURDEN VA AT 60HZ	ACCURACY AT 400HZ	BURDEN VA AT 400HZ	SECONDARY WINDING RESISTANCE (OHMS @75C)
ICT38001	100:1	1%	1.0	1%	2.0	0.21
ICT38002	200:1	0.3%	1.0	0.3%	2.0	0.65
ICT38003	500:1	0.3%	5.0	0.3%	10.0	2.50
ICT38005	650:1	0.3%	1.0			4.50
ICT38006	650:1	0.6%	1.0			4.00
ICT38004	1000:1	0.3%	5.0	0.3%	10.0	6.74

## MECHANICAL SPECIFICATIONS



## 2.43" Internal Diameter

Width 1.16"



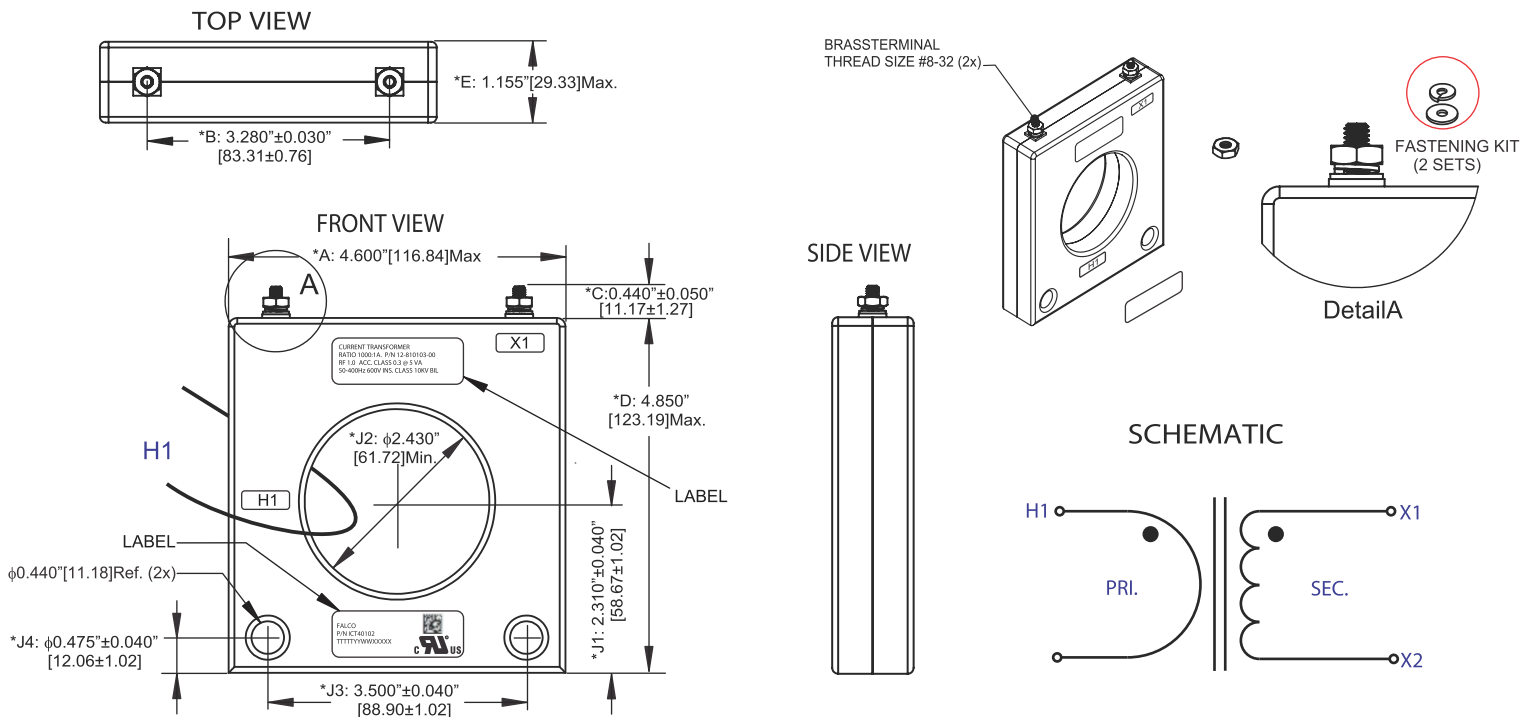
- Application - Metering
- Frequency 50 - 400hz
- AC capability 50 - 2000 Amperes
- Insulation Class 0.6kV, 10kV BIL full wave
- Other ratios available upon request
- Rating Factor: 1.0 @ 30C ambient
- Secondary terminals are brass studs No. 8-32 with one lockwasher, flatwasher and regular nut
- Approximate weight 1.5 lbs
- UL and cUL Certified per ANSI/IEEE C57.13 standard



### ELECTRICAL SPECIFICATIONS

CATALOG NUMBER	CURRENT RATIO (A)	ACCURACY AT 60HZ	BURDEN VA AT 60HZ	SECONDARY WINDING RESISTANCE(OHMS @75C)
ICT40101	400:1	1%	5.0	2.75
ICT40102	1000:1	1%	5.0	7.00
ICT40103	1600:1	1%	5.0	8.30

### MECHANICAL SPECIFICATIONS



# INSTRUMENT CURRENT TRANSFORMER



3.00" Internal Diameter

Width 1.25"

PICTURE PENDING

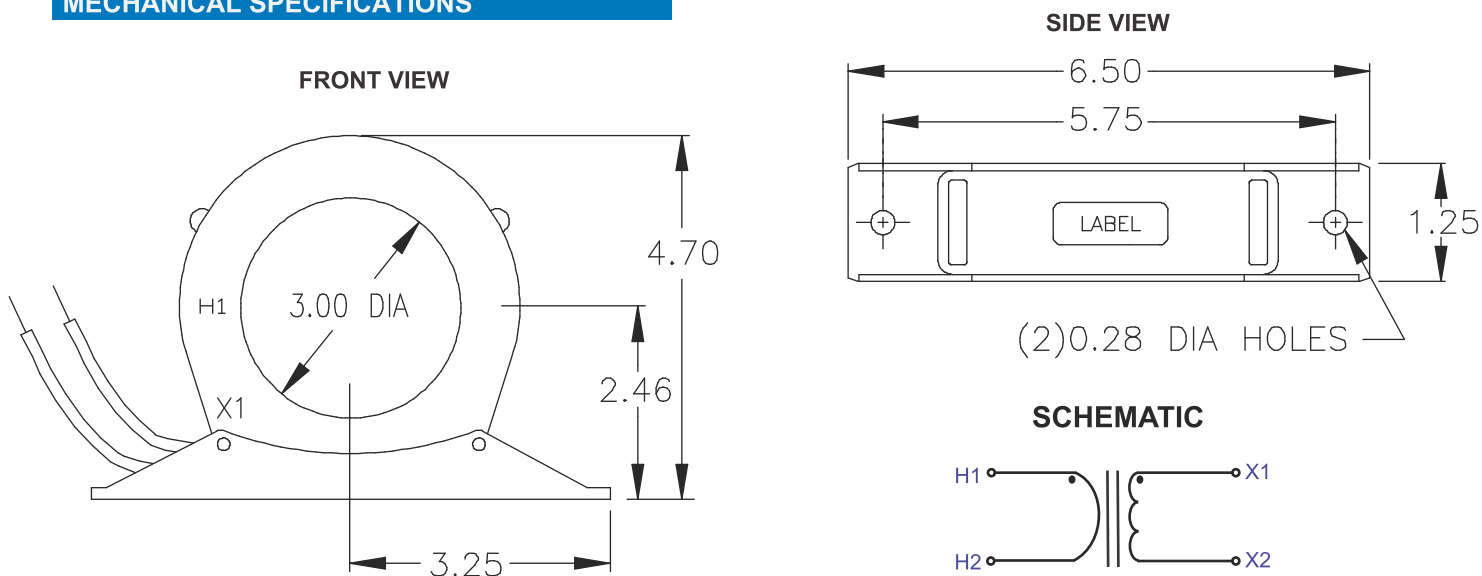
- Application - Metering
- Frequency 50 - 400hz
- AC capability 50 - 1000 Amperes
- Insulation Class 0.6kV, 10kV BIL full wave
- Other ratios available upon request
- Rating Factor: 1.0 @ 30C ambient
- Secondary leads are UL 1015 105 C, #16 AWG, 24" long
- Approximate weight 1.2 lbs
- UL and cUL Certified per ANSI/IEEE C57.13 standard



## ELECTRICAL SPECIFICATIONS

CATALOG NUMBER	CURRENT RATIO (A)	ACCURACY AT 60HZ	SECONDARY WINDING RESISTANCE(OHMS @75C)	CURRENT RATING FACTOR @30C
	100:5	1%	0.010	2.0
	200:5	1%	0.029	2.0
	250:5	1%	0.042	2.0
	300:5	1%	0.061	2.0
ICT42002	400:5	1%	0.128	1.5
	500:5	1%	0.254	1.3
ICT42003	600:5	1%	0.305	1.0
	800:5	1%	0.323	1.0
	1000:5	1%	0.321	1.0
ICT42001	1200:5	1%	0.322	1.0
	1600:5	1%	0.362	1.0
	2000:5	1%	0.383	1.0

## MECHANICAL SPECIFICATIONS

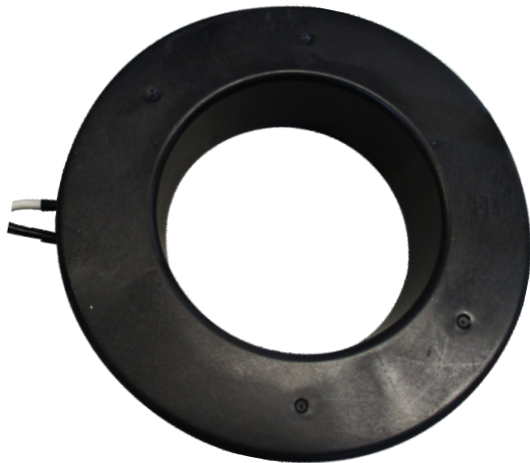


# INSTRUMENT CURRENT TRANSFORMER



**3.25" Internal Diameter**

Width 1.42"



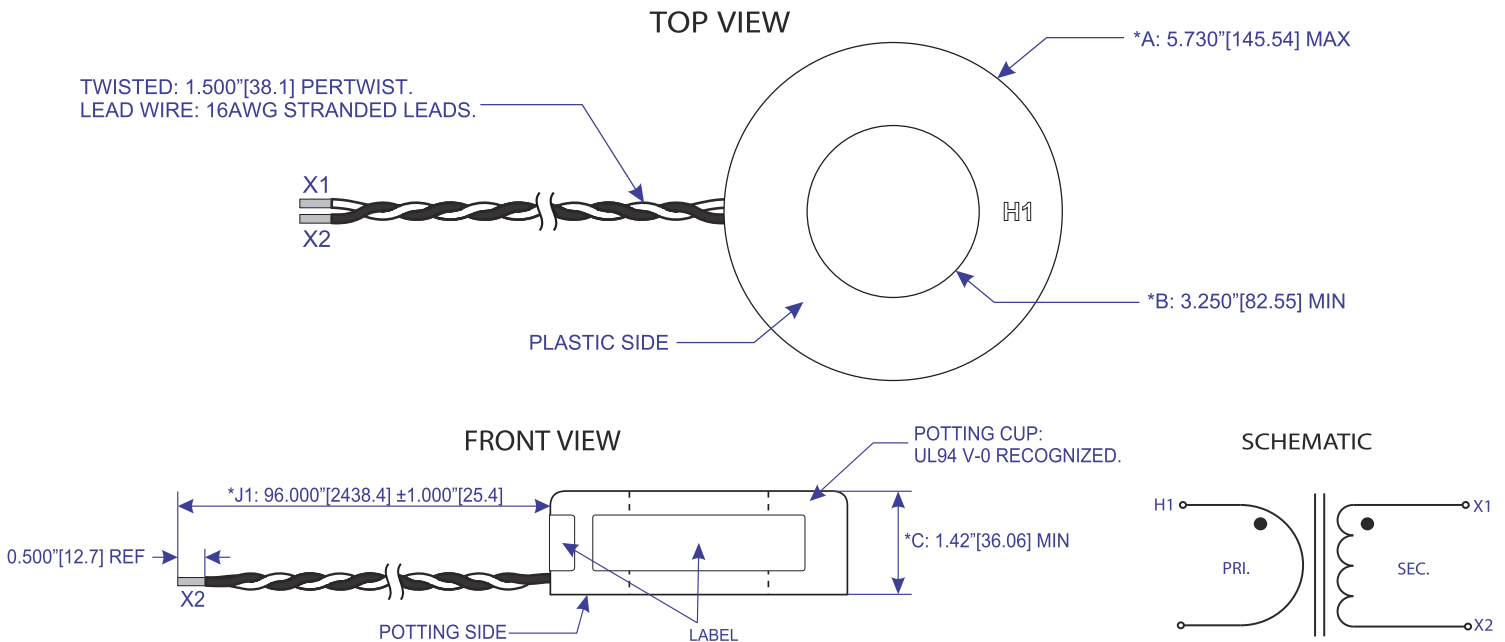
- Application - Metering
- Frequency 50 - 400hz
- AC capability 50 - 4000 Amperes
- Insulation Class 0.6kV, 10kV BIL full wave
- Other ratios available upon request
- Rating Factor: 1.0 @ 30C ambient
- Secondary leads are UL 1015 105 C, #16 AWG, 96" long
- Approximate weight 3 lbs
- UL and cUL Certified per ANSI/IEEE C57.13 standard



## ELECTRICAL SPECIFICATIONS

CATALOG NUMBER	CURRENT RATIO (A)	ACCURACY AT 60HZ	BURDEN VA AT 60HZ	ACCURACY AT 400HZ	BURDEN VA AT 400HZ	SECONDARY WINDING RESISTANCE (OHMS @75C)
ICT48001	2000:1	0.3%	5.0	0.3%	10.0	11.77

## MECHANICAL SPECIFICATIONS



# INSTRUMENT CURRENT TRANSFORMER



4.20" Internal Diameter

Width 1.40"



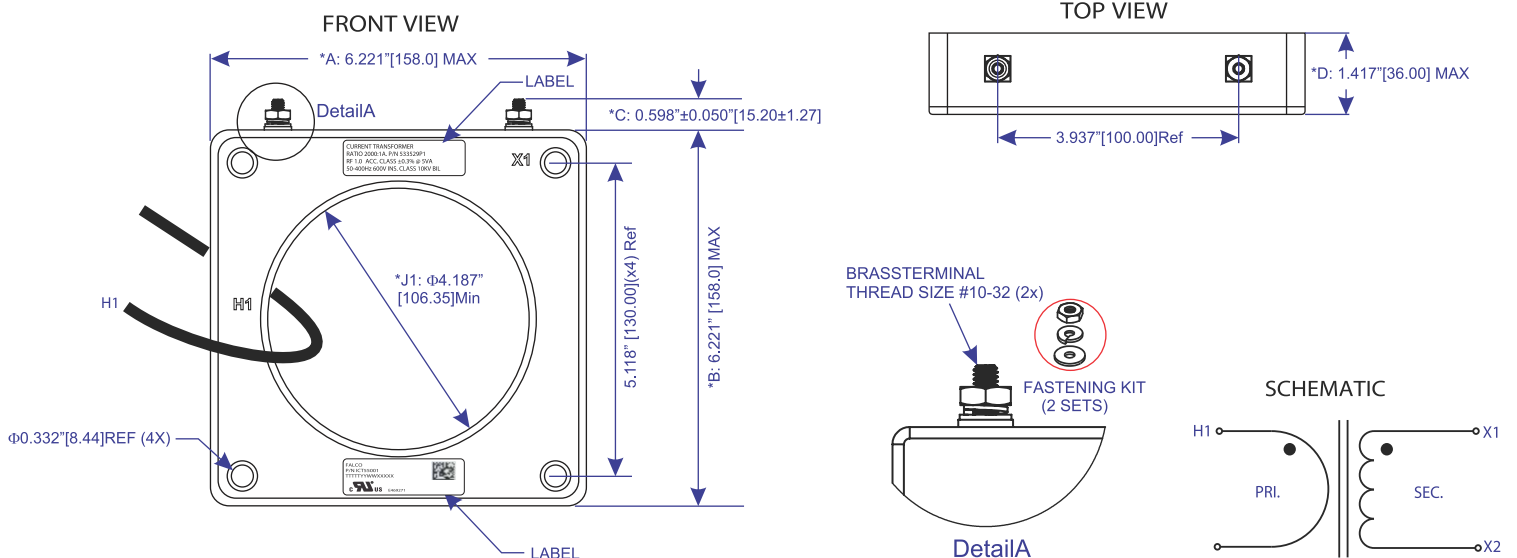
- Application - Metering
- Frequency 50 - 400hz
- AC capability 50 - 4000 Amperes
- Insulation Class 0.6kV, 10kV BIL full wave
- Other ratios available upon request
- Rating Factor: 1.0 @ 30C ambient
- Secondary terminals are brass studs No. 10-32 with one lockwasher, flatwasher and regular nut
- Approximate weight 2.5 lbs
- UL and cUL Certified per ANSI/IEEE C57.13 standard



## ELECTRICAL SPECIFICATIONS

CATALOG NUMBER	CURRENT RATIO (A)	ACCURACY AT 60HZ	BURDEN VA AT 60HZ	SECONDARY WINDING RESISTANCE(OHMS @75C)
ICT55001	2000:1	0.3%	5.0	12.50
ICT55002	2500:1	0.3%	5.0	15.00
ICT55003	3000:1	0.3%	5.0	15.00

## MECHANICAL SPECIFICATIONS



# INSTRUMENT CURRENT TRANSFORMER



4.25" Internal Diameter

Width 1.9"



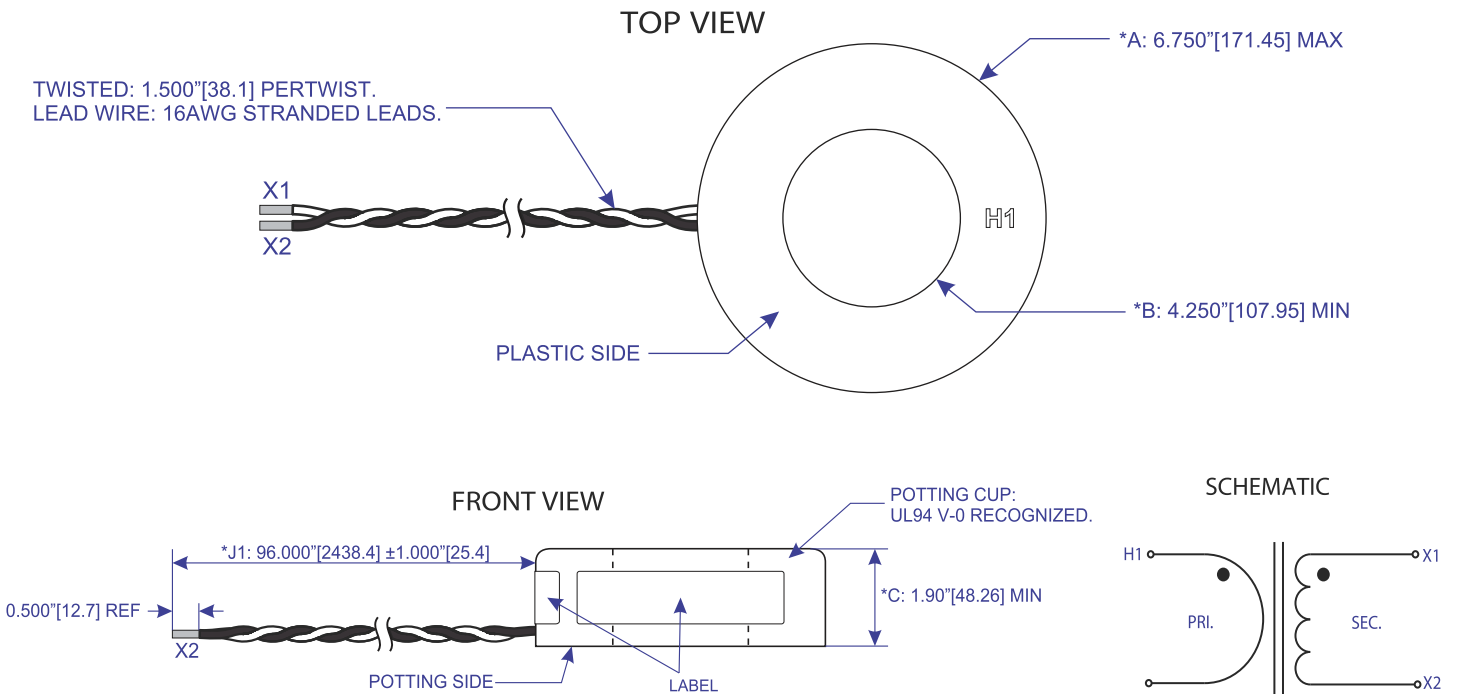
- Application - Metering
- Frequency 50 - 400hz
- AC capability 50 - 4000 Amperes
- Insulation Class 0.6kV, 10kV BIL full wave
- Other ratios available upon request
- Rating Factor: 1.0 @ 30C ambient
- Secondary leads are UL 1015 105 C, #16 AWG, 96" long
- Approximate weight 5 lbs
- UL and cUL Certified per ANSI/IEEE C57.13 standard



## ELECTRICAL SPECIFICATIONS

CATALOG NUMBER	CURRENT RATIO (A)	ACCURACY AT 60HZ	BURDEN VA AT 60HZ	ACCURACY AT 400HZ	BURDEN VA AT 400HZ	SECONDARY WINDING RESISTANCE (OHMS @75C)
ICT58001	4000:1	0.3%	5.0	0.3%	10.0	19.50

## MECHANICAL SPECIFICATIONS





## 4.68" Internal Diameter

Width 1.54"



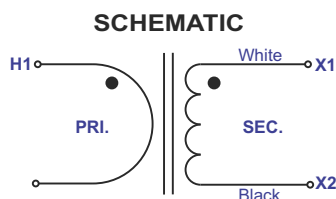
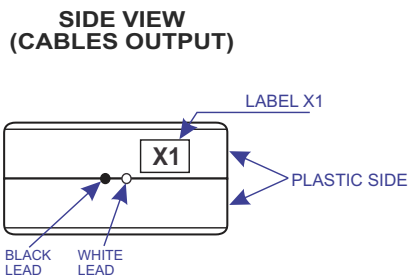
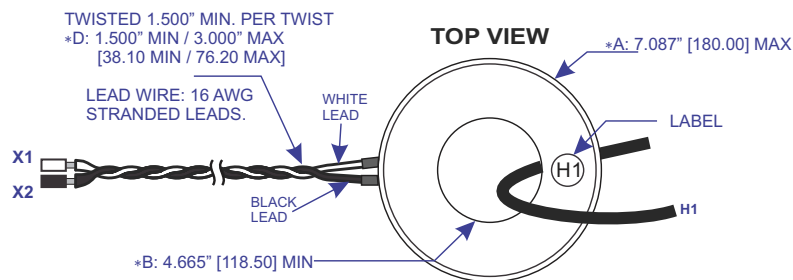
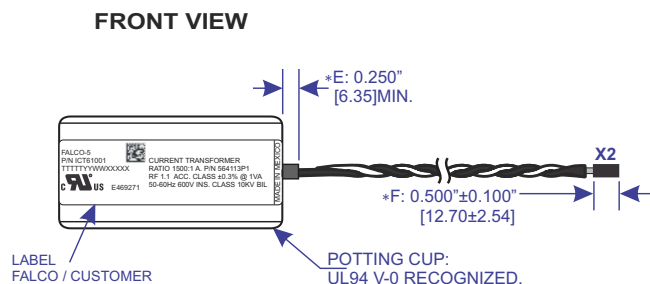
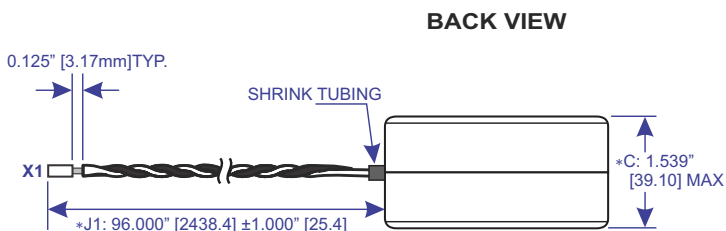
- Application - Metering
- Frequency 50 - 60hz
- AC capability 50 - 4000 Amperes
- Insulation Class 0.6kV, 10kV BIL full wave
- Other ratios available upon request
- Rating Factor: 1.1 @ 30C ambient
- Secondary leads are UL 1015 105 C, #16 AWG, 96" long
- Approximate weight 3 lbs
- UL and cUL Certified per ANSI/IEEE C57.13 standard

US E469271

### ELECTRICAL SPECIFICATIONS

CATALOG NUMBER	CURRENT RATIO (A)	ACCURACY AT 60HZ	BURDEN VA AT 60HZ	SECONDARY WINDING RESISTANCE (OHMS @75C)
ICT61002	1000:1	0.3%	1.0	3.85
ICT61001	1500:1	0.3%	1.0	9.10

### MECHANICAL SPECIFICATIONS



# INSTRUMENT CURRENT TRANSFORMER

## 1.10 X 0.3" Rectangular Window

Width 2.20"



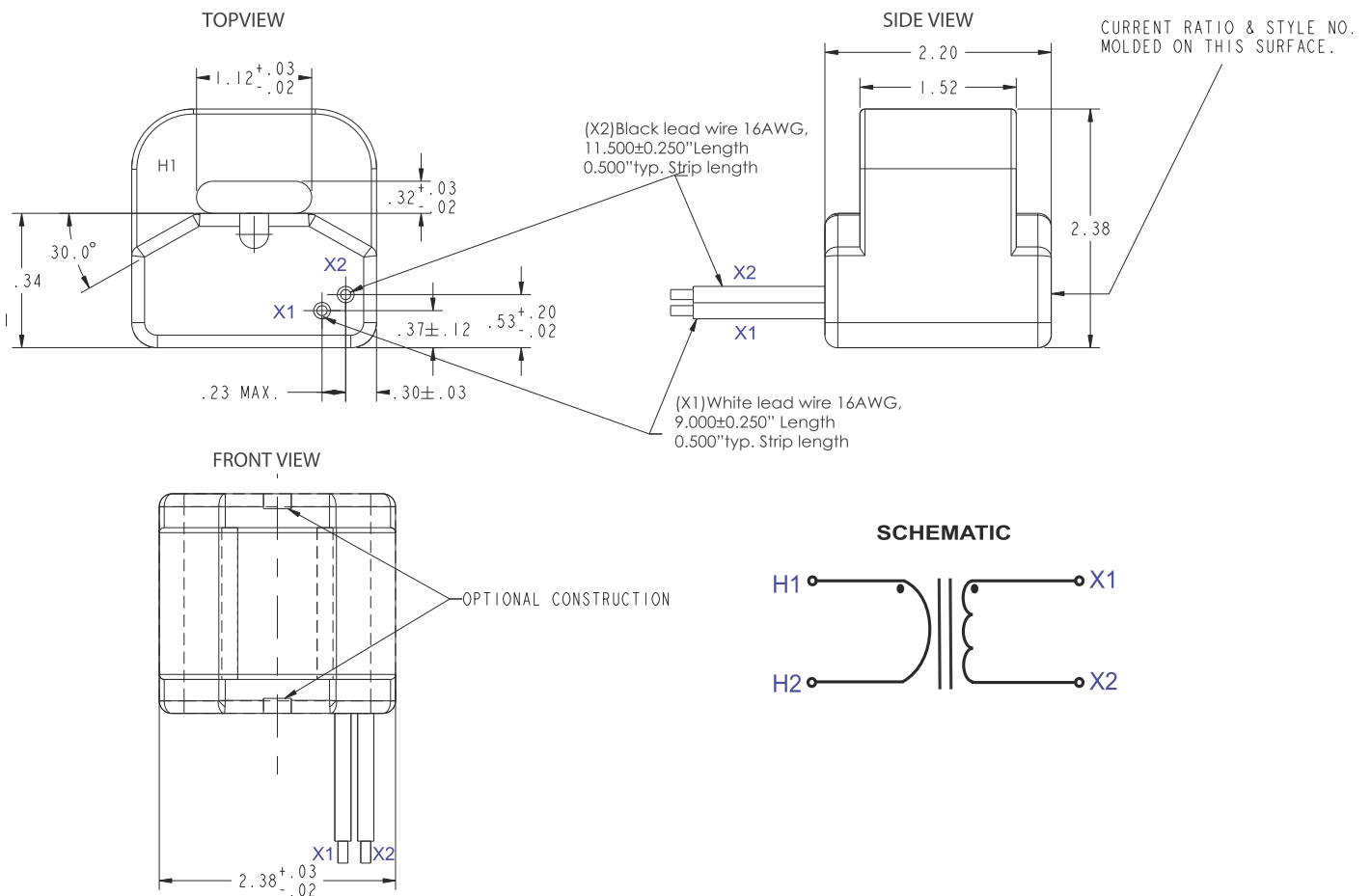
- Application - Metering
- Frequency 50 - 400hz
- AC capability 50 - 1000 Amperes
- Insulation Class 0.6kV, 10kV BIL full wave
- Other ratios available upon request
- Rating Factor: 1.0 @ 30C ambient
- Secondary leads are UL 1015 105 C, #16 AWG, 9" long
- Approximate weight 1.5 lbs
- UL and cUL Certified per ANSI/IEEE C57.13 standard



### ELECTRICAL SPECIFICATIONS

CATALOG NUMBER	CURRENT RATIO (A)	ANSI METERING CLASS AT 60HZ					SECONDARY WINDING RESISTANCE(OHMS @75C)
		B0.1	B0.2	B0.5	B0.9	B1.8	
ICT22001	300:5	0.3	0.3	0.6			0.16

### MECHANICAL SPECIFICATIONS

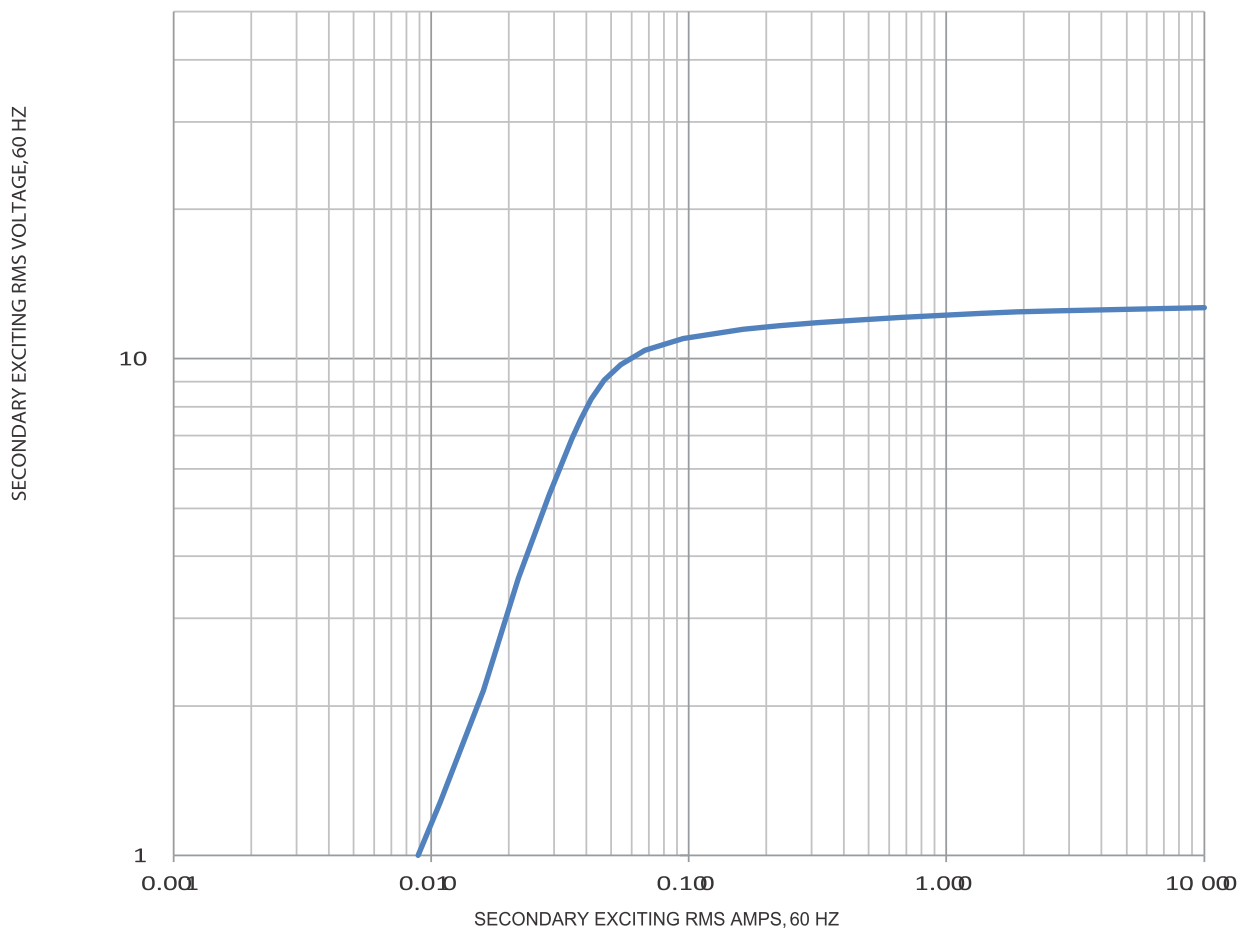


5.50" Internal Diameter

Width 5.00"



## Typical Excitation Curves



# INSTRUMENT CURRENT TRANSFORMER

3P 2.0" & 2.5" Internal Diameter  
Width 2.25"



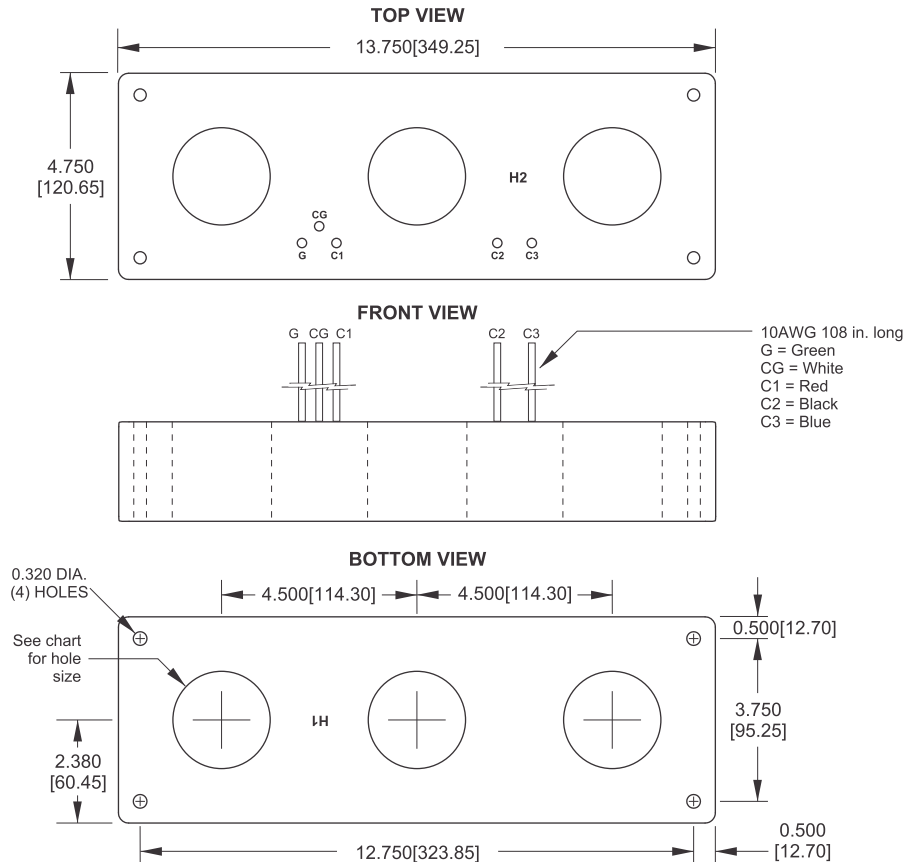
- Application - 3-Phase metering
- Frequency 50 - 400hz
- AC capability 100 - 1000 Amperes
- Insulation Class 0.6kV, 10kV BIL full wave
- Other ratios available
- Secondary terminals are UL 1015, 105° C, CSA approved, No. 10 AWG, 108 in. long.
- Approximate weight 12 lbs
- UL and cUL Certified per ANSI/IEEE C57.13 standard



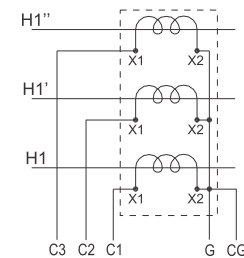
## ELECTRICAL SPECIFICATIONS

CATALOG NUMBER	CURRENT RATIO (A)	ANSI METERING CLASS AT 60HZ					SECONDARY WINDING RESISTANCE (OHMS @75C)	CURRENT RATING FACTOR @30C	EXCITATION VOLTAGE AT KNEE (V), 60 Hz	HOLE DIAMETER (in)
		B0.1	B0.2	B0.5	B0.9	B1.8				
ICT40007	100:5	0.6	1.2	2.4			0.04	1.0	6.75	2.00
ICT40001	150:5	0.6	1.2	2.4			0.06	1.0	6.00	2.00
ICT40005	200:5	0.6	0.6	1.2	2.4		0.08	1.0	8.00	2.00
ICT40003	300:5	0.3	0.6	1.2	2.4		0.06	1.0	6.25	2.50
ICT40006	400:5	0.3	0.3	0.6	1.2	2.4	0.09	1.0	8.35	2.50
ICT40004	600:5	0.3	0.3	0.3	0.6	0.6	0.21	1.0	24.00	2.00
ICT40008	800:5	0.3	0.3	0.3	0.3	0.3	0.30	1.0	32.00	2.00
ICT40009	900:5	0.3	0.3	0.3	0.3	0.3	0.31	1.0	36.19	2.00
ICT40002	1000:5	0.3	0.3	0.3	0.3	0.3	0.28	1.0	25.10	2.00

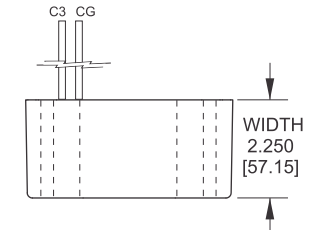
## MECHANICAL SPECIFICATIONS



## CONNECTION DIAGRAM

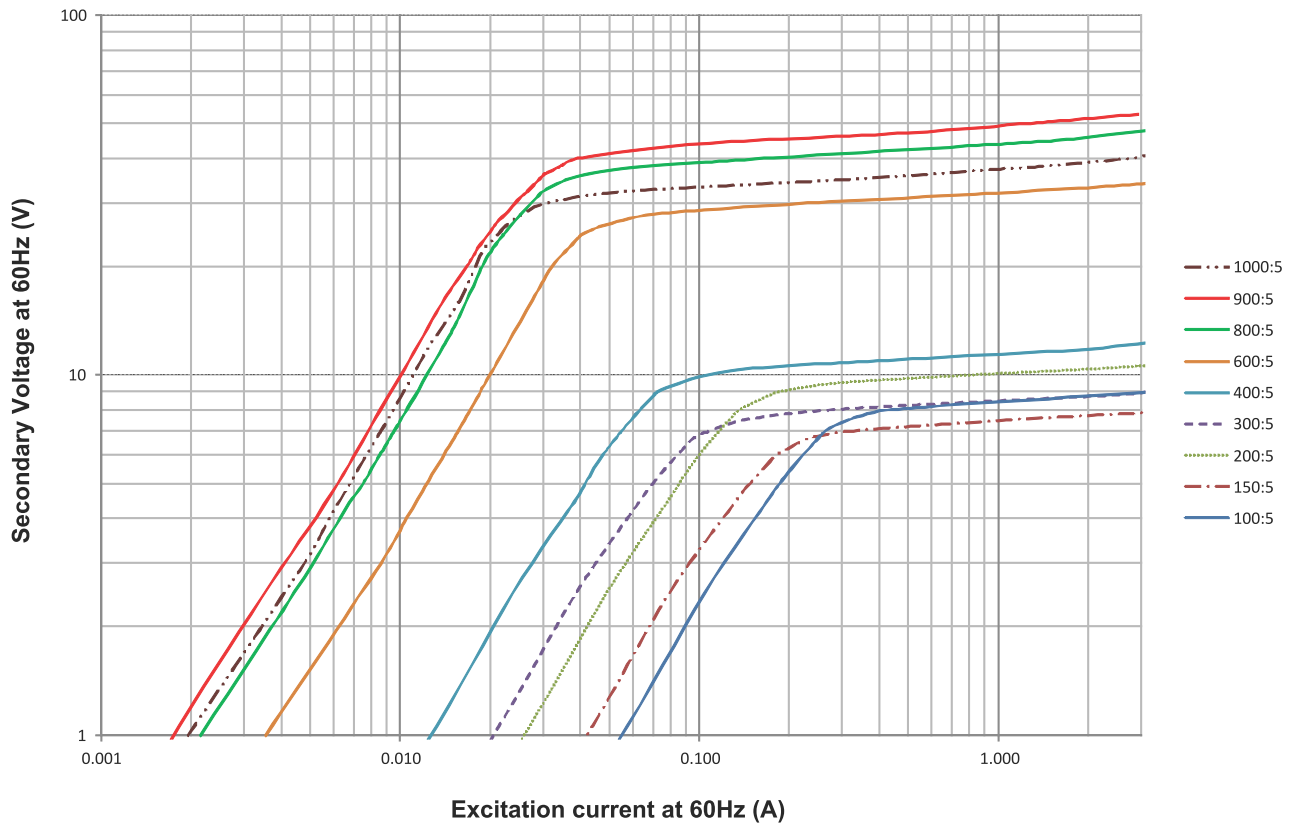


## SIDE VIEW



DIMENSIONS IN INCHES[MM]

### Typical Excitation Curves



# INSTRUMENT CURRENT TRANSFORMER

## 3P 1.25" x 0.25" Rectangular Window

Width 3.20"



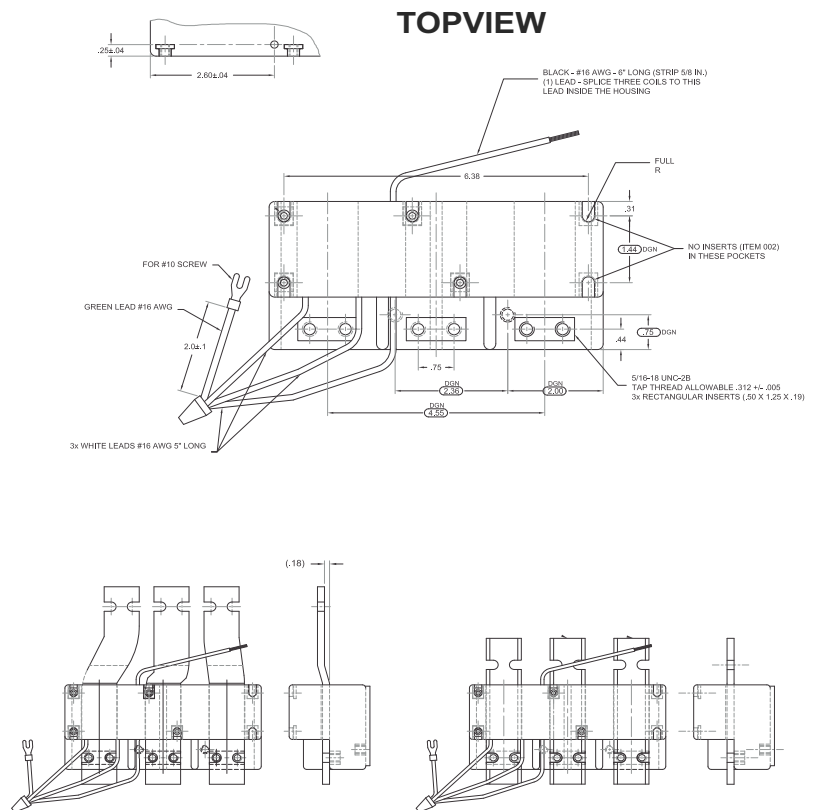
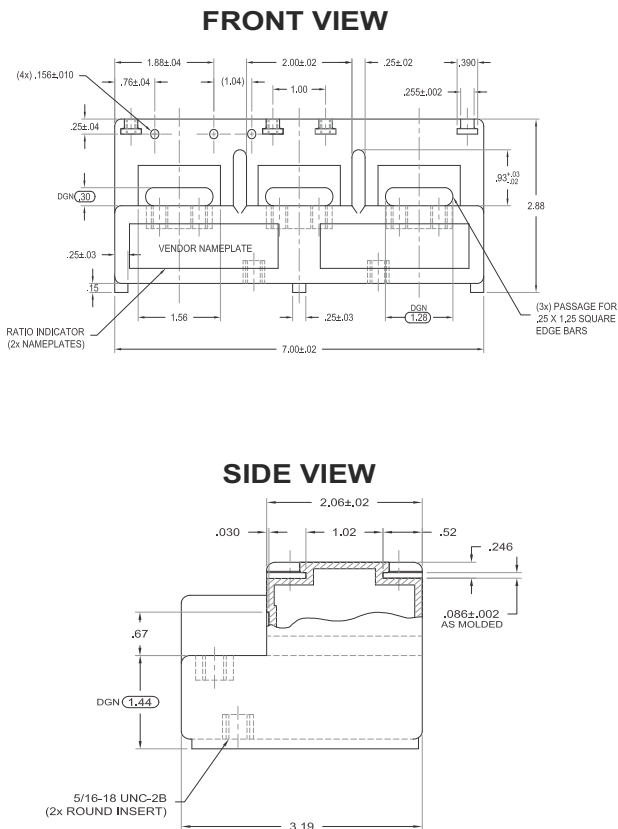
- Application - Metering
- Frequency 50 - 400hz
- AC capability 50 - 1000 Amperes
- Insulation Class 0.6kV, 10kV BIL full wave
- Other ratios available upon request
- Rating Factor: 1.0 @ 30C ambient
- Secondary leads are UL 1015 105 C, #16 AWG
- Approximate weight 6 lbs
- UL and cUL Certified per ANSI/IEEE C57.13 standard



### ELECTRICAL SPECIFICATIONS

CATALOG NUMBER	CURRENT RATIO (A)	ACCURACY AT 60HZ	BURDEN VA AT 60HZ	SECONDARY WINDING RESISTANCE (OHMS @75C)	BUS BAR
ICT21001	300:5	1%	20	0.15	YES
ICT21002	300:5	1%	20	0.15	NO

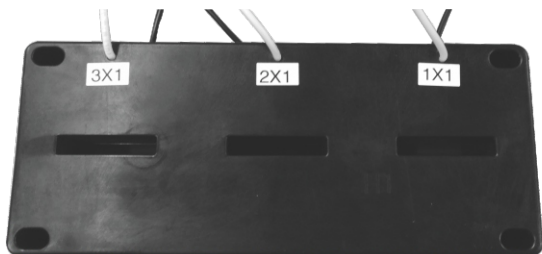
### MECHANICAL SPECIFICATIONS



# INSTRUMENT CURRENT TRANSFORMER

## 3P 1.55" x 0.25" Rectangular Window

Width 2.00"



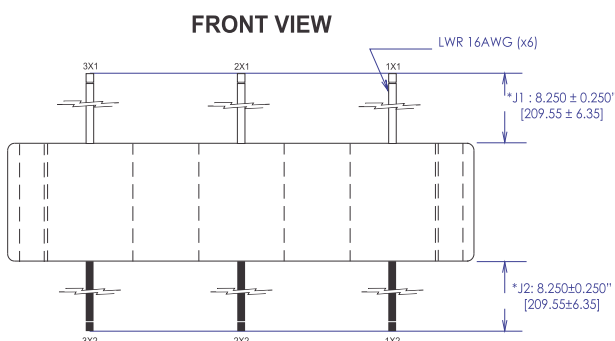
- Application - 3 Phase CT for Metering
- Frequency 50 - 400hz
- Insulation Class 0.6kV, 10kV BIL full wave
- Other ratios available upon request
- Rating Factor: 1.33 @ 30C ambient
- Secondary leads are UL 1015 105 C, #16 AWG, 8.25" long
- Approximate weight 5 lbs
- UL and cUL Certified per ANSI/IEEE C57.13 standard



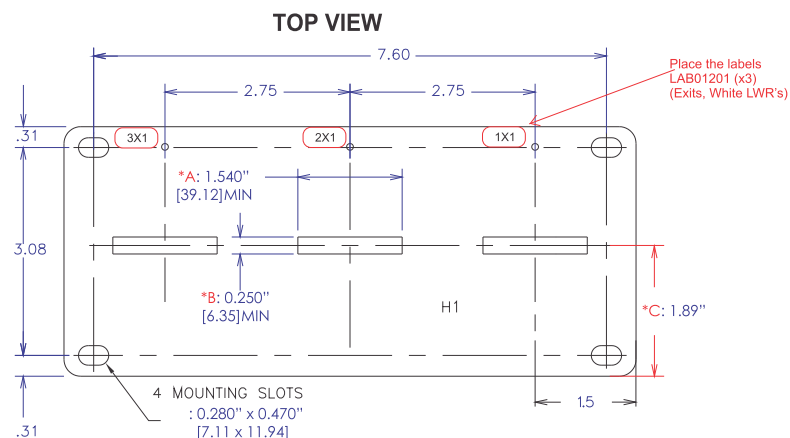
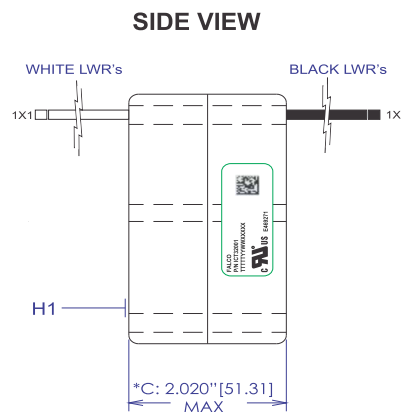
### ELECTRICAL SPECIFICATIONS

CATALOG NUMBER	CURRENT RATIO (A)	ANSI METERING CLASS AT 60HZ					SECONDARY WINDING RESISTANCE(OHMS @75C)
		B0.1	B0.2	B0.5	B0.9	B1.8	
ICT32001	600:5	0.3	0.3	0.6	0.6	0.6	0.13

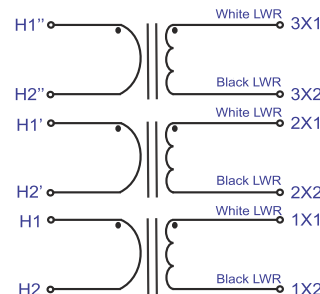
### MECHANICAL SPECIFICATIONS



Insulation class 600V, 10KV BIL  
Frequency 50-400 Hz.  
Continuous current rating factor:  
- 1.33 at 30°C ambient  
- 1.00 at 55°C ambient



### SCHEMATIC



# INSTRUMENT CURRENT TRANSFORMER



**5.50" Internal Diameter**

Width 5.00"



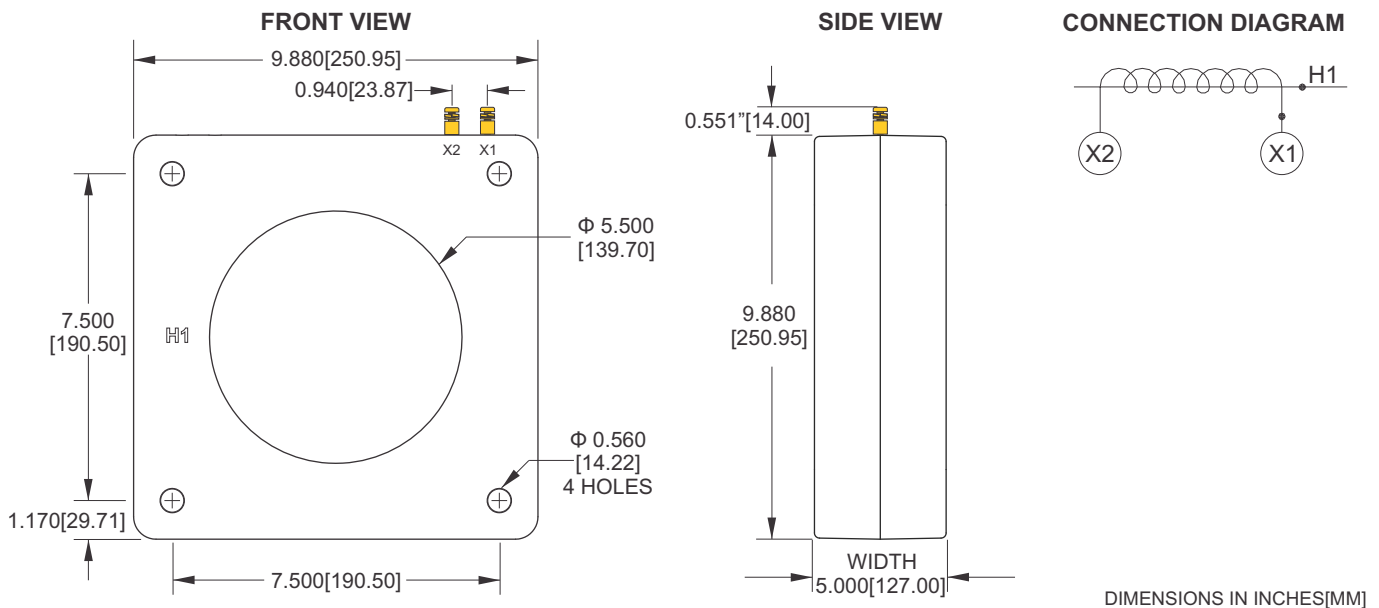
- Application - Switchgear Relay and Metering
- Frequency 50 - 400hz
- AC capability 50 - 4000 Amperes
- Insulation Class 0.6kV, 10kV BIL full wave
- Other ratios available upon request
- Secondary terminals are brass screws No. 10-32 with one flatwasher & lockwasher.
- Approximate weight 44 lbs
- UL and cUL Certified per ANSI/IEEE C57.13 standard



## ELECTRICAL SPECIFICATIONS

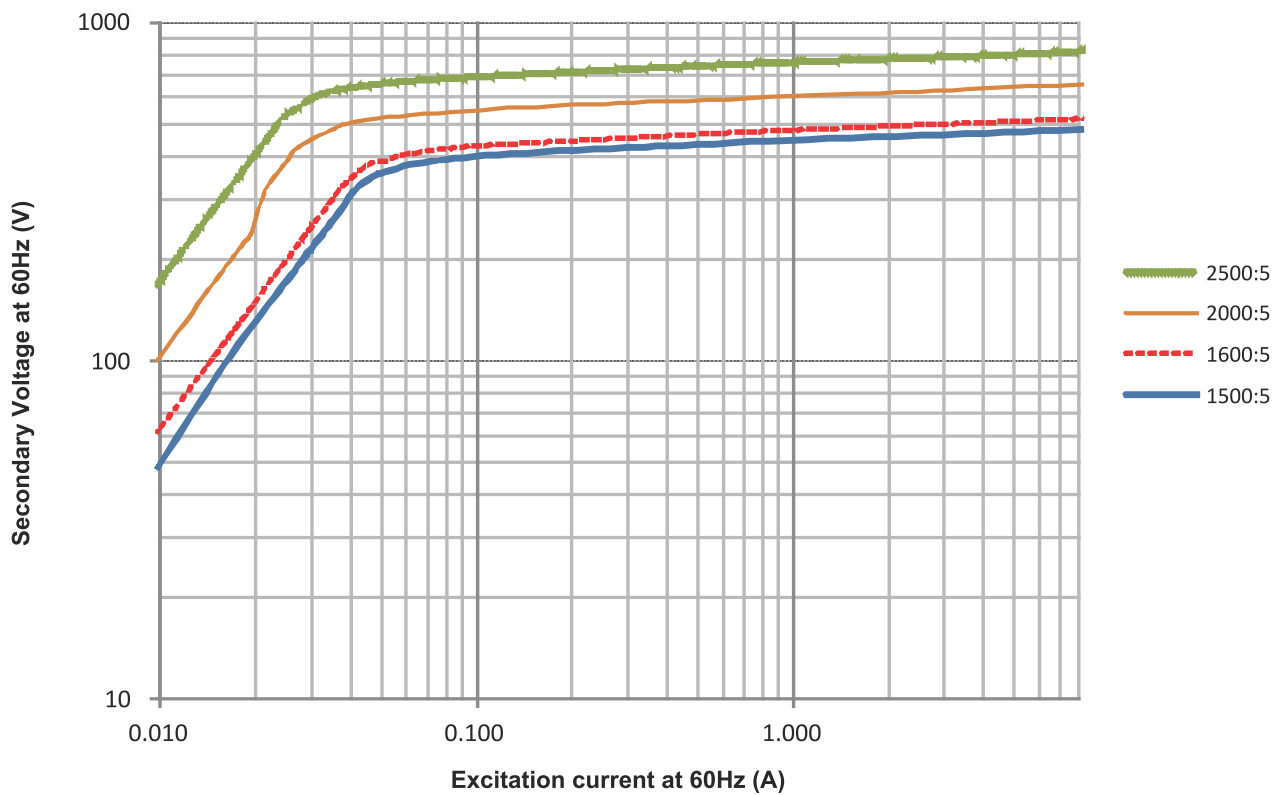
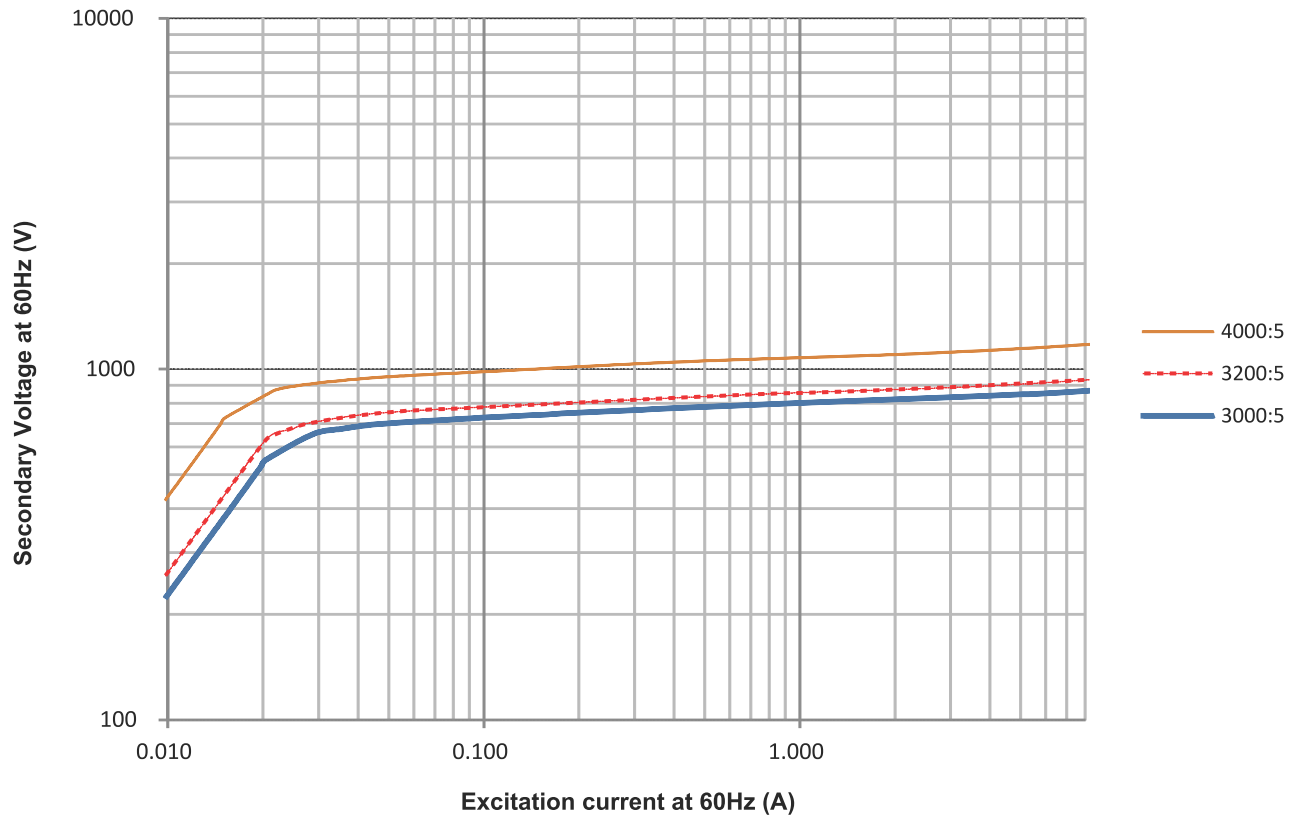
CATALOG NUMBER	CURRENT RATIO (A)	RELAY CLASS	ANSI METERING CLASS AT 60HZ					SECONDARY WINDING RESISTANCE(OHMS @75C)	CURRENT RATING FACTOR @30C
			B0.1	B0.2	B0.5	B0.9	B1.8		
	100:5	C20	1.2	1.2	2.4	4.8		0.04	2.0
ICT89001	200:5	C50	0.3	0.6	1.2	1.2	2.4	0.10	2.0
ICT89010	300:5	C100	0.3	0.3	0.6	0.6	1.2	0.14	2.0
ICT89011	400:5	C100	0.3	0.3	0.3	0.3	0.6	0.21	2.0
ICT89002	600:5	C200	0.3	0.3	0.3	0.3	0.3	0.31	2.0
ICT89012	800:5	C200	0.3	0.3	0.3	0.3	0.3	0.66	2.0
ICT89015	1000:5	C200	0.3	0.3	0.3	0.3	0.3	0.66	2.0
ICT89003	1200:5	C400	0.3	0.3	0.3	0.3	0.3	0.60	2.0
ICT89004	1500:5	C400	0.3	0.3	0.3	0.3	0.3	0.90	1.5
ICT89005	1600:5	C400	0.3	0.3	0.3	0.3	0.3	0.93	1.5
ICT89006	2000:5	C400	0.3	0.3	0.3	0.3	0.3	1.23	1.5
ICT89007	2500:5	C400	0.3	0.3	0.3	0.3	0.3	1.15	1.5
ICT89013	3000:5	C400	0.3	0.3	0.3	0.3	0.3	1.43	1.33
ICT89008	3200:5	C400	0.3	0.3	0.3	0.3	0.3	1.45	1.33
ICT89009	4000:5	C400	0.3	0.3	0.3	0.3	0.3	2.18	1.0

## MECHANICAL SPECIFICATIONS





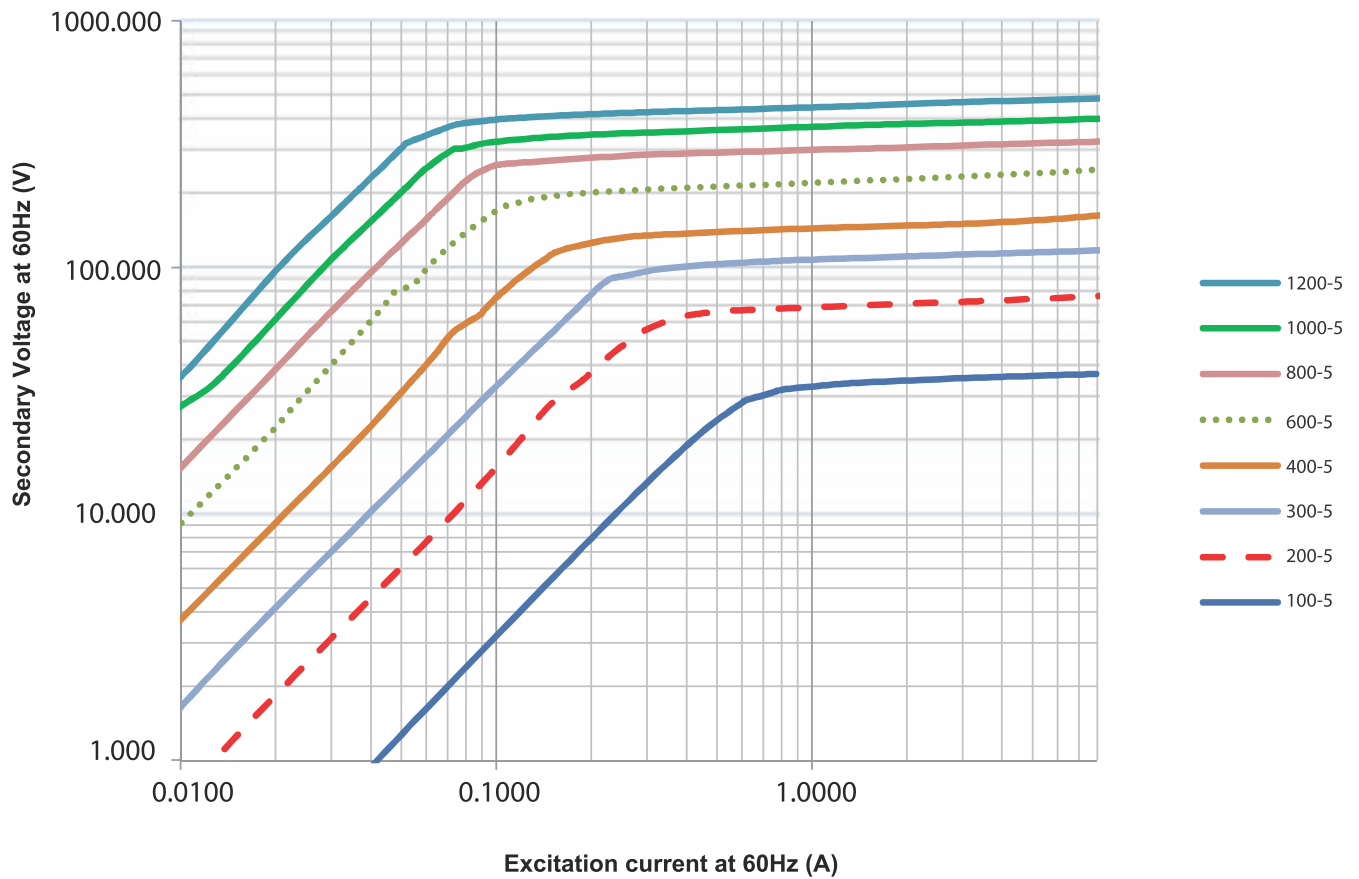
### Typical Excitation Curves



5.50" Internal Diameter

Width 5.00"

## Typical Excitation Curves



# INSTRUMENT CURRENT TRANSFORMER

5.50" Internal Diameter, Multi-Ratio  
Width 5.0"



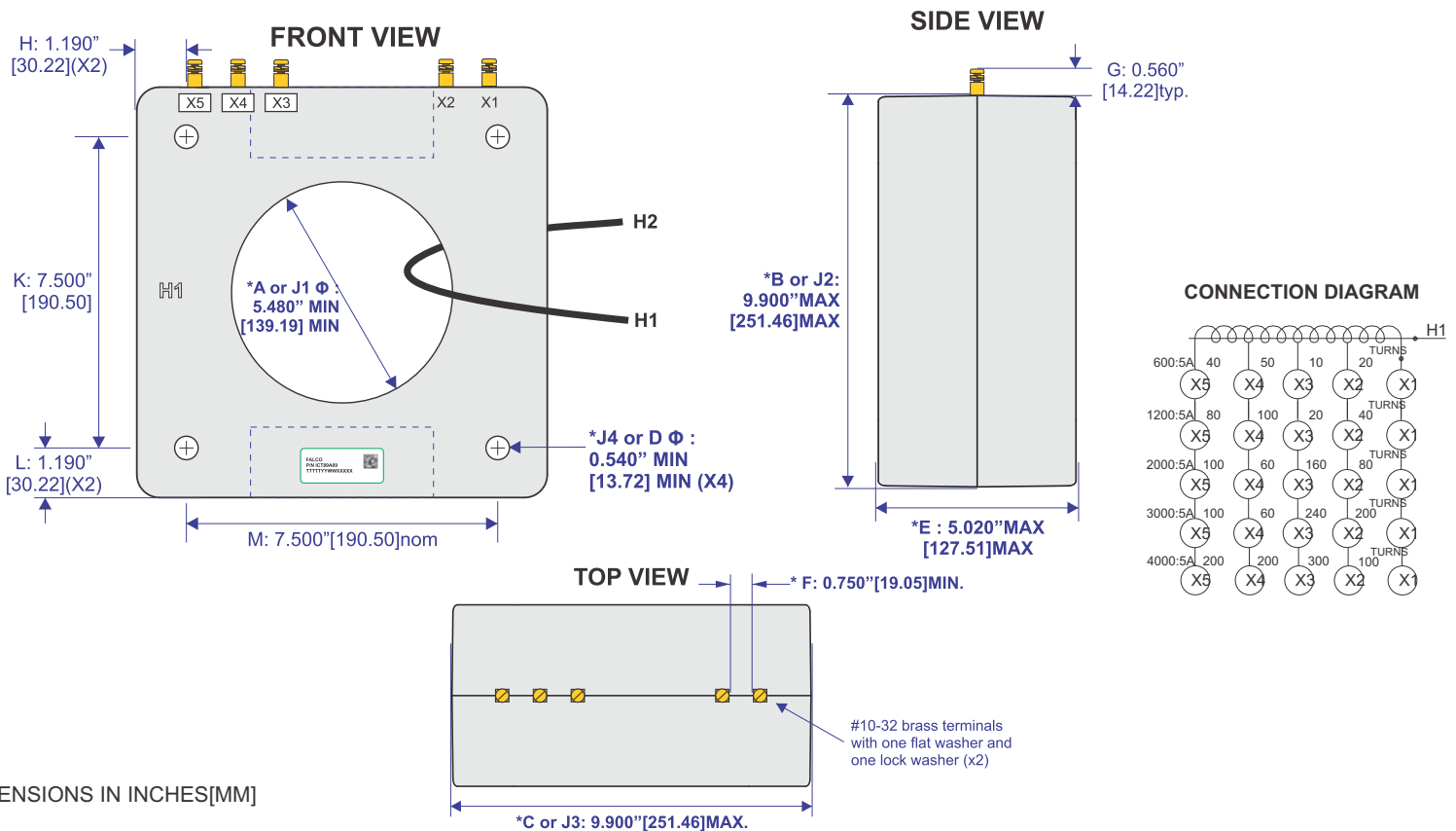
- Application - Relay and Metering
- Frequency 50 - 400hz
- AC capability 600 - 4000 Amperes
- Insulation Class 0.6kV, 10kV BIL full wave
- Other ratios available upon request
- Secondary terminals are brass screws No. 10-32 with one flatwasher & lockwasher.
- Approximate weight 45 lbs
- UL and cUL Certified per ANSI/IEEE C57.13 standard



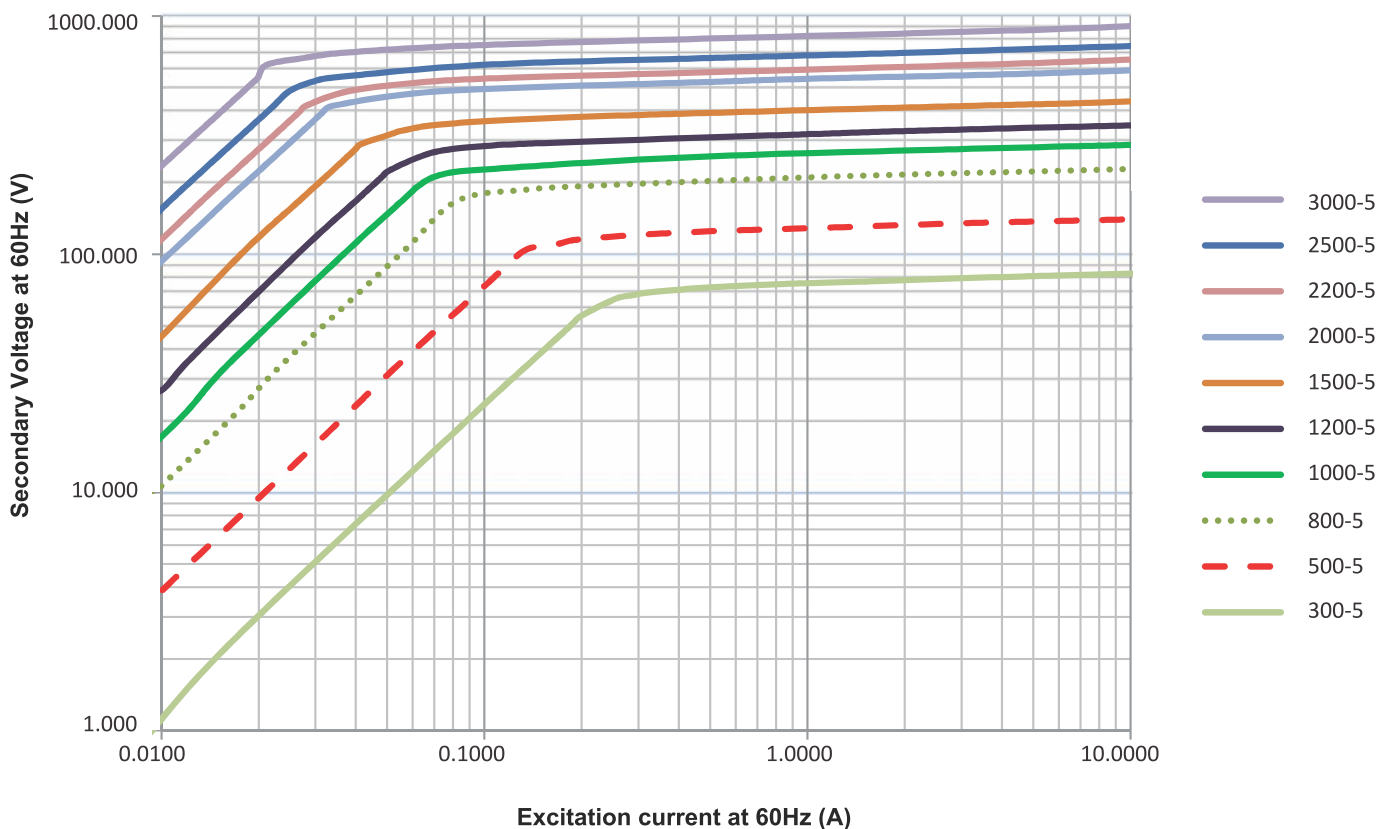
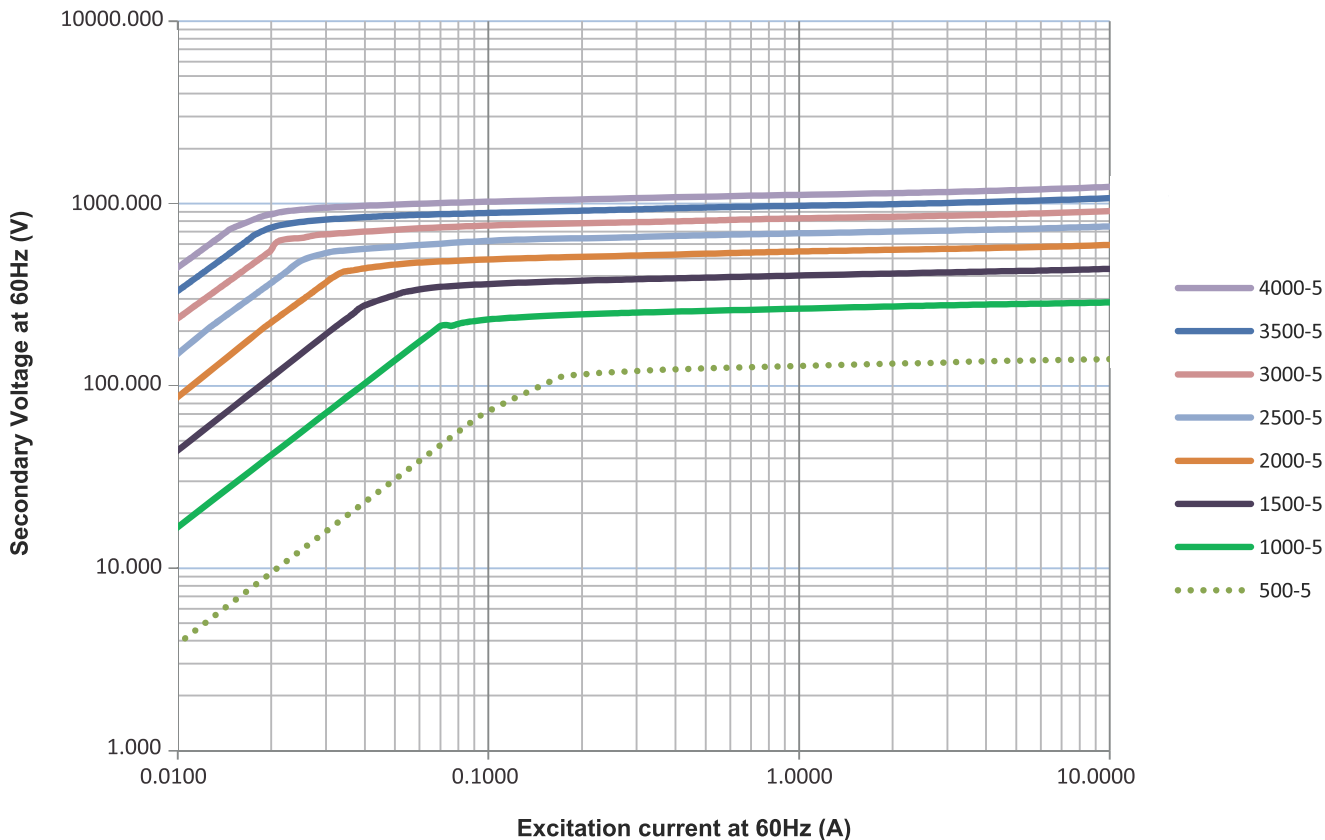
## ELECTRICAL SPECIFICATIONS

CATALOG NUMBER	CURRENT RATIO (A)	RELAY CLASS	ANSI METERING CLASS AT 60HZ					SECONDARY WINDING RESISTANCE(OHMS @75C)	CURRENT RATING FACTOR @30C
			B0.1	B0.2	B0.5	B0.9	B1.8		
ICT89A02	600:5	C200	0.3	0.3	0.3	0.6	0.6	0.31	2.0
ICT89A03	1200:5	C400	0.3	0.3	0.3	0.3	0.3	0.60	2.0
ICT89A06	2000:5	C400	0.3	0.3	0.3	0.3	0.3	1.23	1.5
ICT89A13	3000:5	C400	0.3	0.3	0.3	0.3	0.3	1.43	1.33
ICT89A09	4000:5	C400	0.3	0.3	0.3	0.3	0.3	2.18	1.0

## MECHANICAL SPECIFICATIONS



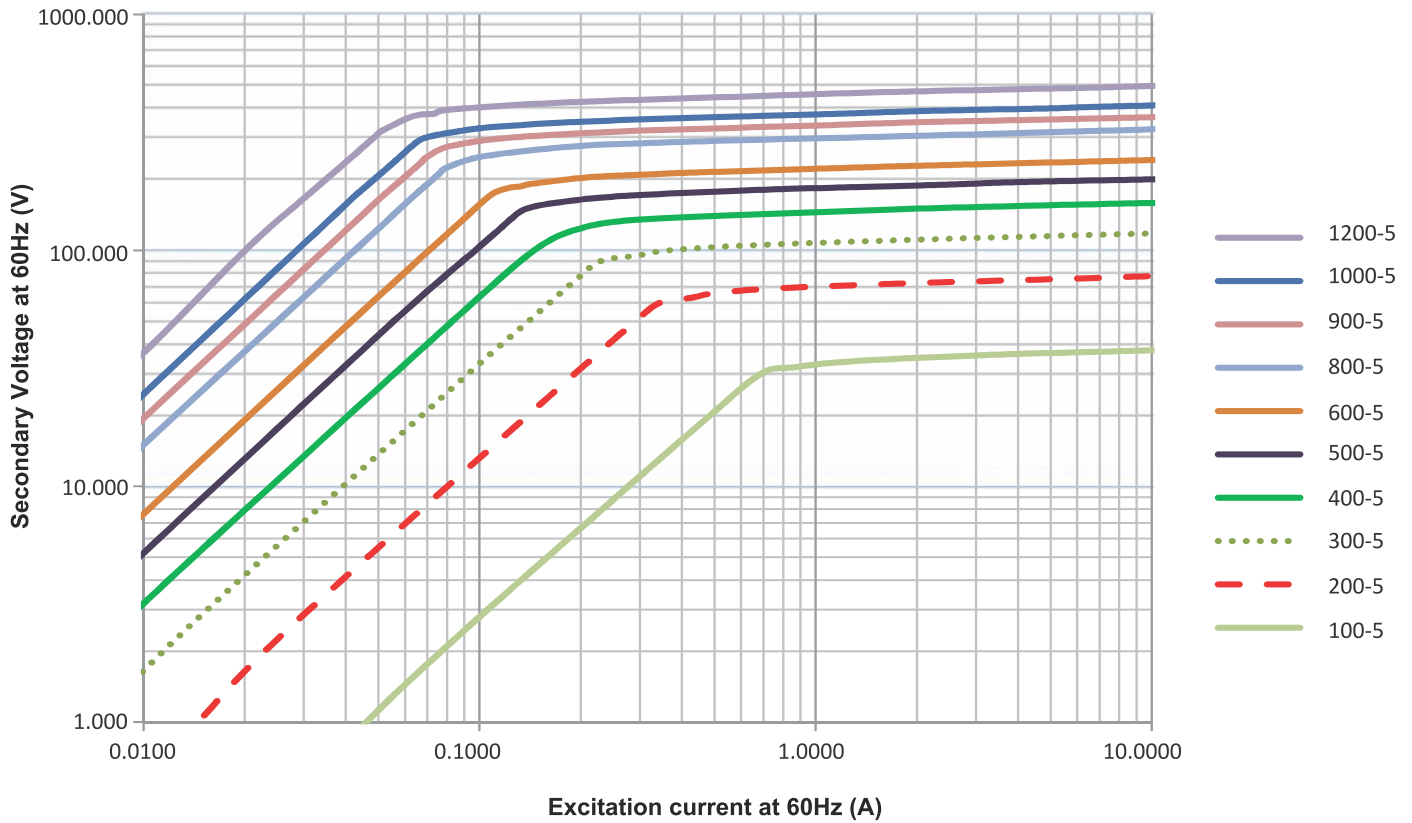
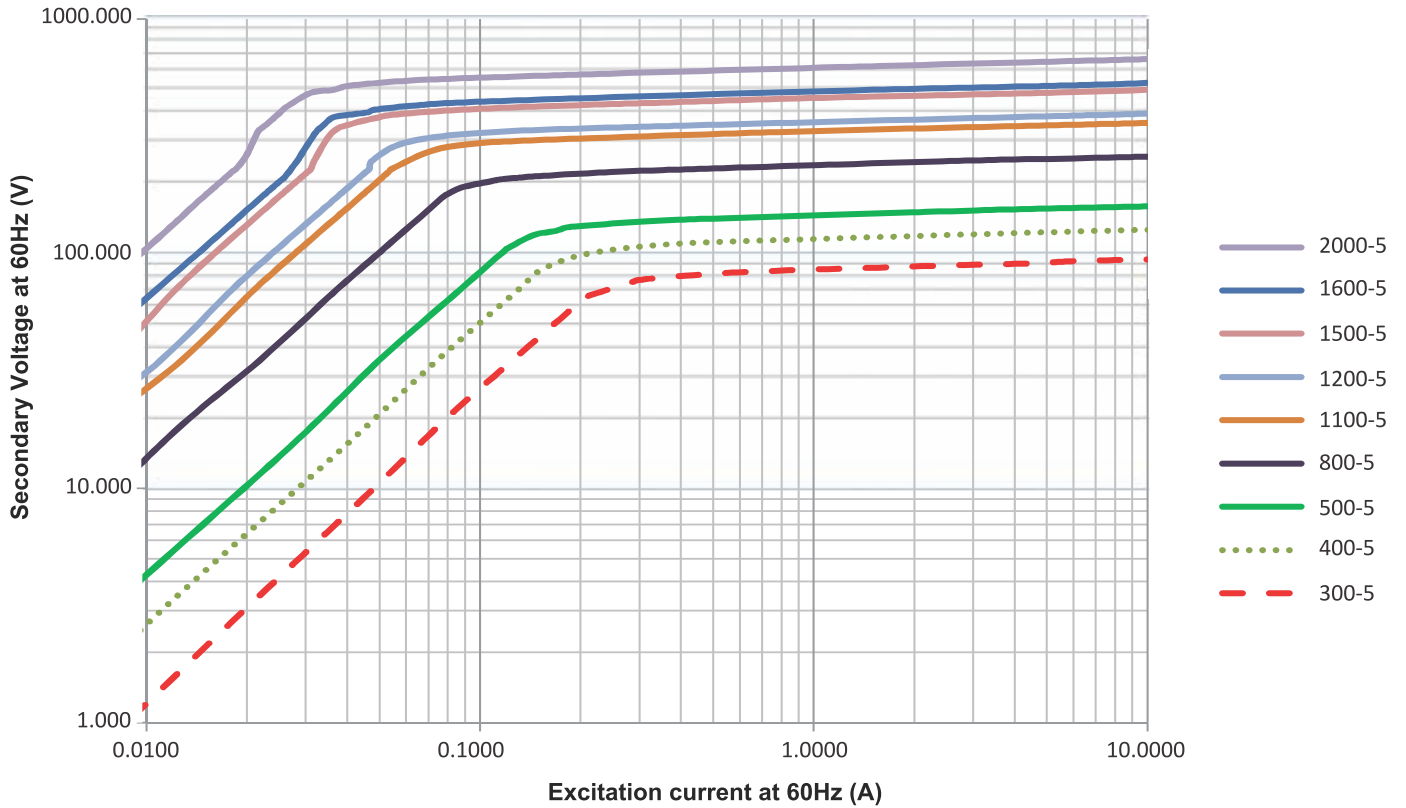
### Typical Excitation Curves



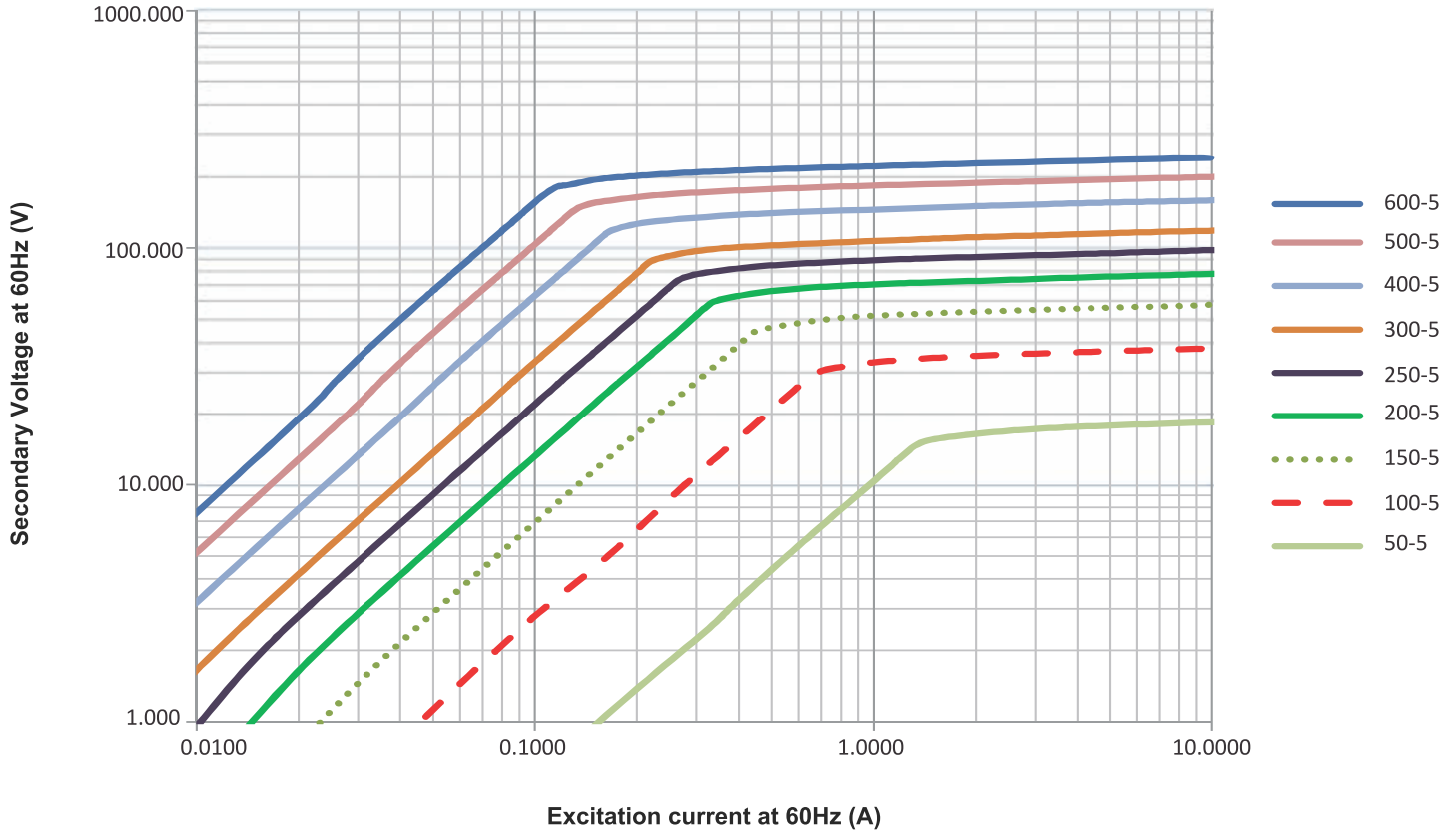
5.50" Internal Diameter, Multi-Ratio  
Width 5.0"



## Typical Excitation Curves



### Typical Excitation Curves



**5.75" Internal Diameter**  
Width 3.00"



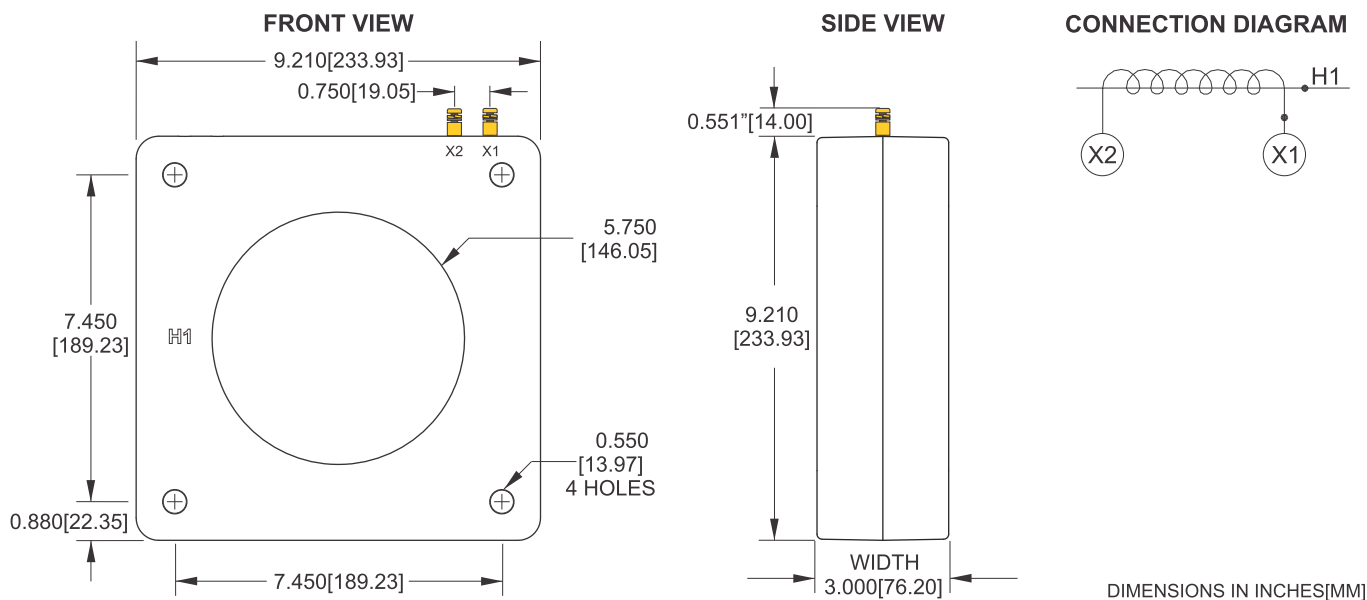
- Application - Switchgear Relay and Metering
- Frequency 50 - 400hz
- AC capability 50 - 5000 Amperes
- Insulation Class 0.6kV, 10kV BIL full wave
- Other ratios available
- Secondary terminals are brass screws No. 10-32 with one flatwasher & lockwasher.
- Approximate weight 17 lbs
- UL and cUL Certified per ANSI/IEEE C57.13 standard



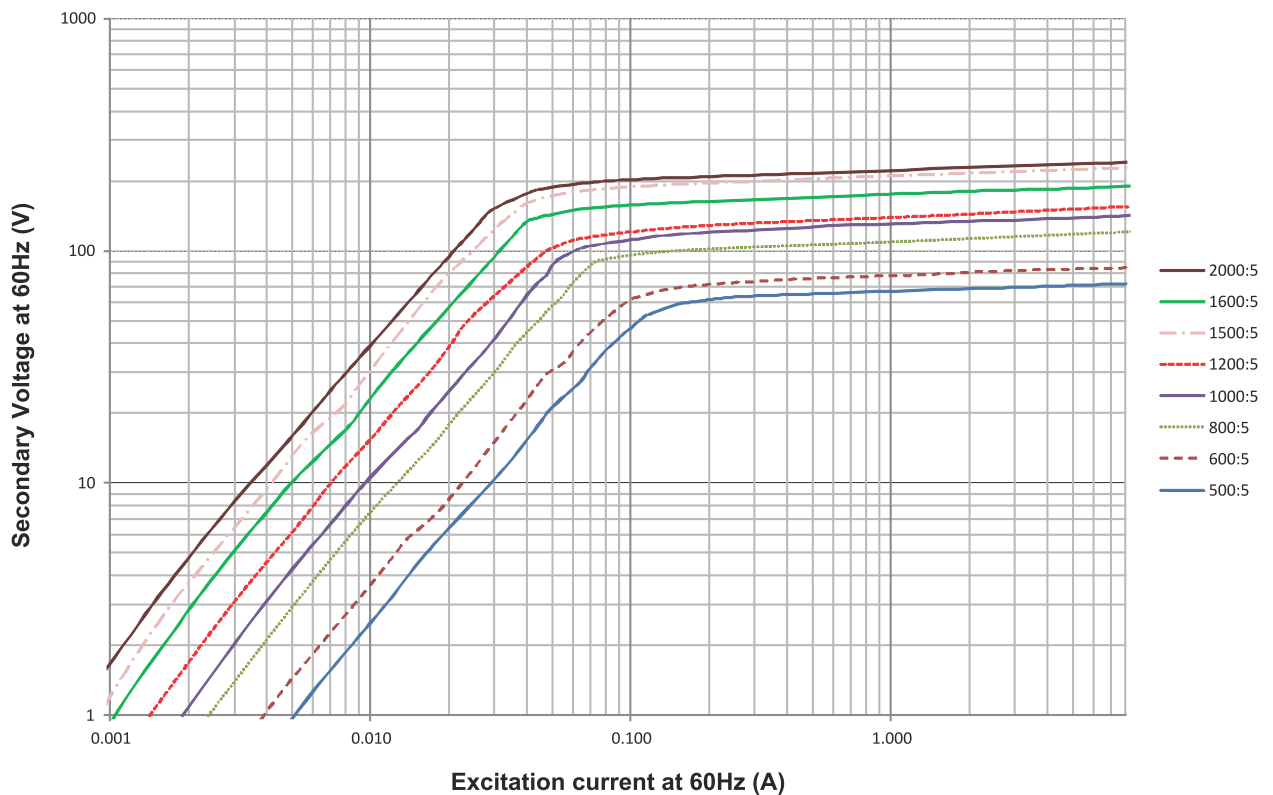
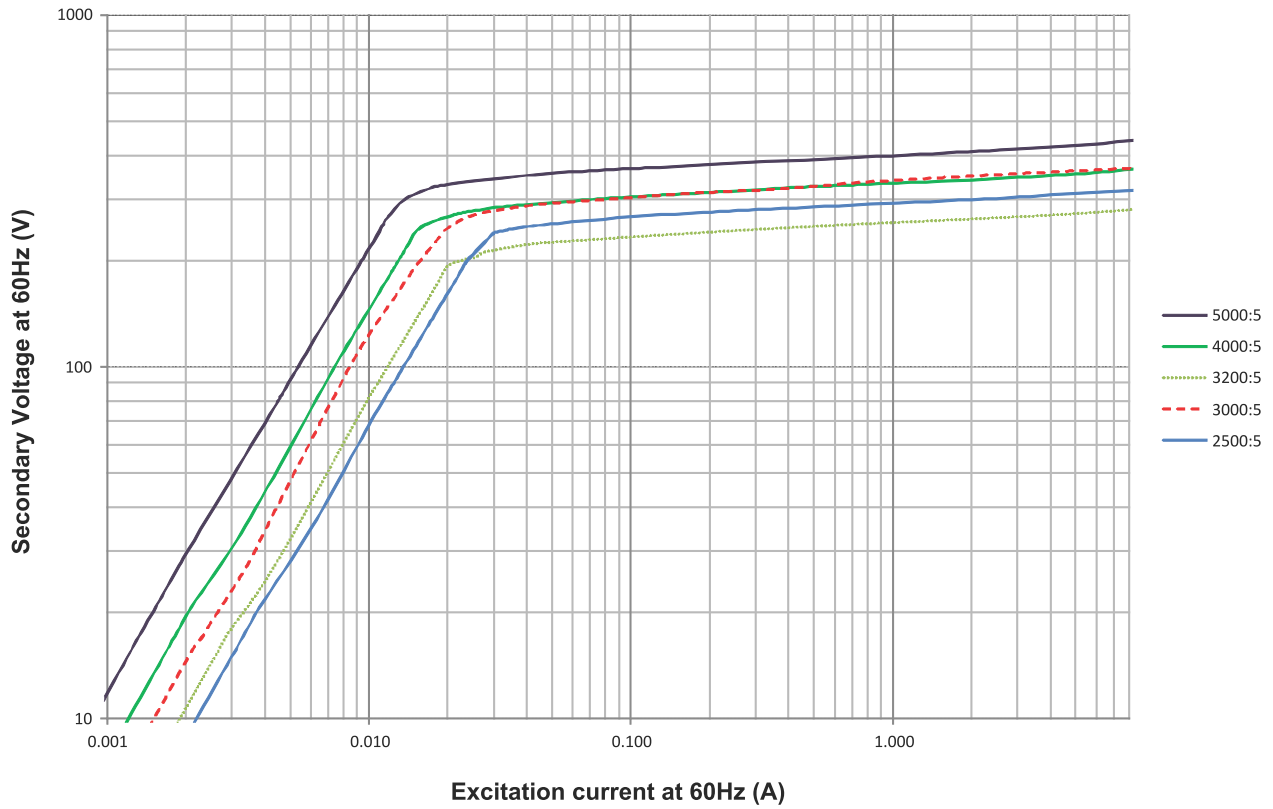
## ELECTRICAL SPECIFICATIONS

CATALOG NUMBER	CURRENT RATIO (A)	RELAY CLASS	ANSI METERING CLASS AT 60HZ					SECONDARY WINDING RESISTANCE(OHMS @75C)	CURRENT RATING FACTOR @30C
			B0.1	B0.2	B0.5	B0.9	B1.8		
ICT82014	50:5		4.8					0.02	2.0
ICT82011	75:5		2.4	4.8				0.03	2.0
ICT82012	100:5		1.2	2.4	4.8			0.03	2.0
ICT82013	150:5	C10	0.6	1.2	2.4	4.8		0.05	2.0
ICT82010	200:5	C10	0.6	0.6	1.2	2.4	4.8	0.06	2.0
ICT82015	250:5	C20	0.6	0.6	1.2	2.4	2.4	0.10	2.0
ICT82016	300:5	C20	0.3	0.3	0.6	1.2	2.4	0.10	2.0
ICT82009	400:5	C20	0.3	0.3	0.3	0.6	1.2	0.13	2.0
ICT82017	500:5	C50	0.3	0.3	0.3	0.3	0.6	0.15	2.0
ICT82018	600:5	C50	0.3	0.3	0.3	0.3	0.6	0.18	2.0
ICT82019	800:5	C50	0.3	0.3	0.3	0.3	0.6	0.32	2.0
ICT82020	1000:5	C100	0.3	0.3	0.3	0.3	0.3	0.40	1.5
ICT82006	1200:5	C100	0.3	0.3	0.3	0.3	0.3	0.48	1.5
ICT82021	1500:5	C100	0.3	0.3	0.3	0.3	0.3	0.69	1.5
ICT82007	1600:5	C100	0.3	0.3	0.3	0.3	0.3	0.64	1.5
ICT82008	2000:5	C100	0.3	0.3	0.3	0.3	0.3	1.02	1.3
ICT82022	2500:5	C200	0.3	0.3	0.3	0.3	0.3	1.32	1.0
ICT82004	3000:5	C200	0.3	0.3	0.3	0.3	0.3	1.35	1.0
ICT82003	3200:5	C200	0.3	0.3	0.3	0.3	0.3	0.77	1.0
ICT82001	4000:5	C200	0.3	0.3	0.3	0.3	0.3	1.54	1.0
ICT82002	5000:5	C200	0.3	0.3	0.3	0.3	0.3	1.39	1.0

## MECHANICAL SPECIFICATIONS



### Typical Excitation Curves

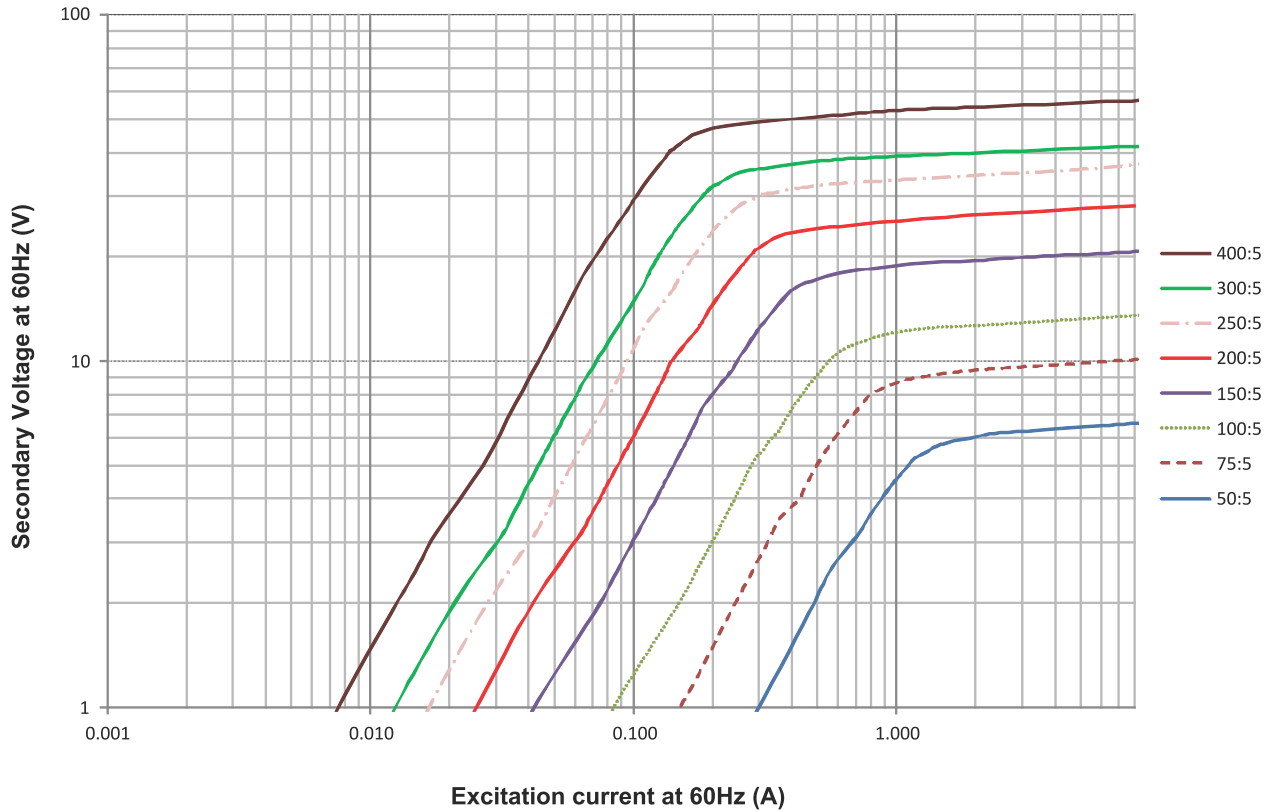




5.75" Internal Diameter

Width 3.00"

Typical Excitation curves



# INSTRUMENT CURRENT TRANSFORMER

**5.75" Internal Diameter, Multi-Ratio**  
Width 3.00"



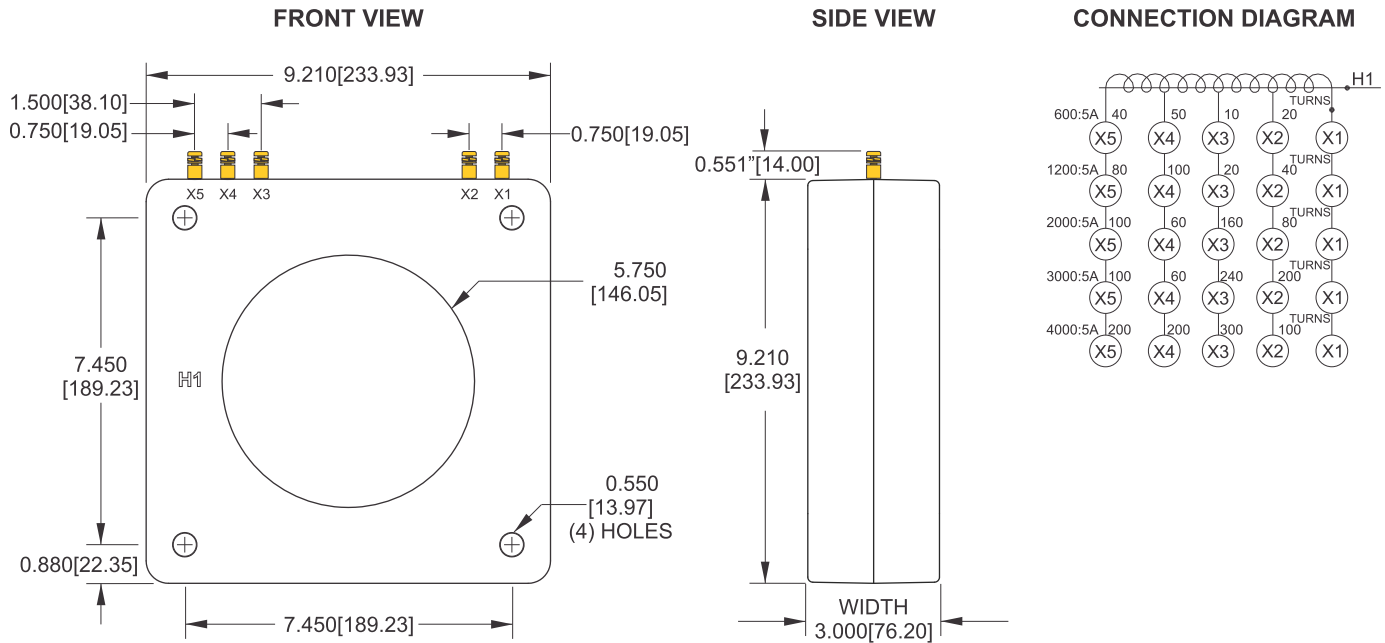
- Application - Switchgear Relay and Metering
- Frequency 50 - 400hz
- AC capability 600 - 5000 Amperes
- Insulation Class 0.6kV, 10kV BIL full wave
- Excitation curves upon request
- Secondary terminals are brass screws No. 10-32 with one flatwasher & lockwasher.
- Approximate weight 18 lbs
- UL and cUL Certified per ANSI/IEEE C57.13 standard



## ELECTRICAL SPECIFICATIONS

CATALOG NUMBER	CURRENT RATIO (A)	RELAY CLASS	ANSI METERING CLASS AT 60HZ					SECONDARY WINDING RESISTANCE(OHMS @75C)	CURRENT RATING FACTOR @30C
			B0.1	B0.2	B0.5	B0.9	B1.8		
ICT82A18	600:5	C50	0.3	0.3	0.3	0.3	0.6	0.20	2.0
ICT82A02	1200:5	C100	0.3	0.3	0.3	0.3	0.3	0.53	1.5
ICT82A08	2000:5	C100	0.3	0.3	0.3	0.3	0.3	1.12	1.3
ICT82A04	3000:5	C200	0.3	0.3	0.3	0.3	0.3	1.48	1.0
ICT82A03	3200:5	C200	0.3	0.3	0.3	0.3	0.6	1.02	1.0
ICT82A01	4000:5	C200	0.3	0.3	0.3	0.3	0.3	1.69	1.0
ICT82A06	5000:5	C200	0.3	0.3	0.3	0.3	0.3	1.53	1.0

## MECHANICAL SPECIFICATIONS



DIMENSIONS IN INCHES[MM]

# INSTRUMENT CURRENT TRANSFORMER



**6.30" Internal Diameter**  
Width 1.28"



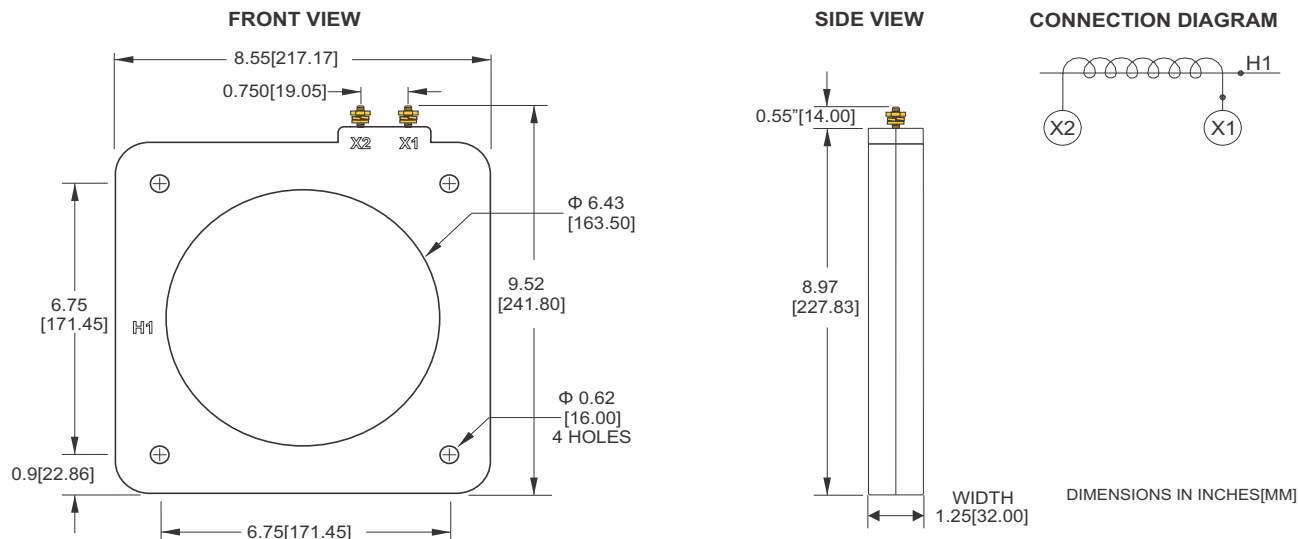
- Application - Metering
- Frequency 50 - 400hz
- AC capability 50 - 5000 Amperes
- Insulation Class 0.6kV, 10kV BIL full wave
- Other ratios available
- Secondary terminals are brass screws No. 10-32 with one flatwasher, lockwasher and hexagonal nut.
- Approximate weight 4.5 lbs
- UL and cUL Certified per ANSI/IEEE C57.13 standard

US E469271    
 US 272140

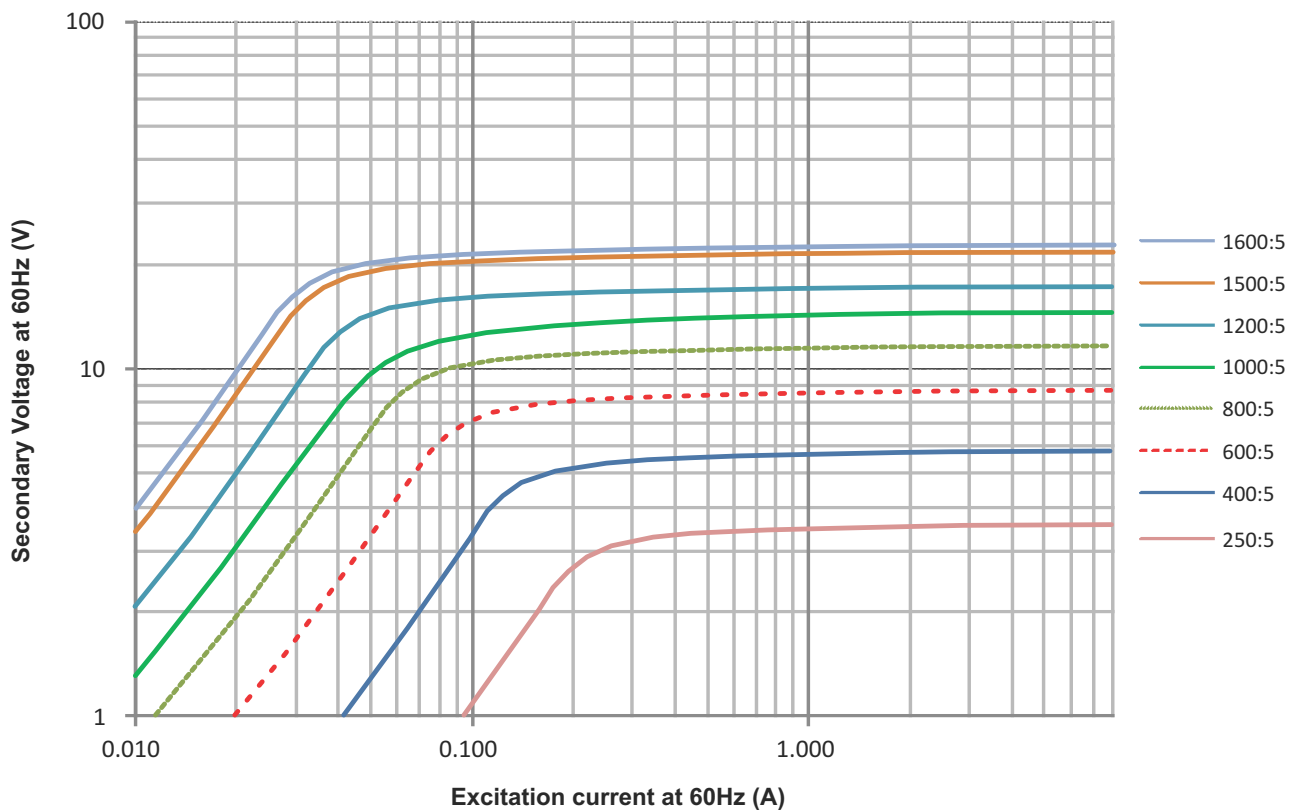
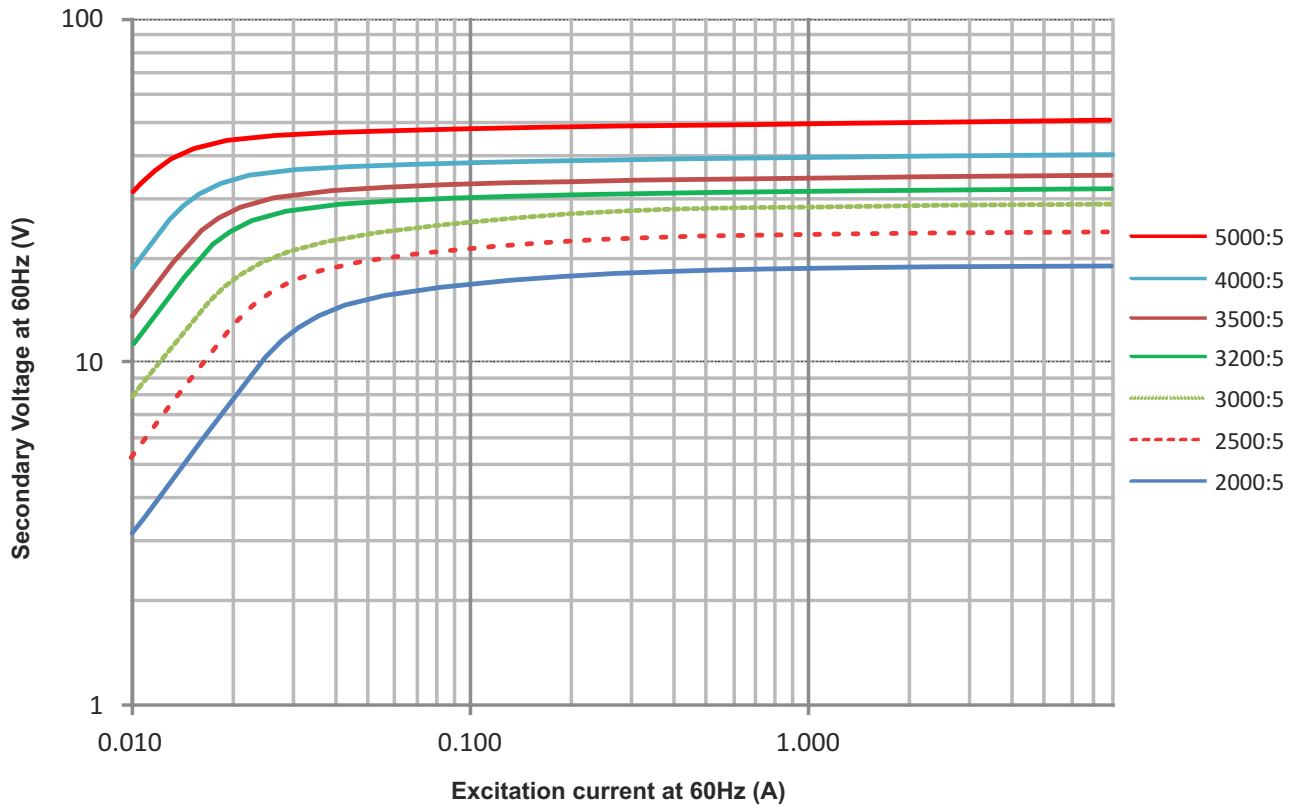
## ELECTRICAL SPECIFICATIONS

CATALOG NUMBER	CURRENT RATIO (A)	ANSI METERING CLASS AT 60HZ					SECONDARY WINDING RESISTANCE(OHMS @75C)	CURRENT RATING FACTOR @30C
		B0.1	B0.2	B0.5	B0.9	B1.8		
ICT80013	250:5	1.2					0.06	2.00
ICT80008	400:5	2.4	2.4	2.4			0.10	2.00
ICT80006	600:5	0.3	0.3	1.2	1.2		0.47	2.00
ICT80009	800:5	0.3	0.3	0.6	1.2	2.4	0.12	2.00
ICT80010	1000:5	0.3	0.3	0.3	0.6	1.2	0.23	2.00
ICT80002	1200:5	0.3	0.3	0.3	0.6	1.2	0.38	1.50
ICT80011	1500:5	0.3	0.3	0.3	0.3	0.6	0.47	1.50
ICT80005	1600:5	0.3	0.3	0.3	0.3	0.6	0.50	1.50
ICT80012	2000:5	0.3	0.3	0.3	0.3	0.6	0.43	1.50
ICT80003	2500:5	0.3	0.3	0.3	0.3	0.6	0.56	1.33
ICT80001	3000:5	0.3	0.3	0.3	0.3	0.6	0.69	1.33
ICT80007	3200:5	0.3	0.3	0.3	0.3	0.3	0.74	1.33
ICT80014	3500:5	0.3	0.3	0.3	0.3	0.3	0.80	1.33
ICT80004	4000:5	0.3	0.3	0.3	0.3	0.3	0.95	1.00
ICT80015	5000:5	0.3	0.3	0.3	0.3	0.3	1.25	1.00

## MECHANICAL SPECIFICATIONS



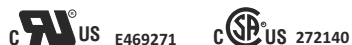
### Typical Excitation Curves



**6.50" Internal Diameter**  
Width 5.00"



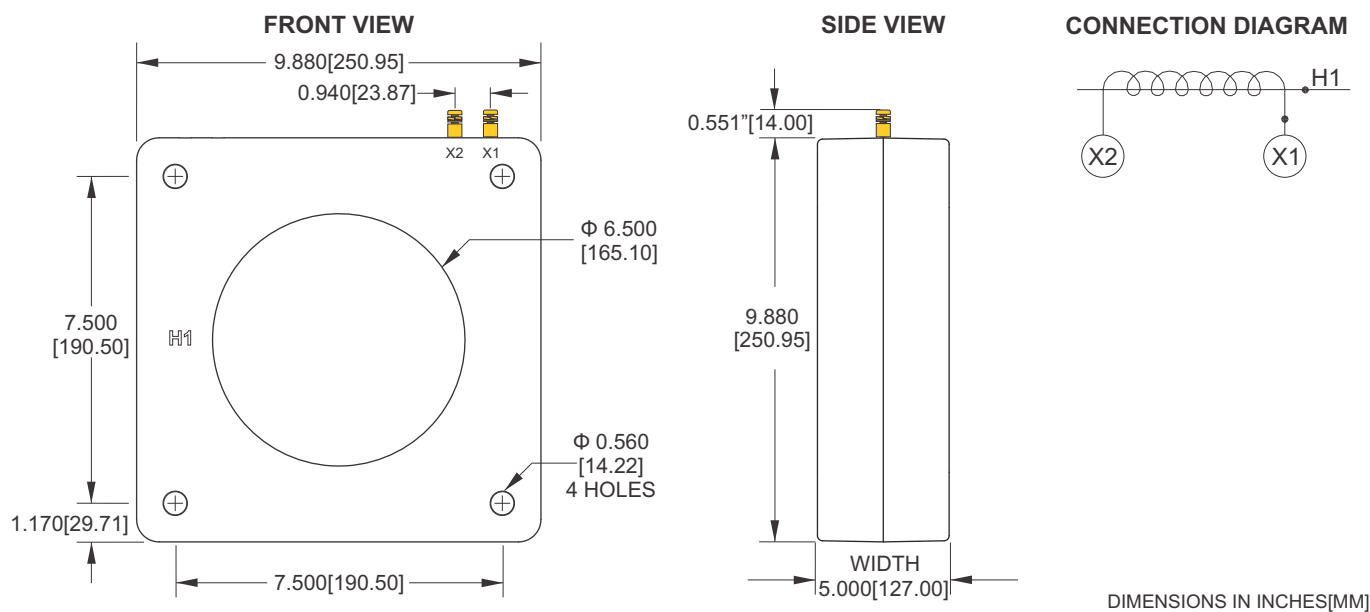
- Application - Relay and Metering
- Frequency 50 - 400hz
- AC capability 50 - 4000 Amperes
- Insulation Class 0.6kV, 10kV BIL full wave
- Other ratios available
- Secondary terminals are brass screws No. 10-32 with one flatwasher, lockwasher.
- Approximate weight 35 lbs
- UL and cUL Certified per ANSI/IEEE C57.13 standard



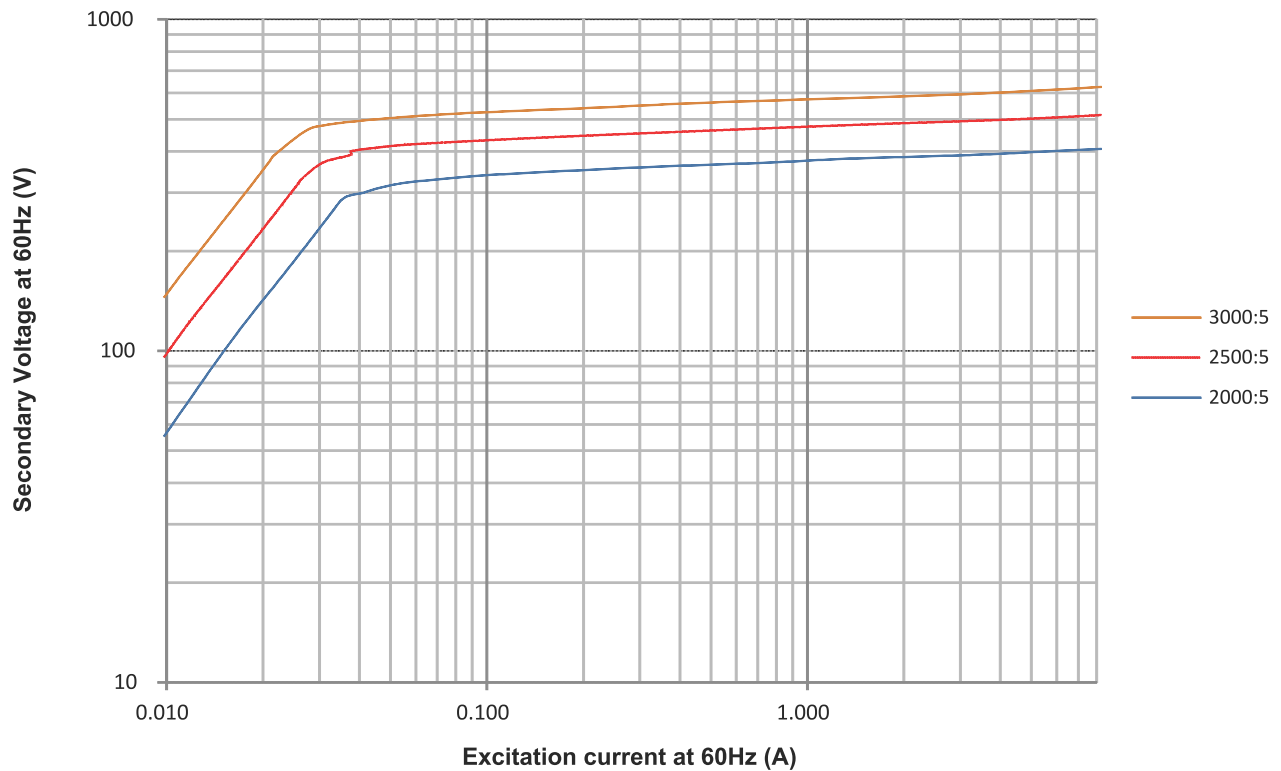
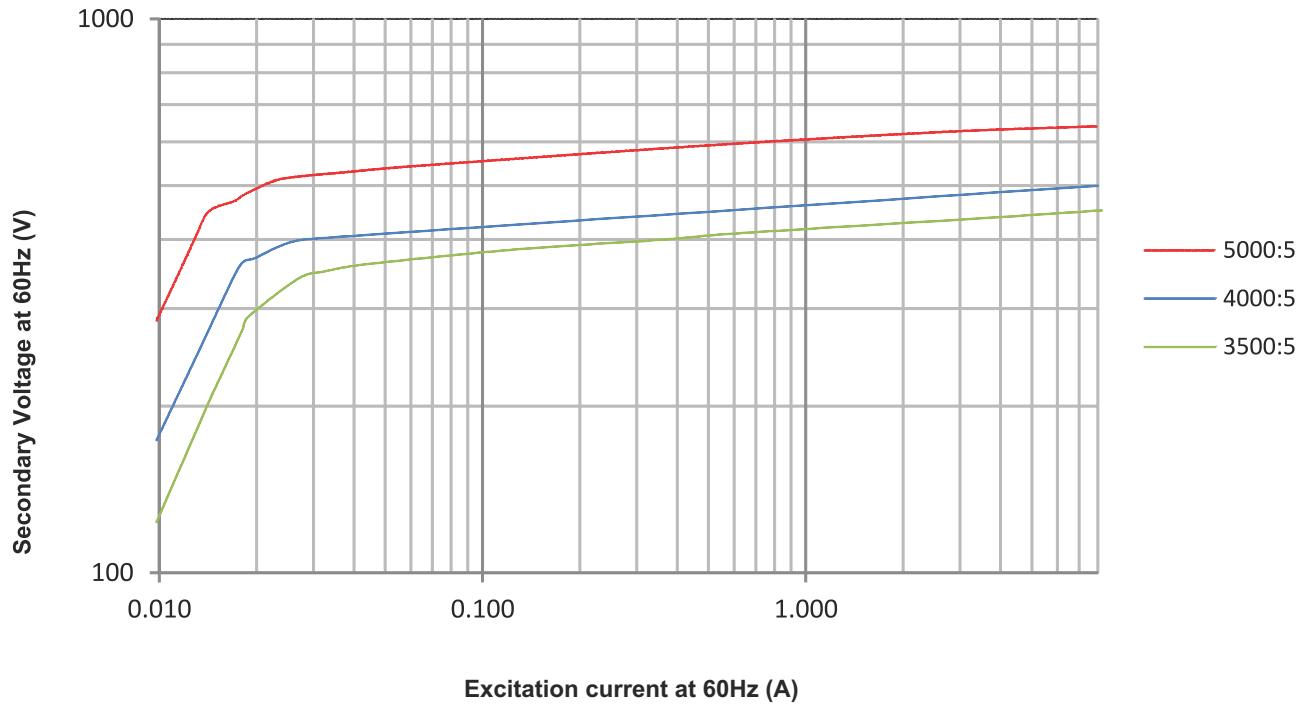
## ELECTRICAL SPECIFICATIONS

CATALOG NUMBER	CURRENT RATIO (A)	RELAY CLASS	ANSI METERING CLASS AT 60HZ					SECONDARY WINDING RESISTANCE(OHMS @75C)	CURRENT RATING FACTOR @30C
			B0.1	B0.2	B0.5	B0.9	B1.8		
ICT87010	100:5	C20	1.2	2.4	4.8	4.8		0.08	2.0
ICT87011	200:5	C20	0.6	0.6	1.2	2.4	2.4	0.17	2.0
ICT87009	600:5	C100	0.3	0.3	0.3	0.3	0.6	0.52	2.0
ICT87006	800:5	C100	0.3	0.3	0.3	0.3	0.3	0.60	2.0
ICT87001	1200:5	C200	0.3	0.3	0.3	0.3	0.3	1.15	1.5
ICT87002	1500:5	C200	0.3	0.3	0.3	0.3	0.3	1.20	1.5
ICT87003	1600:5	C200	0.3	0.3	0.3	0.3	0.3	1.27	1.5
ICT87007	2000:5	C200	0.3	0.3	0.3	0.3	0.3	1.13	1.5
ICT87012	2500:5	C200	0.3	0.3	0.3	0.3	0.3	1.15	1.5
ICT87008	3000:5	C400	0.3	0.3	0.3	0.3	0.3	1.40	1.0
ICT87013	3500:5	C200	0.3	0.3	0.3	0.3	0.3	1.84	1.0
ICT87004	4000:5	C200	0.3	0.3	0.3	0.3	0.3	1.96	1.0

## MECHANICAL SPECIFICATIONS



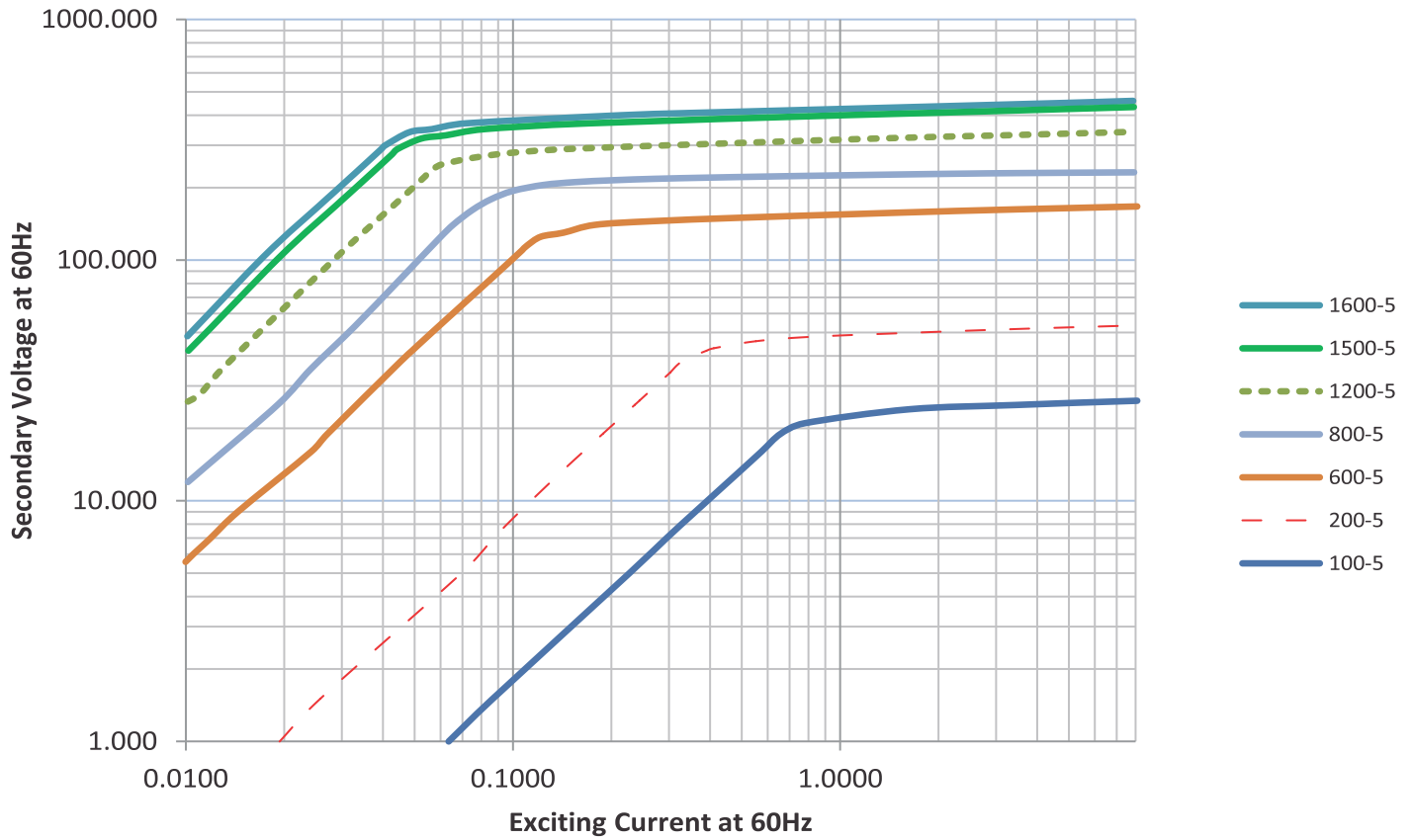
### Typical Excitation Curves



6.50" Internal Diameter

Width 5.00"

Typical Excitation Curves



# INSTRUMENT CURRENT TRANSFORMER

**6.50" Internal Diameter, Multi-Ratio**  
Width 5.0"



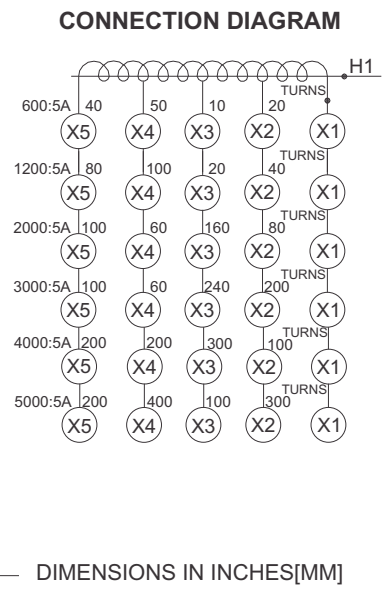
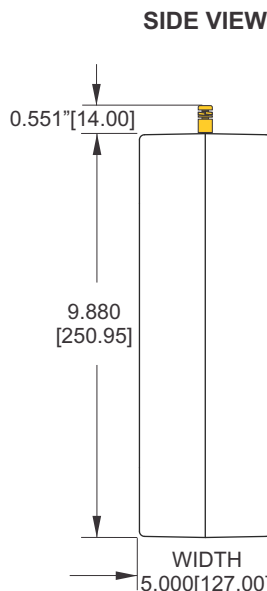
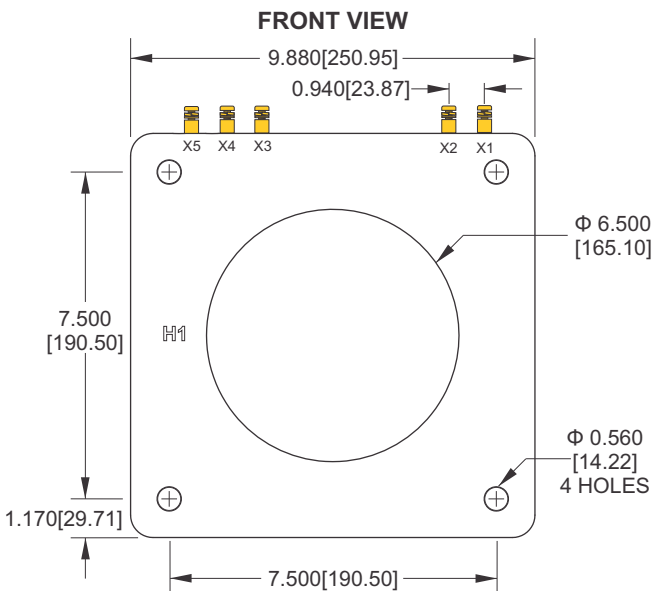
- Application - Relay and Metering
- Frequency 50 - 400hz
- AC capability 600 - 4000 Amperes
- Insulation Class 0.6kV, 10kV BIL full wave
- Other ratios available upon request
- Secondary terminals are brass screws No. 10-32 with one flatwasher & lockwasher.
- Approximate weight 35 lbs
- UL and cUL Certified per ANSI/IEEE C57.13 standard



## ELECTRICAL SPECIFICATIONS

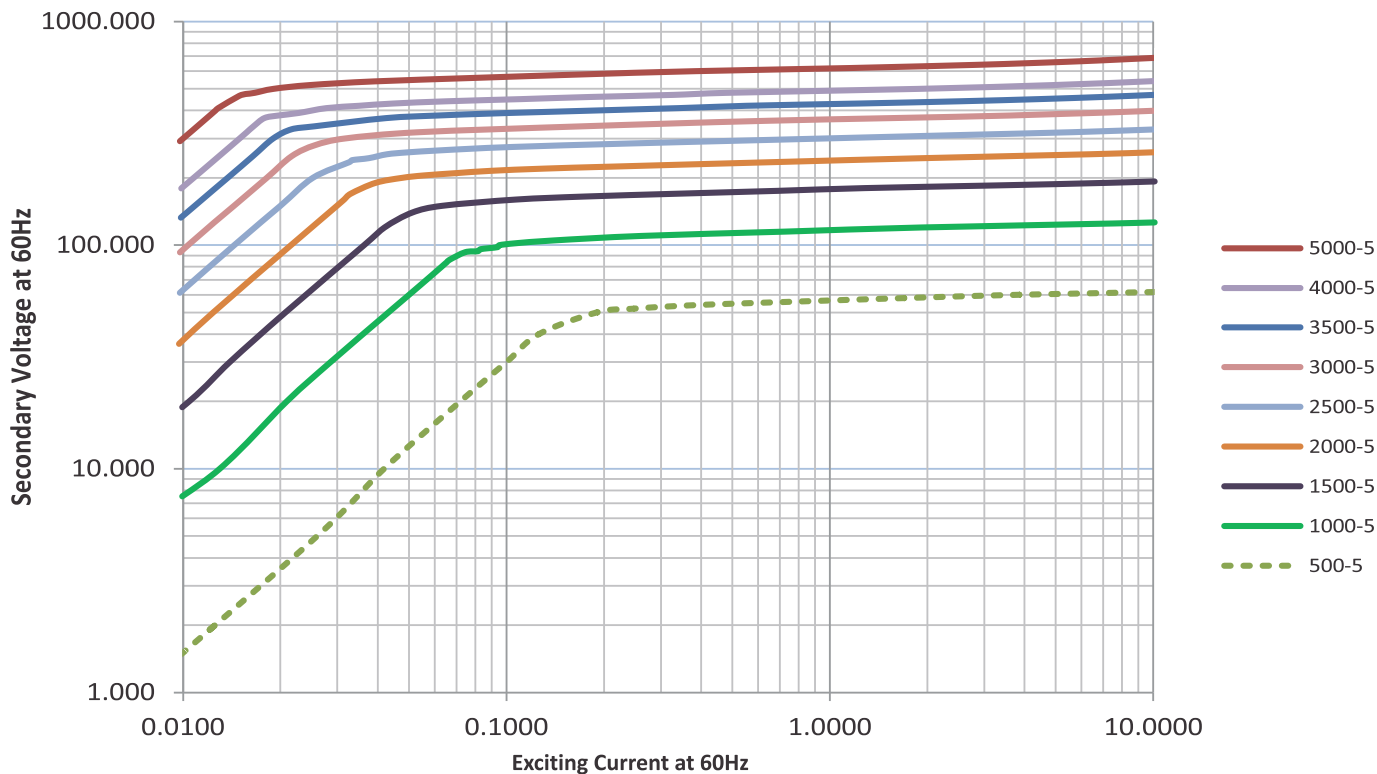
CATALOG NUMBER	CURRENT RATIO (A)	RELAY CLASS	ANSI METERING CLASS AT 60HZ					SECONDARY WINDING RESISTANCE(OHMS @75C)	CURRENT RATING FACTOR @30C
			B0.1	B0.2	B0.5	B0.9	B1.8		
ICT87A09	600:5	C100	0.3	0.3	0.3	0.3	0.6	0.52	2.0
ICT87A01	1200:5	C200	0.3	0.3	0.3	0.3	0.3	0.96	1.5
ICT87A07	2000:5	C200	0.3	0.3	0.3	0.3	0.3	1.13	1.5
ICT87A08	3000:5	C400	0.3	0.3	0.3	0.3	0.3	1.40	1.33
ICT87A04	4000:5	C200	0.3	0.3	0.3	0.3	0.3	1.91	1.0

## MECHANICAL SPECIFICATIONS

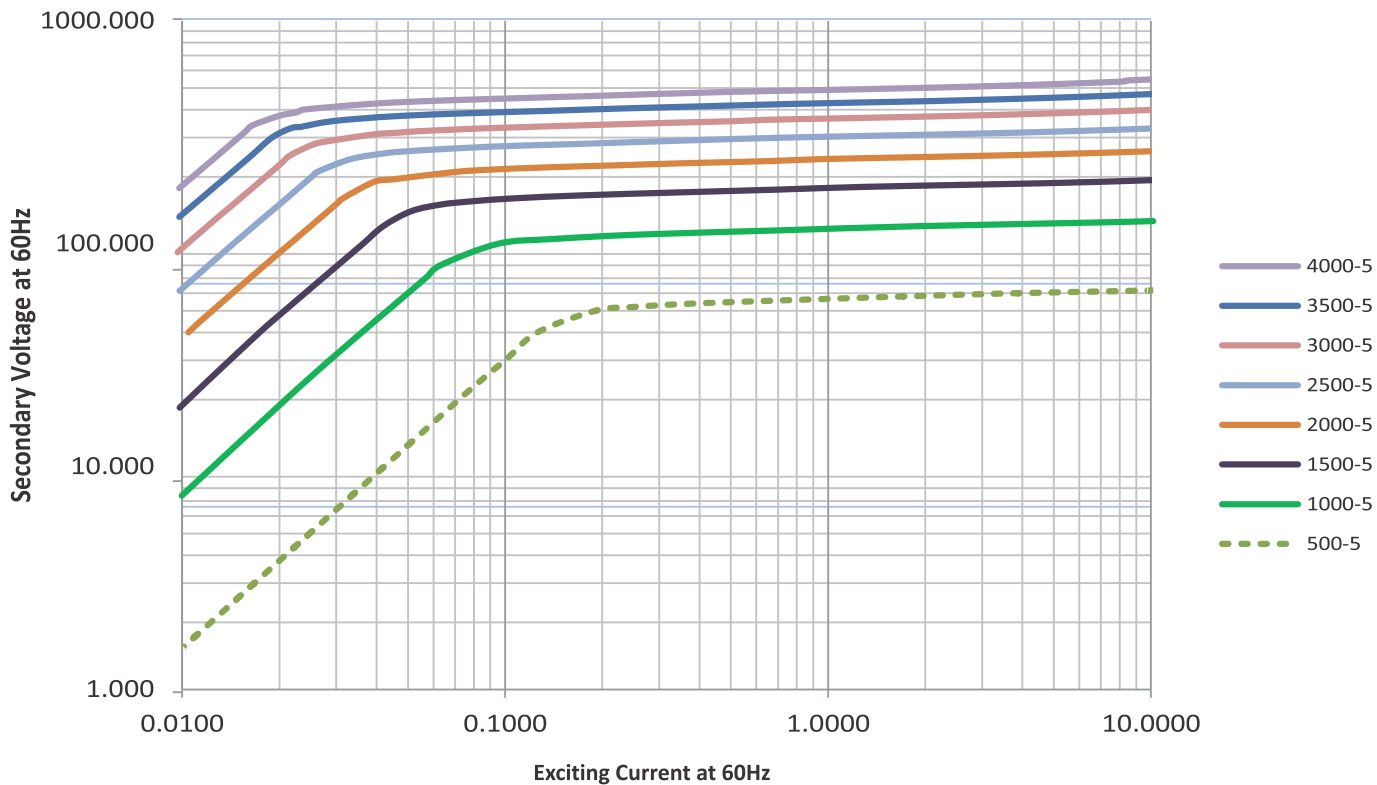




### Typical Excitation Curves



### Typical Excitation Curves



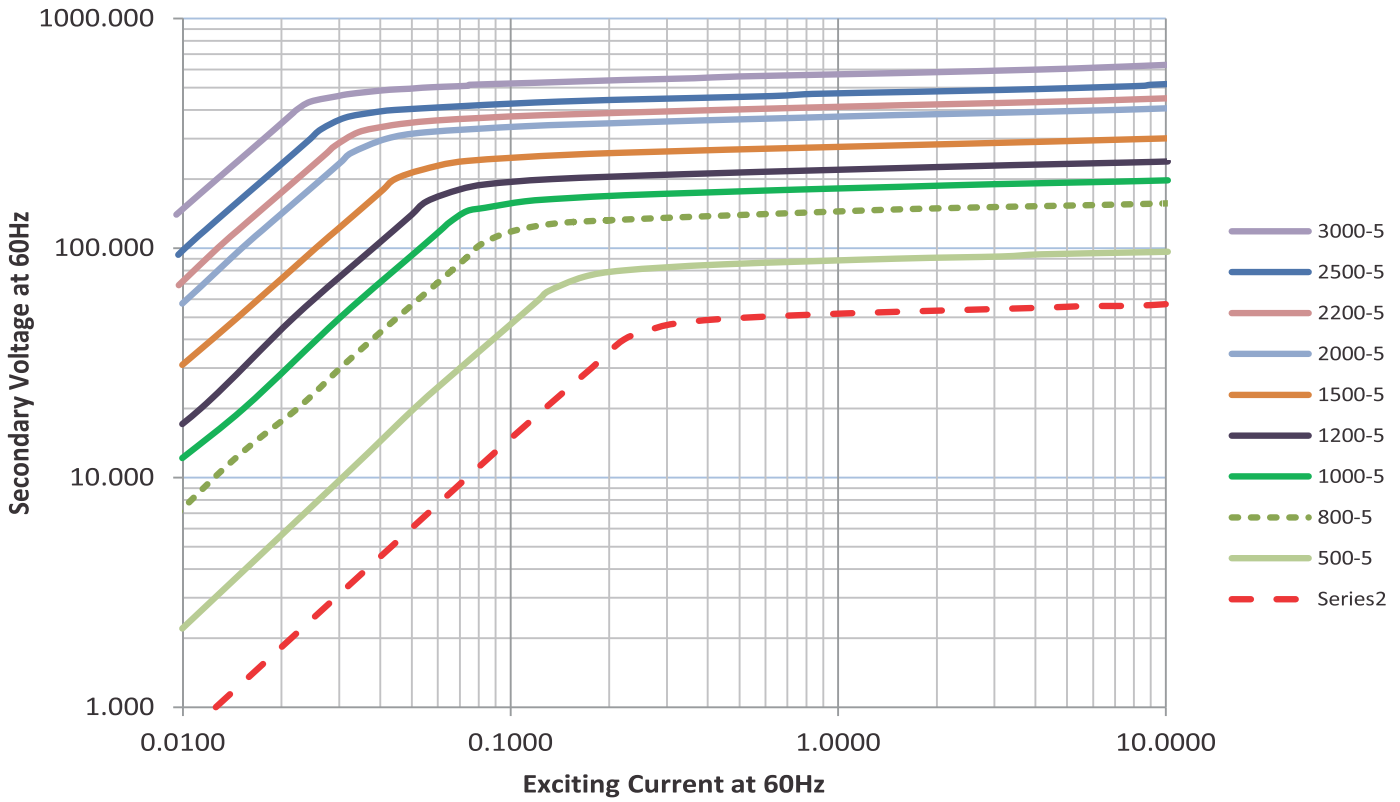
# INSTRUMENT CURRENT TRANSFORMER

6.50" Internal Diameter, Multi-Ratio

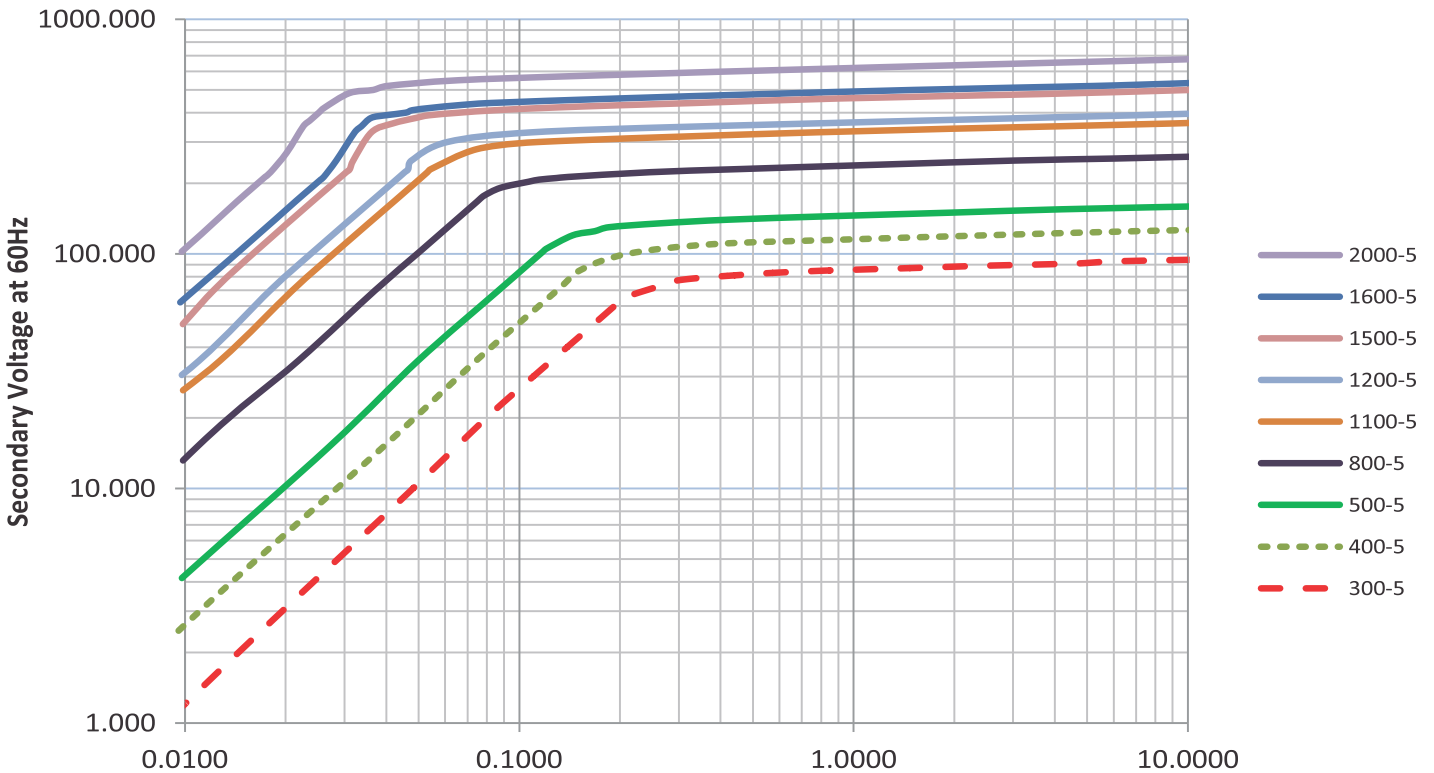
Width 5.0"



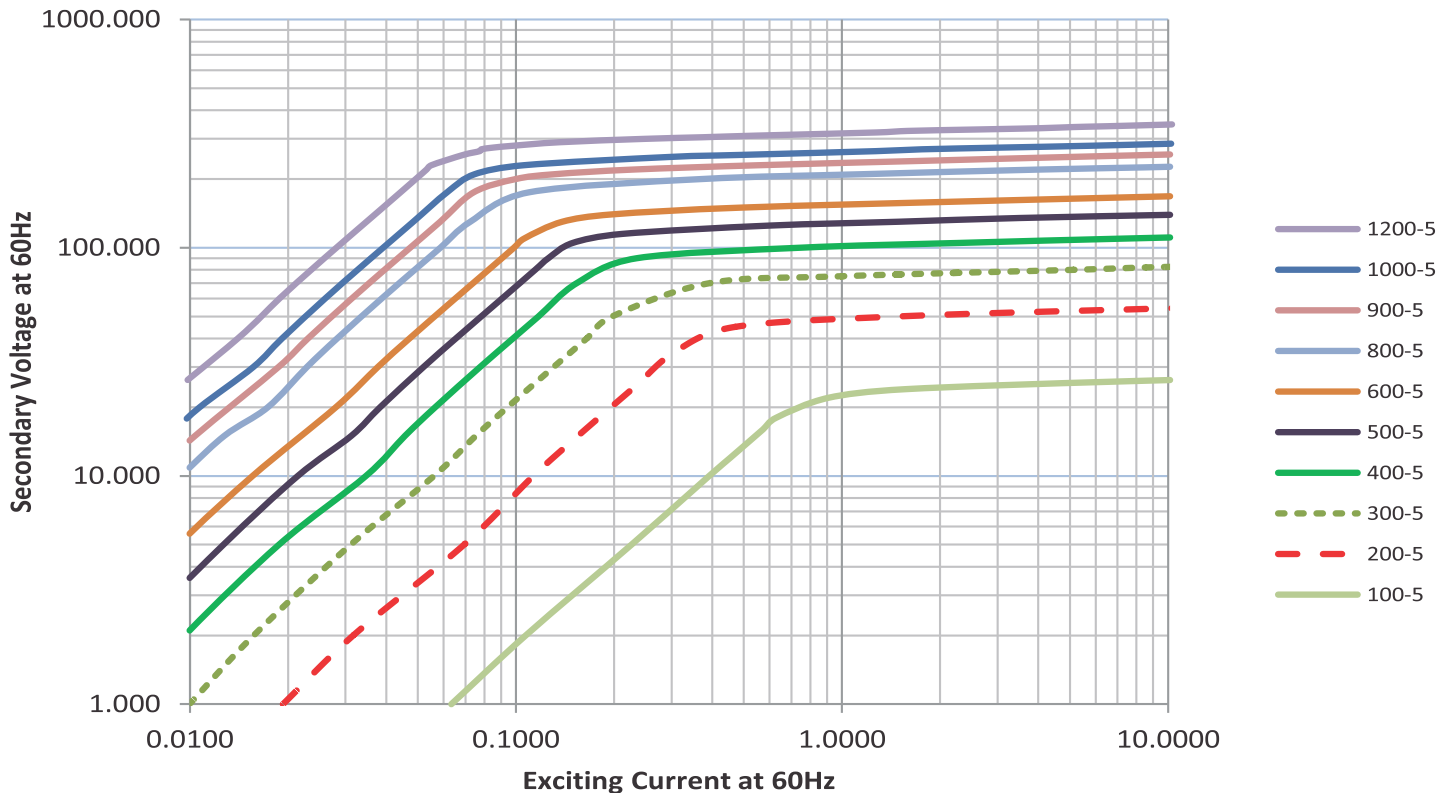
Typical Excitation Curves



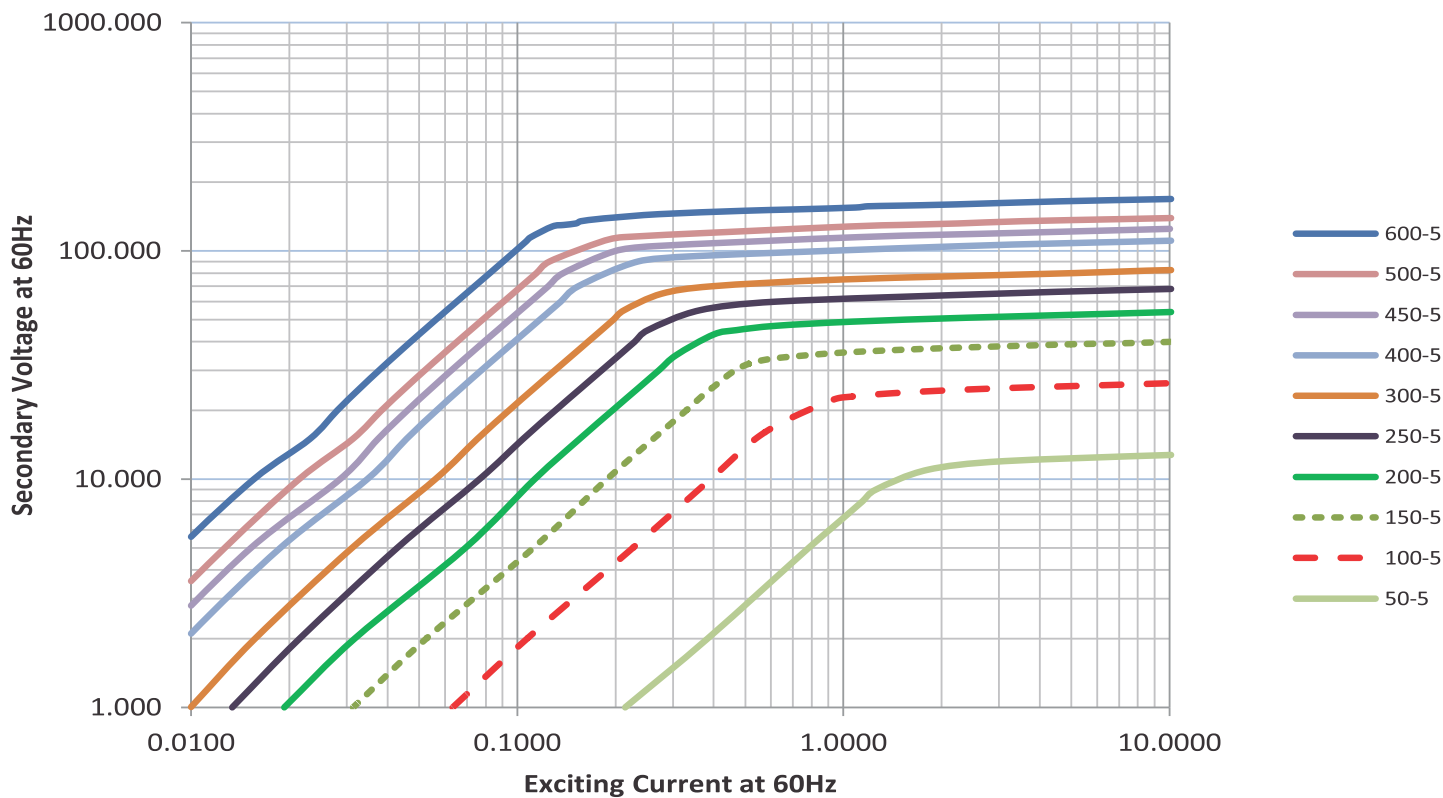
Typical Excitation Curves



Typical Excitation Curves

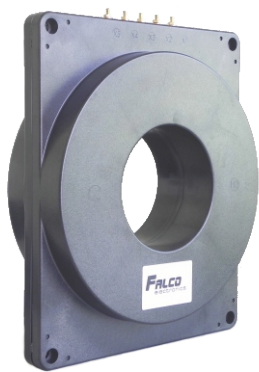


Typical Excitation Curves



# INSTRUMENT CURRENT TRANSFORMER

5.70" Internal Diameter, Multi-Ratio  
Width 3.94"



- Application - Relay and Metering
- Frequency 50 - 400hz
- AC capability 600 - 4000 Amperes
- Insulation Class 0.6kV, 10kV BIL full wave
- Excitation curves upon request
- Secondary terminals are brass screws No. 10-32 with one flatwasher, lockwasher, accessible from either side
- Approximate weight 60 lbs

## ELECTRICAL SPECIFICATIONS

CATALOG NUMBER	CURRENT RATIO (A), (X1-X5)	RELAY CLASS	ANSI METERING CLASS AT 60HZ (X1-X5)					SECONDARY WINDING RESISTANCE (OHMS @75C), (X1-X5)	CURRENT RATING FACTOR @30C
			B0.1	B0.2	B0.5	B0.9	B1.8		
ICT11A06	600:5	C100	0.3	0.3	0.3	0.3		0.31	2.0
ICT11A20	800:5	N/A	0.3	0.3	0.3	0.3		0.22	2.0
ICT11A05	1200:5	C200	0.3	0.3	0.3	0.3	0.3	0.55	2.0
ICT11A16	1200:5	N/A	0.3	0.3	0.3	0.3	0.3	0.51	2.0
ICT11A15	1600:5	C400	0.3	0.3	0.3	0.3	0.3	0.66	2.0
ICT11A10	2000:5	C400	0.3	0.3	0.3	0.3	0.3	0.76	2.0
ICT11A03	2000:5	C400	0.3	0.3	0.3	0.3	0.3	0.77	2.0
ICT11A02	3000:5	C400	0.3	0.3	0.3	0.3	0.3	0.65	2.0

CATALOG NUMBER	CURRENT RATIO (A), (X1-X5)	RELAY CLASS	ANSI METERING CLASS AT 60HZ (X1-X5)					SECONDARY WINDING RESISTANCE (OHMS @75C), (X1-X5)	CURRENT RATING FACTOR @30C
			B0.1	B0.2	B0.5	B0.9	B1.8		
ICT11A07	600:5	C200	0.3	0.3	0.3	0.3		0.36	2.0
ICT11A01	1200:5	C400	0.3	0.3	0.3	0.3	0.3	0.72	2.0
ICT11A04	2000:5	C800	0.3	0.3	0.3	0.3	0.3	0.95	2.0
ICT11A08	3000:5	C800	0.3	0.3	0.3	0.3	0.3	0.84	2.0
ICT11A09	4000:5	C800	0.3	0.3	0.3	0.3	0.3	1.19	2.0

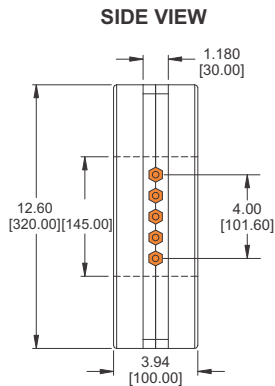
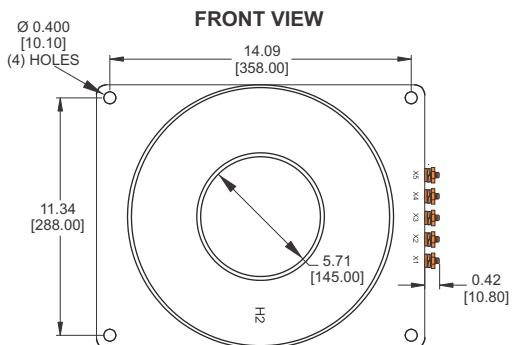
  

CATALOG NUMBER	CURRENT RATIO (A), (X1-X5)	RELAY CLASS	ANSI METERING CLASS AT 60HZ (X1-X5)					SECONDARY WINDING RESISTANCE (OHMS @75C), (X1-X5)	CURRENT RATING FACTOR @30C
			B0.1	B0.2	B0.5	B0.9	B1.8		
ICT11A21	1200:5	2.5L400	0.3	0.3	0.3	0.3	0.3	0.63	2.0
ICT11A17	2000:5	2.5L200	0.3	0.3	0.3	0.3	0.3	0.64	2.0

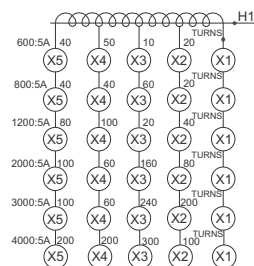
  

CATALOG NUMBER	CURRENT RATIO (A), (X1-X5)	RELAY CLASS	ANSI METERING CLASS AT 60HZ (X1-X5)					SECONDARY WINDING RESISTANCE (OHMS @75C), (X1-X5)	CURRENT RATING FACTOR @30C
			B0.1	B0.2	B0.5	B0.9	B1.8		
ICT11A11	1200:5	10P20 50VA	0.2	0.2	0.2	0.2		0.33	1.2
ICT11A19	1200:5	N/A	0.2	0.2	0.2	0.2		0.38	1.2
ICT11A13	1200:5	5P20 40VA	0.2	0.2	0.2	0.2	0.2	0.40	1.2
ICT11A14	1200:5	N/A	0.2	0.2	0.2	0.2	0.2	0.42	1.2
ICT11A18	1200:5	5P20 10VA	0.2	0.2	0.2	0.2	0.2	0.43	1.2
ICT11A12	2000:5	10P20 50VA	0.2	0.2	0.2	0.2	0.2	0.86	1.2

## MECHANICAL SPECIFICATIONS



## CONNECTION DIAGRAM



DIMENSIONS IN INCHES[MM]

# INSTRUMENT CURRENT TRANSFORMER



6.5" Internal Diameter  
Width 3.38"



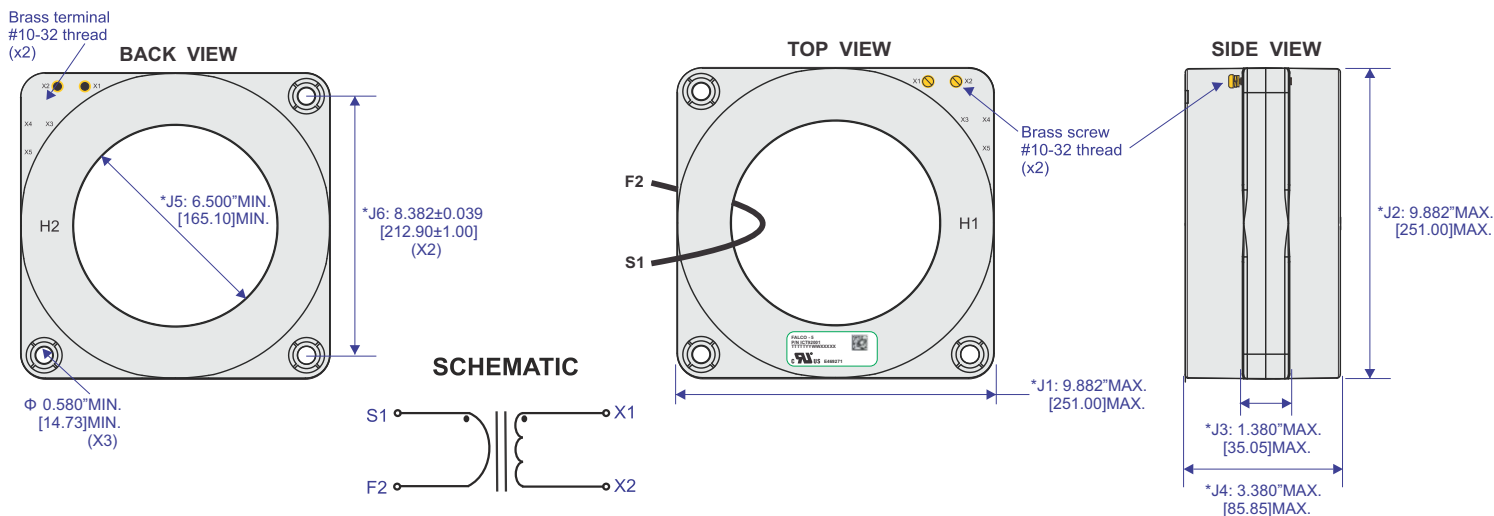
- Application - Switchgear Relay and Metering
- Frequency 50 - 400hz
- AC capability 75 - 4000 Amperes
- Insulation Class 0.6kV, 10kV BIL full wave
- Secondary terminals are brass screws No. 10-32 with one flatwasher, lockwasher, accessible from either side
- Approximate weight 23 lbs
- UL and cUL Certified per ANSI/IEEE C57.13 standard

C US E469271    C US 272140

## ELECTRICAL SPECIFICATIONS

CATALOG NUMBER	CURRENT RATIO (A)	RELAY CLASS	ANSI METERING CLASS AT 60HZ					SECONDARY WINDING RESISTANCE(OHMS @75C)	CURRENT RATING FACTOR @30C
			B0.1	B0.2	B0.5	B0.9	B1.8		
ICT91022	50:5	-	4.8					0.03	2.0
ICT91010	75:5	C10	2.4	2.4				0.06	2.0
ICT91011	100:5	C10	2.4	2.4	4.8			0.05	2.0
ICT91007	150:5	C20	0.6	1.2	2.4	4.8	4.8	0.05	2.0
ICT91008	200:5	C20	0.6	1.2	2.4	2.4	4.8	0.05	2.0
ICT91012	250:5	C20	0.6	0.6	1.2	2.4	2.4	0.07	2.0
ICT91013	300:5	C20	0.3	0.6	1.2	2.4	2.4	0.06	2.0
ICT91005	400:5	C50	0.3	0.3	0.6	1.2	1.2	0.13	2.0
ICT91014	500:5	C50	0.3	0.3	0.3	0.6	1.2	0.14	2.0
ICT91020	600:5	C100	0.3	0.3	0.3	0.6	0.6	0.21	2.0
ICT91016	800:5	C100	0.3	0.3	0.3	0.3	0.6	0.27	2.0
ICT91004	1000:5	C100	0.3	0.3	0.3	0.3	0.3	0.30	2.0
ICT91021	1200:5	C200	0.15	0.15	0.15	0.15	0.3	0.42	2.0
ICT91017	1500:5	C200	0.15	0.15	0.15	0.15	0.15	0.62	2.0
ICT91006	2000:5	C200	0.15	0.15	0.15	0.15	0.15	0.61	2.0
ICT91018	2500:5	C200	0.15	0.15	0.15	0.15	0.15	0.68	1.5
ICT91009	3000:5	C200	0.15	0.15	0.15	0.15	0.15	1.04	1.5
ICT91003	4000:5	C200	0.15	0.15	0.15	0.15	0.15	1.30	1.33
ICT91023	5000:5	C200	0.15	0.15	0.15	0.15	0.15	1.36	1.25

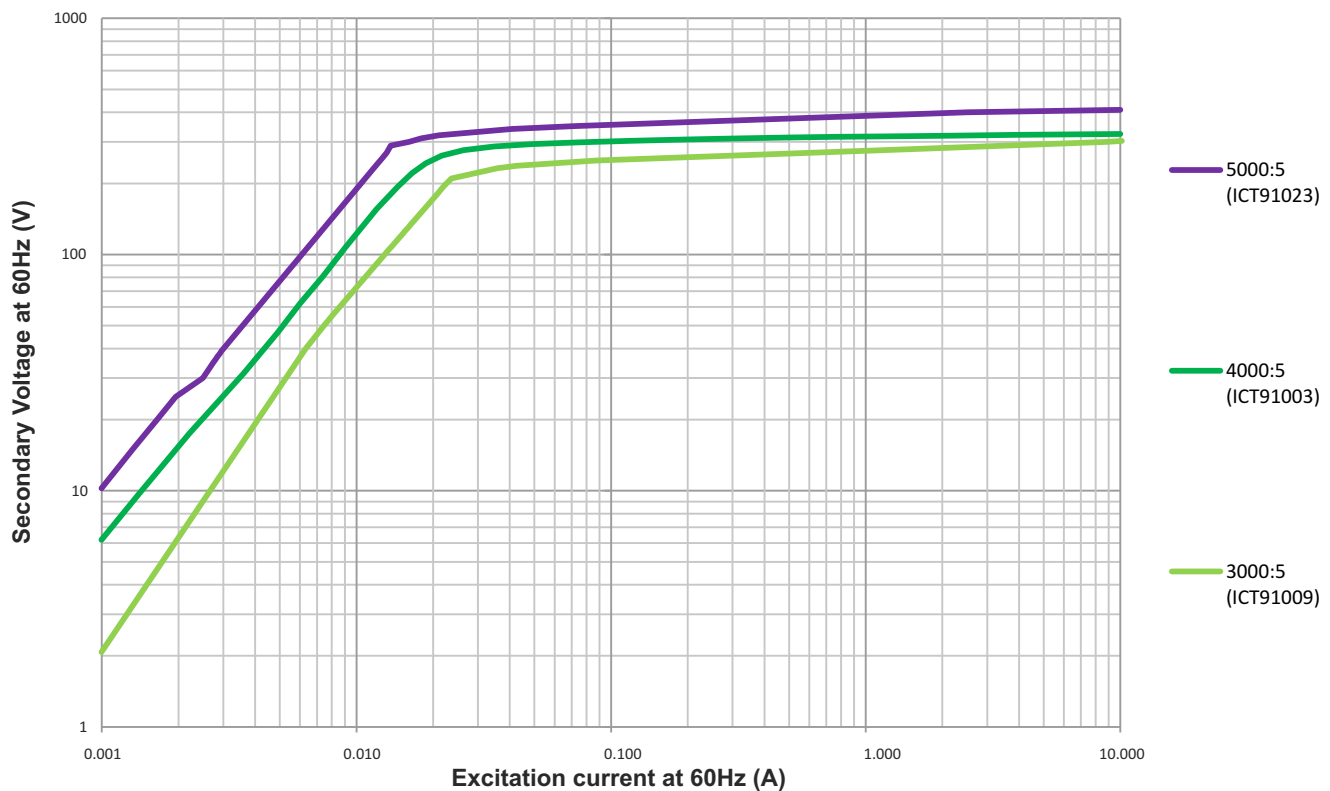
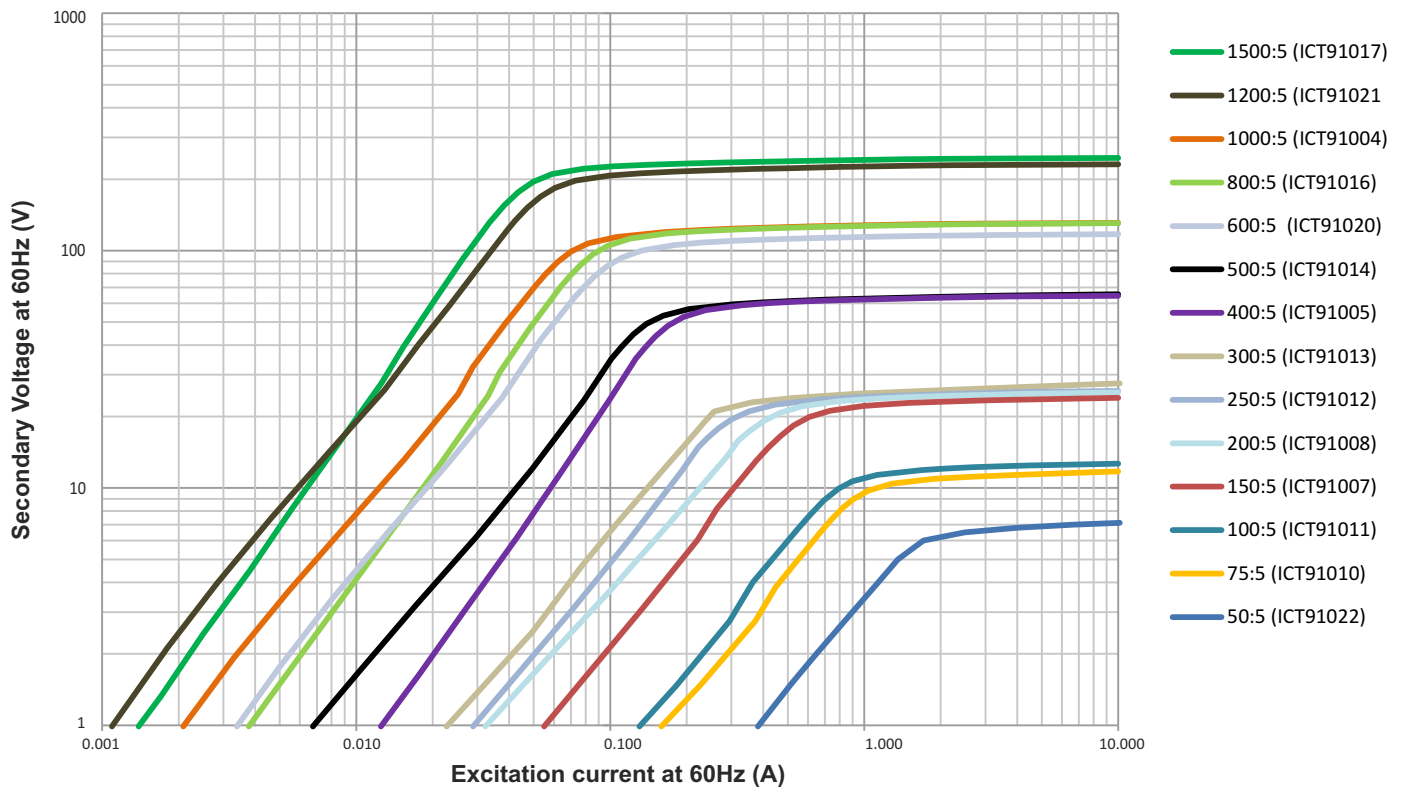
## MECHANICAL SPECIFICATIONS



6.5" Internal Diameter  
Width 3.38"



## Typical Excitation Curves

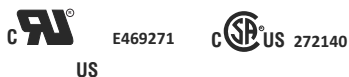


# INSTRUMENT CURRENT TRANSFORMER

6.5" Internal Diameter, Multi-Ratio  
Width 3.38"



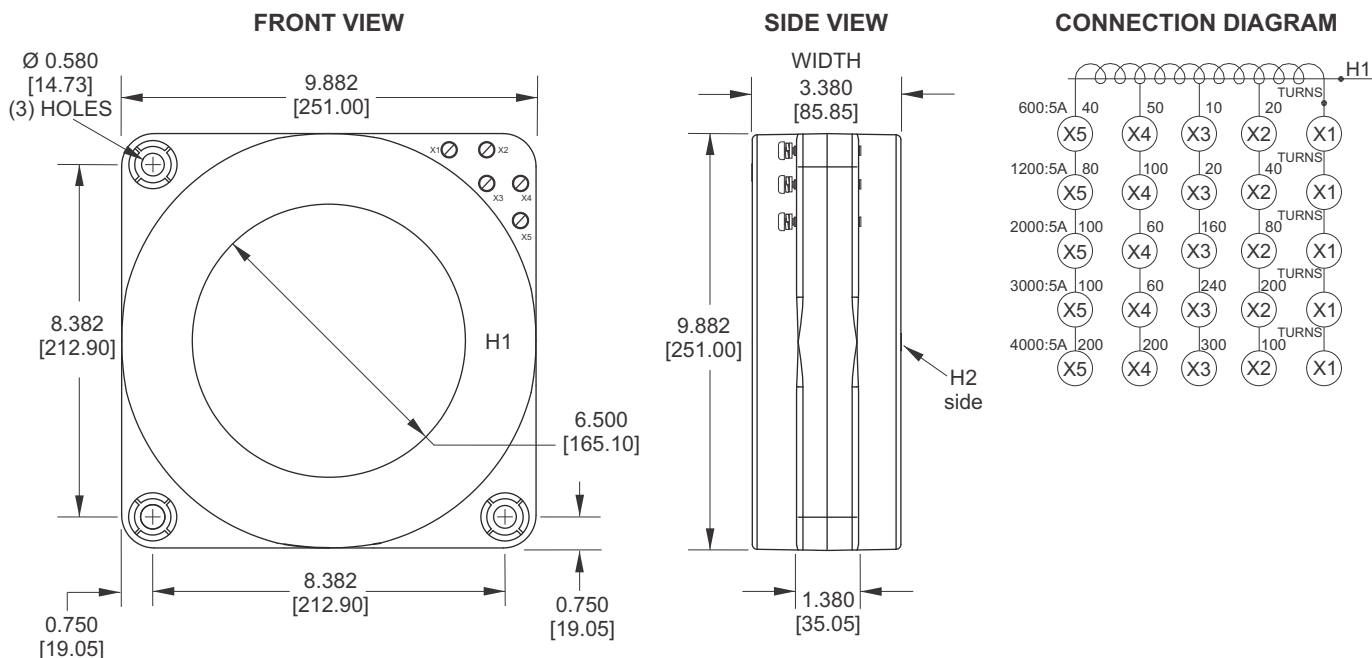
- Application - Relay and Metering
- Frequency 50 - 400hz
- AC capability 600 - 4000 Amperes
- Insulation Class 0.6kV, 10kV BIL full wave
- Secondary terminals are brass screws No. 10-32 with one flatwasher, lockwasher, accessible from either side
- Approximate weight 24 lbs
- UL and cUL Certified per ANSI/IEEE C57.13 standard



## ELECTRICAL SPECIFICATIONS

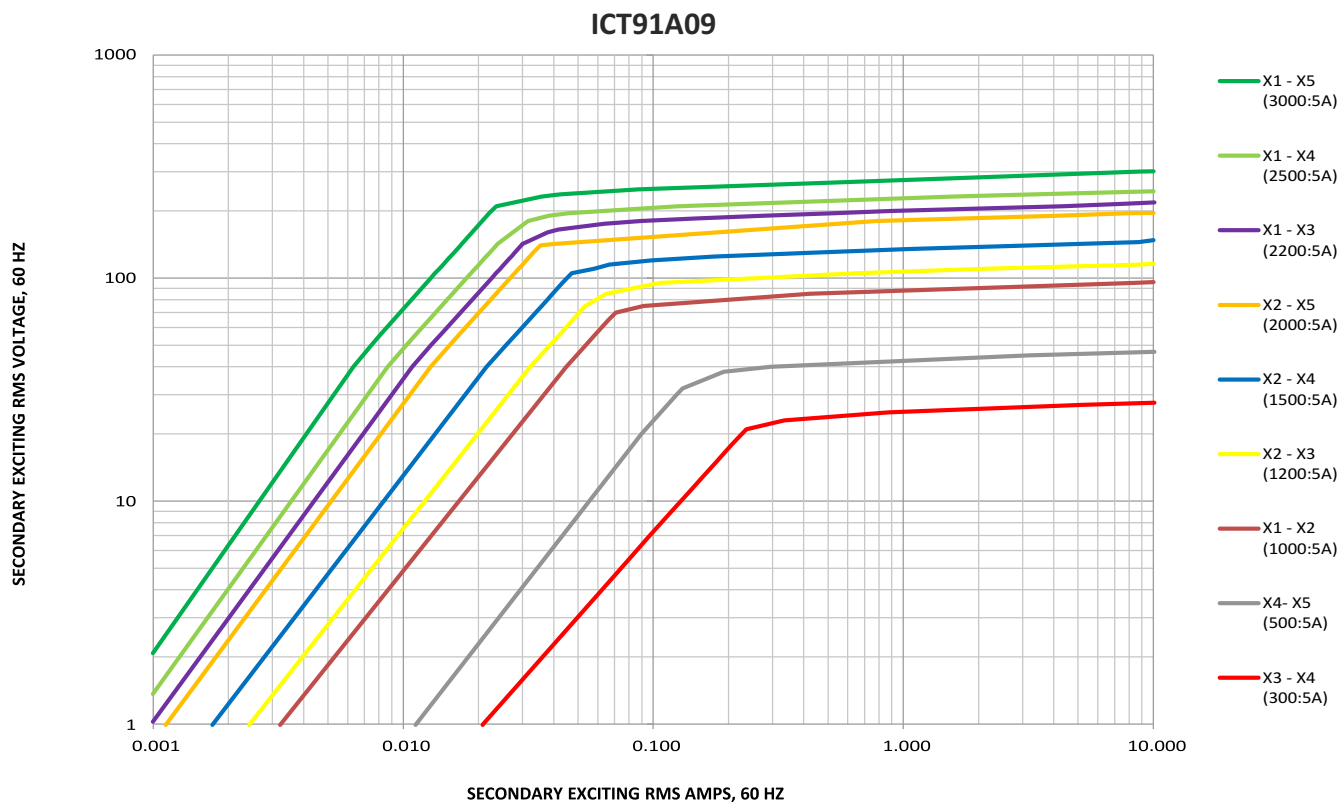
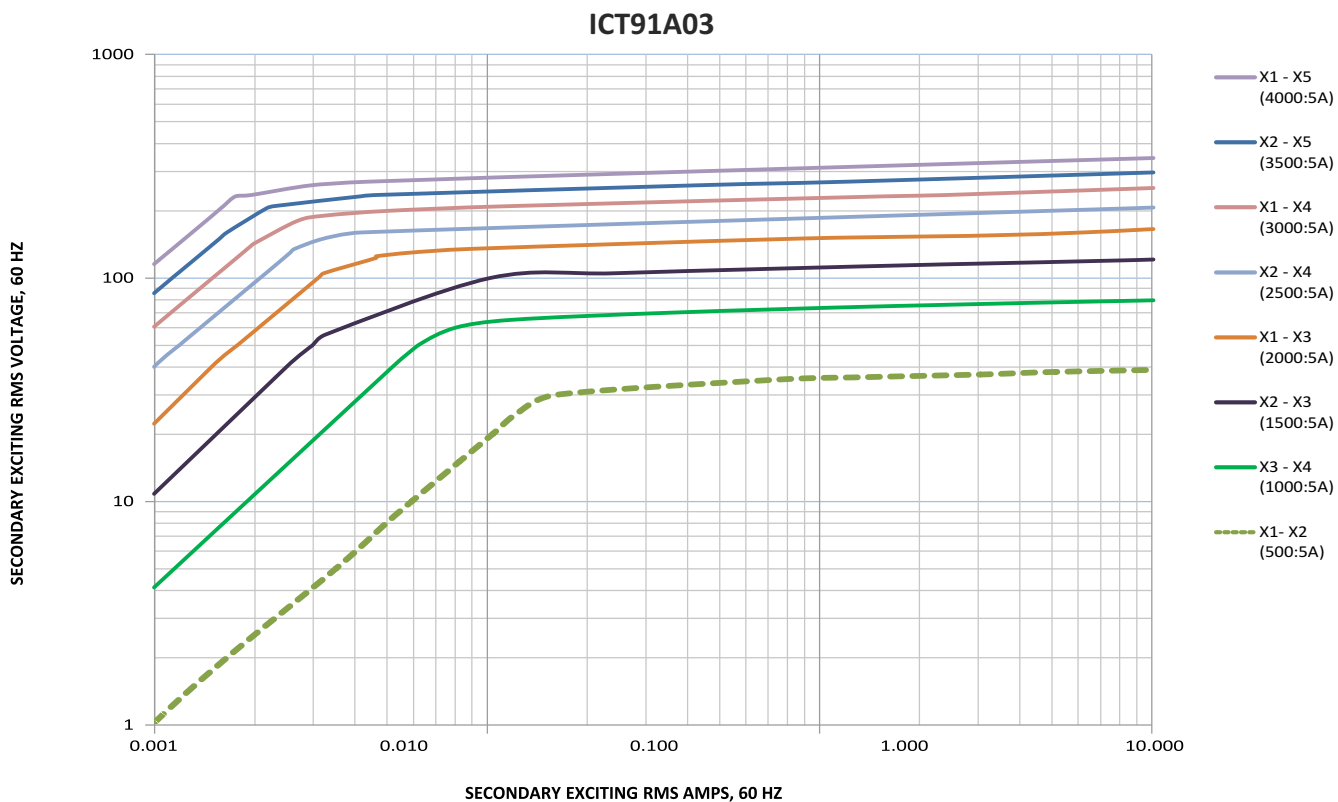
CATALOG NUMBER	CURRENT RATIO (A), (X1-X5)	RELAY CLASS	ANSI METERING CLASS AT 60HZ					SECONDARY WINDING RESISTANCE(OHMS @75C)	CURRENT RATING FACTOR @30C
			B0.1	B0.2	B0.5	B0.9	B1.8		
ICT91A20	600:5	C100	0.3	0.3	0.3	0.6	0.6	0.23	2.0
ICT91A21	1200:5	C200	0.3	0.3	0.3	0.3	0.3	0.46	2.0
ICT91A06	2000:5	C200	0.15	0.15	0.15	0.15	0.15	0.67	2.0
ICT91A09	3000:5	C200	0.15	0.15	0.15	0.15	0.15	1.14	1.5
ICT91A03	4000:5	C200	0.15	0.15	0.15	0.15	0.15	1.43	1.33

## MECHANICAL SPECIFICATIONS



DIMENSIONS IN INCHES[MM]

## Typical Excitation Curves

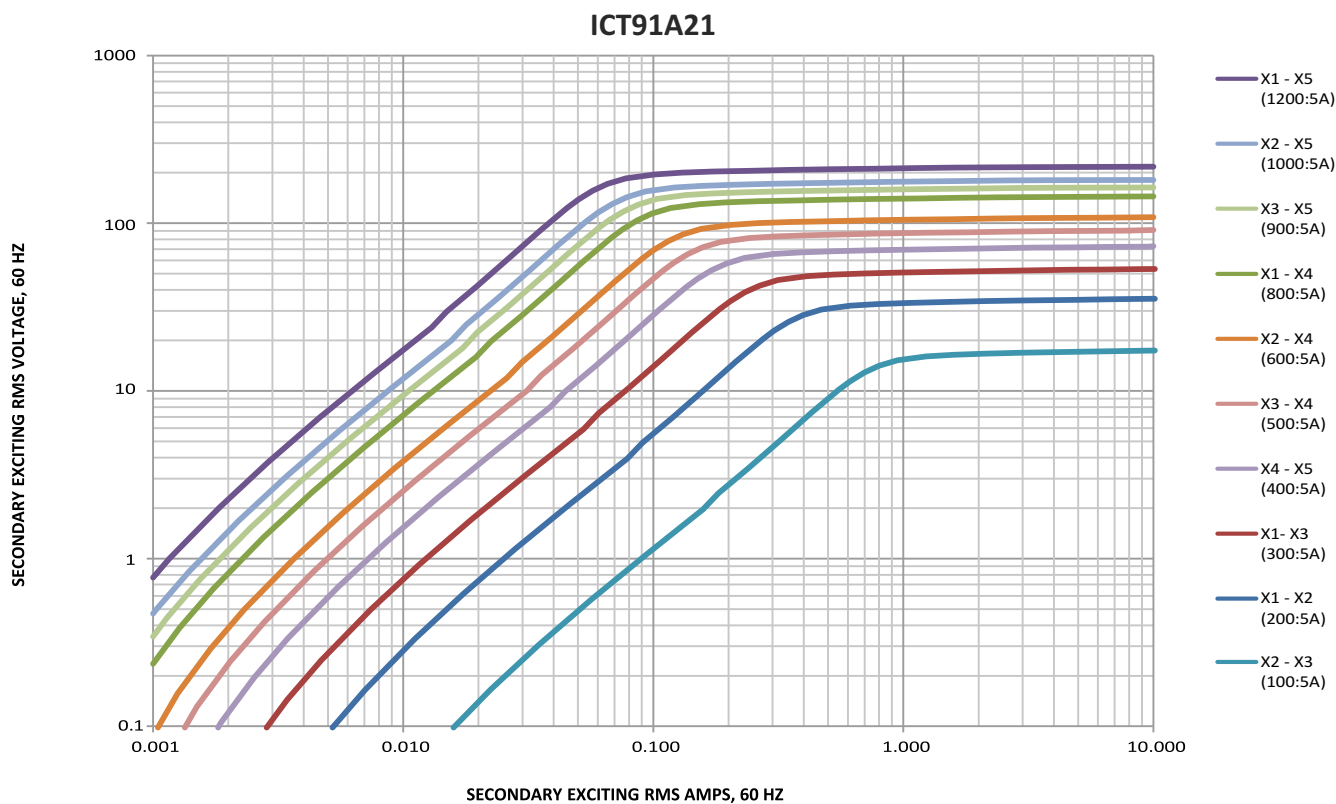
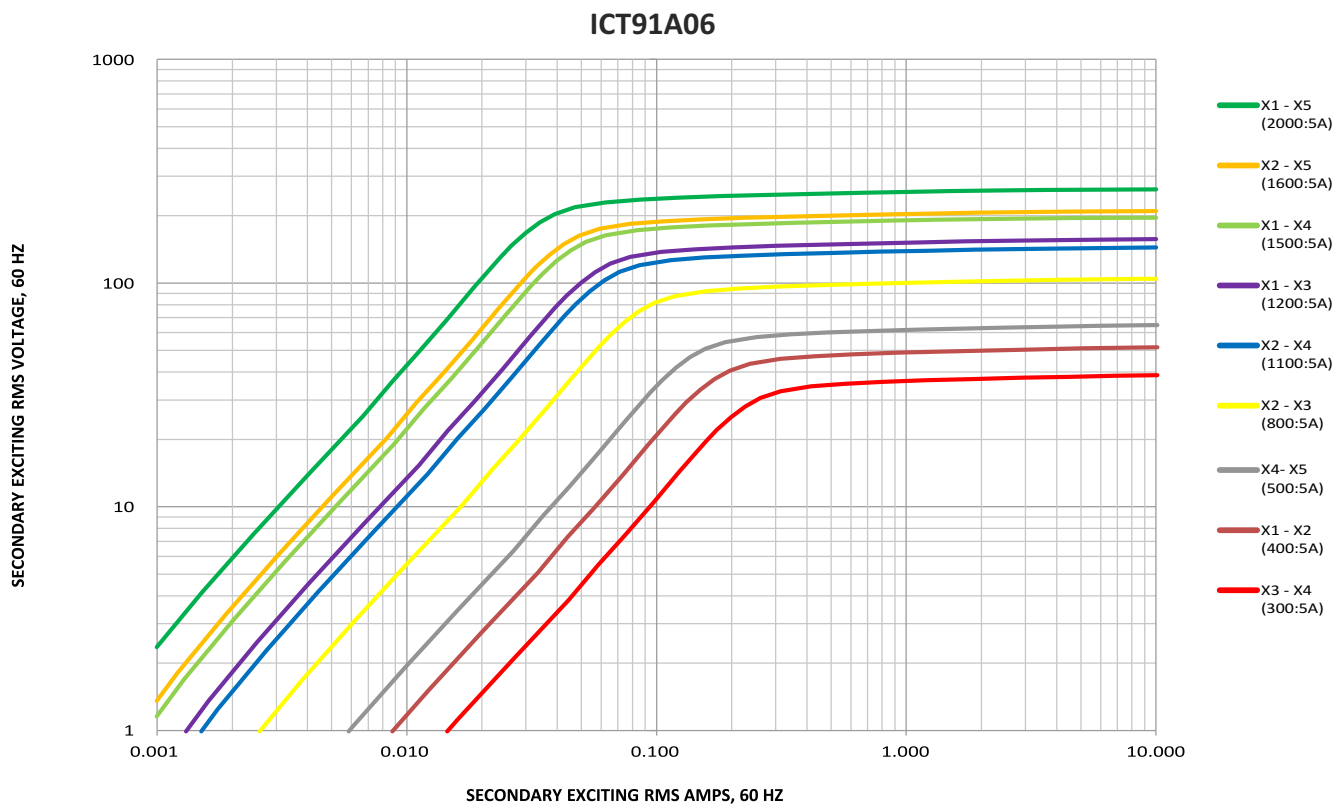




6.5" Internal Diameter, Multi-Ratio  
Width 3.38"

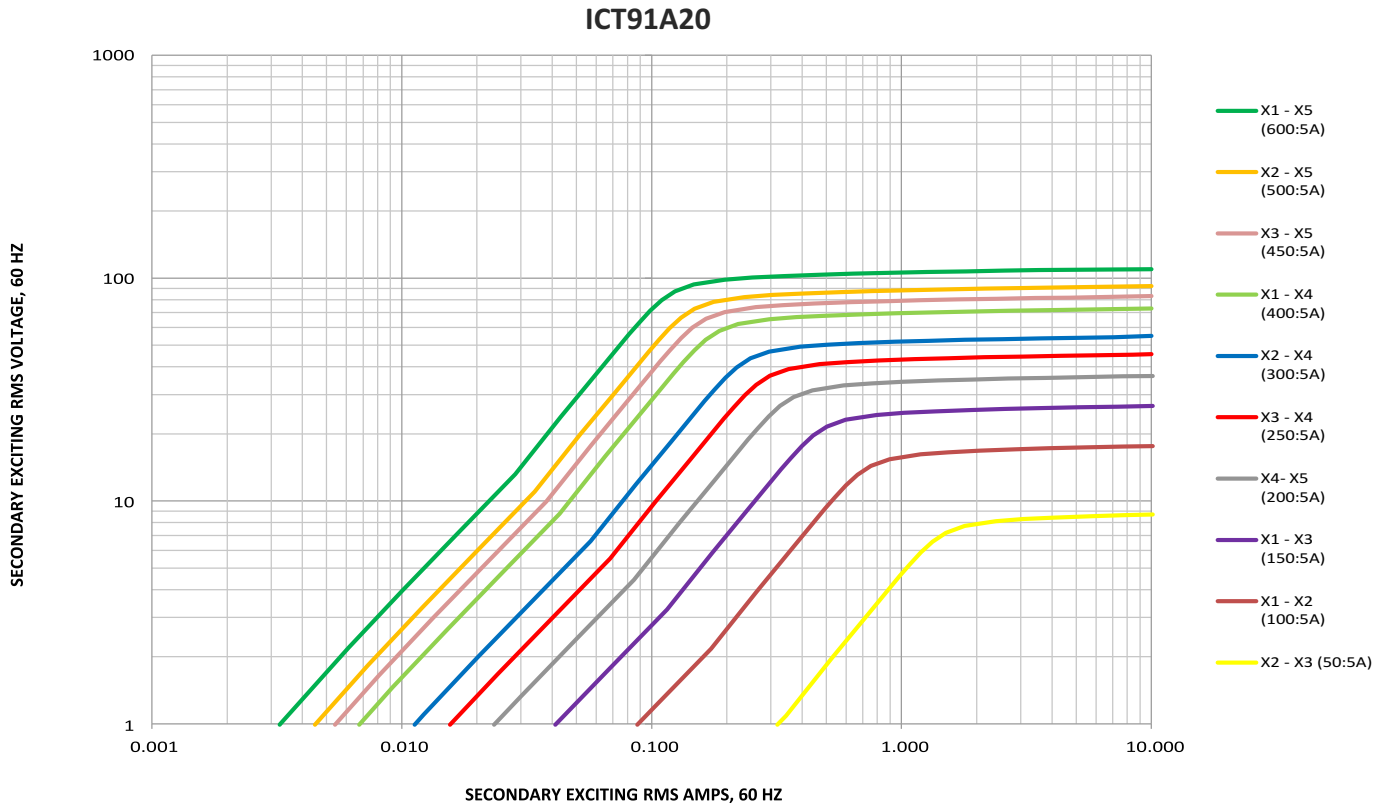


## Typical Excitation Curves



6.5" Internal Diameter, Multi-Ratio  
Width 3.38"

## Typical Excitation Curves



# INSTRUMENT CURRENT TRANSFORMER



6.5" Internal Diameter  
Width 6.75"



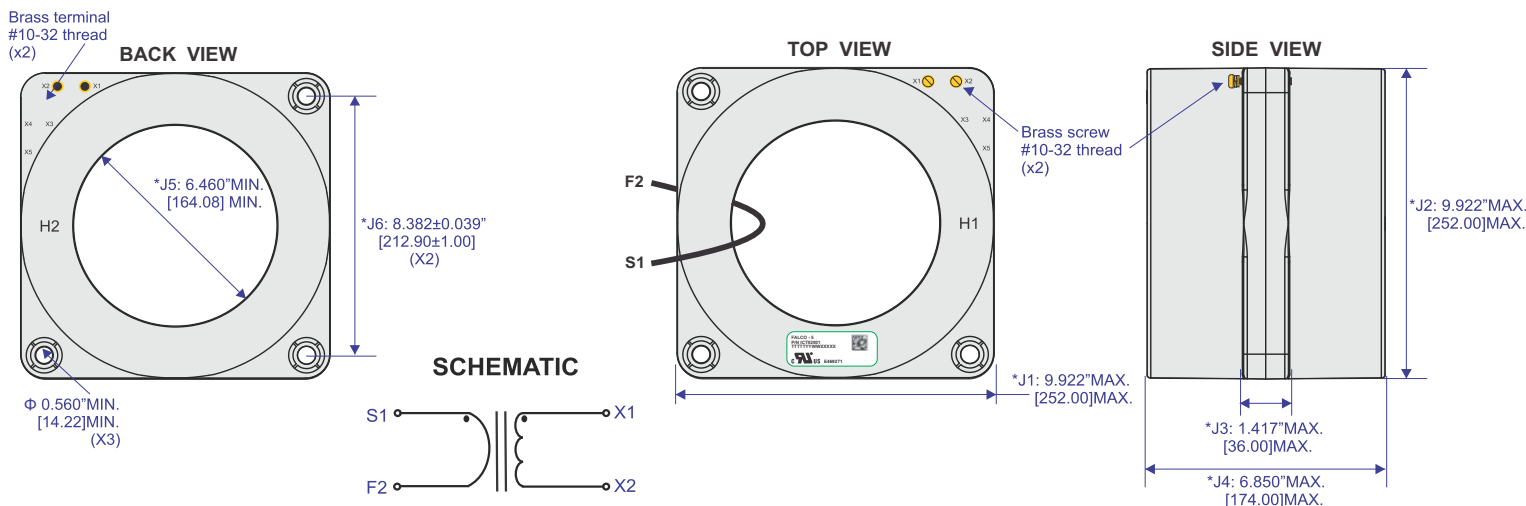
- Application - Relay and Metering
- Frequency 50 - 400hz
- AC capability 50 - 4000 Amperes
- Insulation Class 0.6kV, 10kV BIL full wave
- Secondary terminals are brass screws No. 10-32 with one flatwasher, lockwasher, accessible from either side
- Approximate weight 52 lbs
- UL and cUL Certified per ANSI/IEEE C57.13 standard

C US E469271 C US 272140

## ELECTRICAL SPECIFICATIONS

CATALOG NUMBER	CURRENT RATIO (A)	RELAY CLASS	ANSI METERING CLASS AT 60HZ					SECONDARY WINDING RESISTANCE(OHMS @75C)	CURRENT RATING FACTOR @30C
			B0.1	B0.2	B0.5	B0.9	B1.8		
ICT92007	50:5	C10	2.4	4.8				0.03	2.0
ICT92020	75:5	C20	2.4	2.4	4.8			0.02	2.0
ICT92004	100:5	C20	1.2	2.4	4.8			0.05	2.0
ICT92005	150:5	C50	0.6	1.2	2.4	2.4	4.8	0.06	2.0
ICT92001	200:5	C50	0.6	0.6	1.2	2.4	2.4	0.08	2.0
ICT92024	250:5	C50	0.3	0.6	1.2	1.2	2.4	0.13	2.0
ICT92011	300:5	C100	0.3	0.3	0.6	1.2	1.2	0.18	2.0
ICT92009	400:5	C100	0.3	0.3	0.6	1.2	1.2	0.20	2.0
ICT92012	500:5	C100	0.3	0.3	0.3	0.3	0.6	0.24	2.0
ICT92003	600:5	C200	0.3	0.3	0.3	0.3	0.6	0.37	2.0
ICT92013	800:5	C200	0.3	0.3	0.3	0.3	0.3	0.42	2.0
ICT92014	1000:5	C200	0.3	0.3	0.3	0.3	0.3	0.48	2.0
ICT92002	1200:5	C400	0.15	0.15	0.15	0.15	0.3	0.75	2.0
ICT92022	1500:5	C400	0.15	0.15	0.15	0.15	0.15	0.87	2.0
ICT92006	2000:5	C400	0.15	0.15	0.15	0.15	0.15	1.00	2.0
ICT92023	2500:5	C400	0.15	0.15	0.15	0.15	0.15	1.15	1.5
ICT92010	3000:5	C400	0.15	0.15	0.15	0.15	0.15	1.20	1.3
ICT92018	4000:5	C400	0.15	0.15	0.15	0.15	0.15	1.32	1.3

## MECHANICAL SPECIFICATIONS

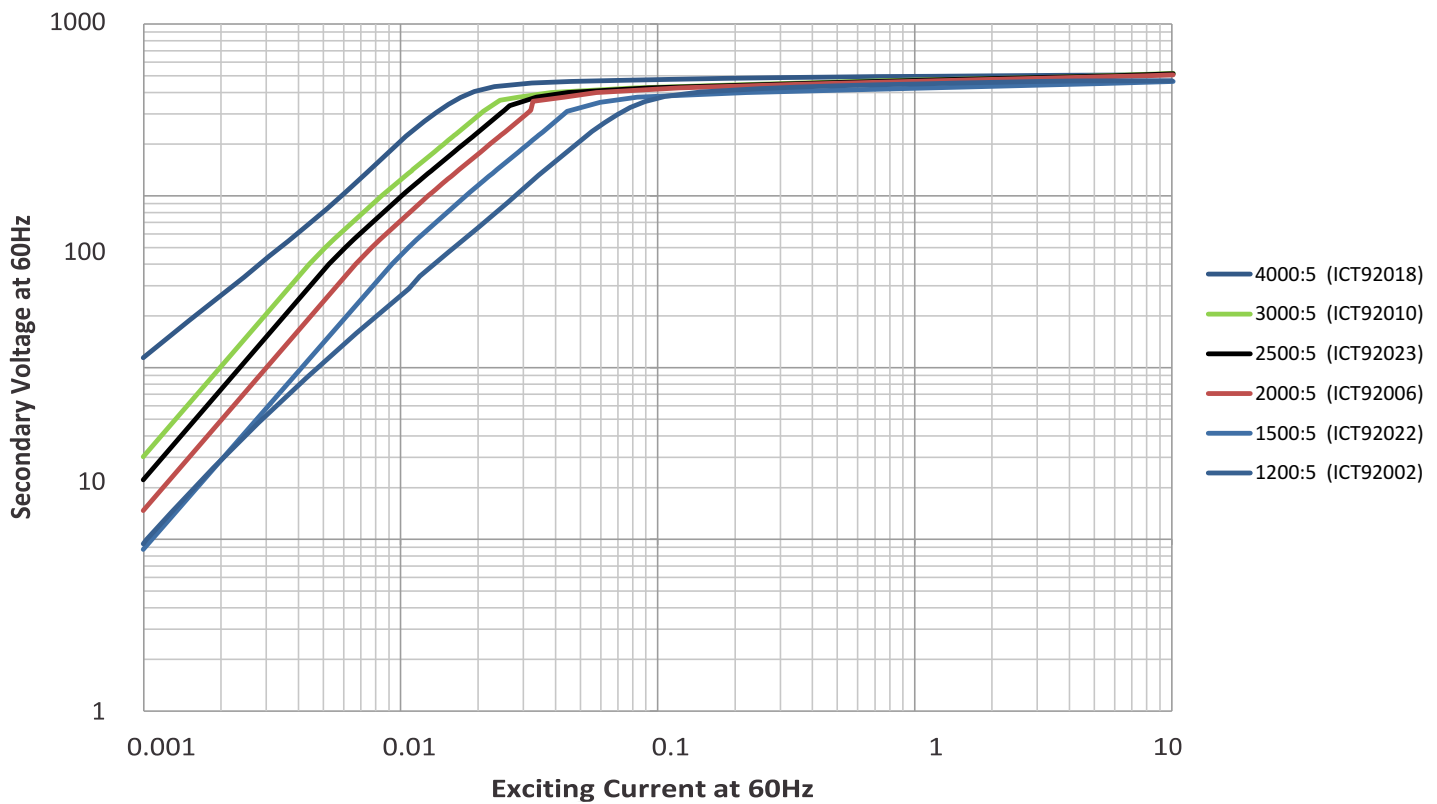
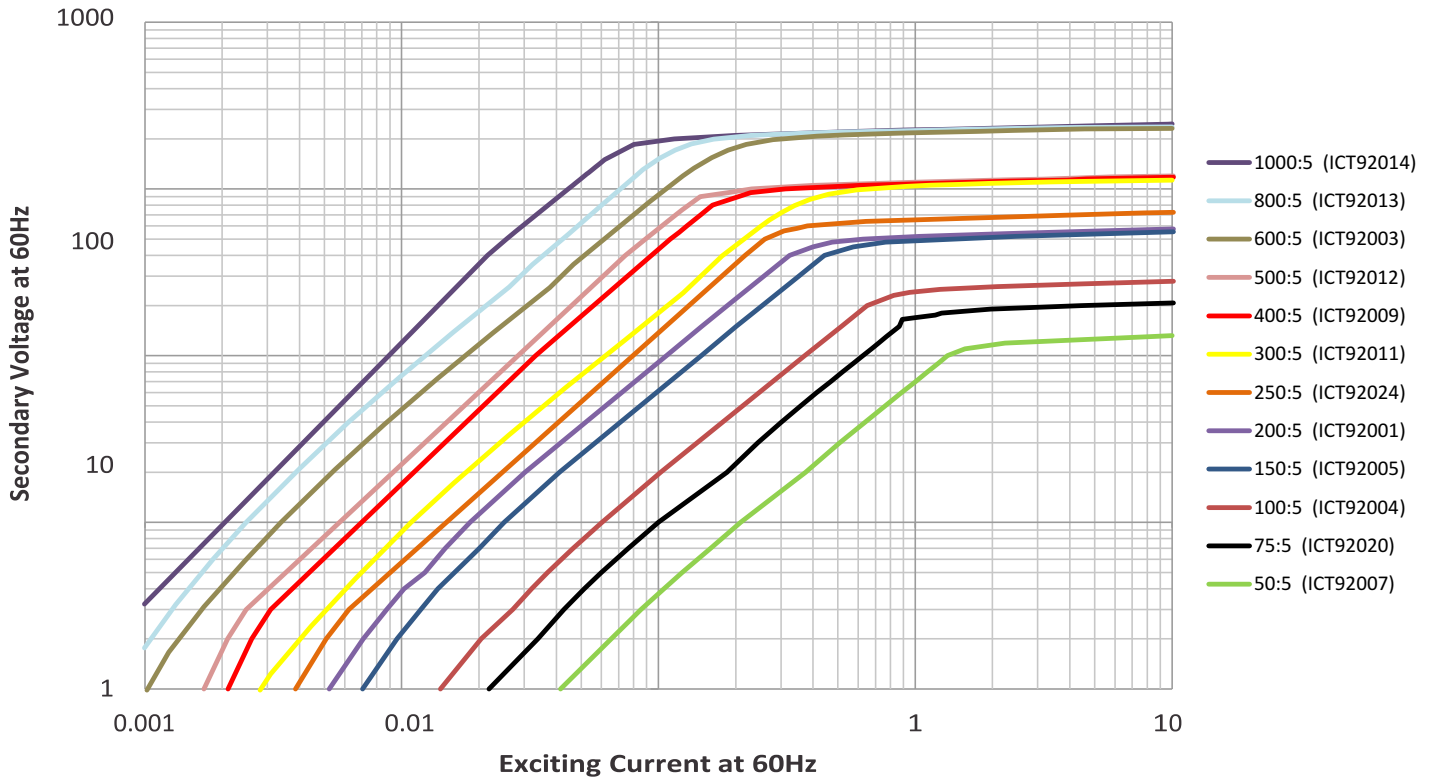


6.5" Internal Diameter

Width 6.75"



Typical Excitation Curves



# INSTRUMENT CURRENT TRANSFORMER

## 6.5" Internal Diameter, Multi-Ratio

Width 6.75"



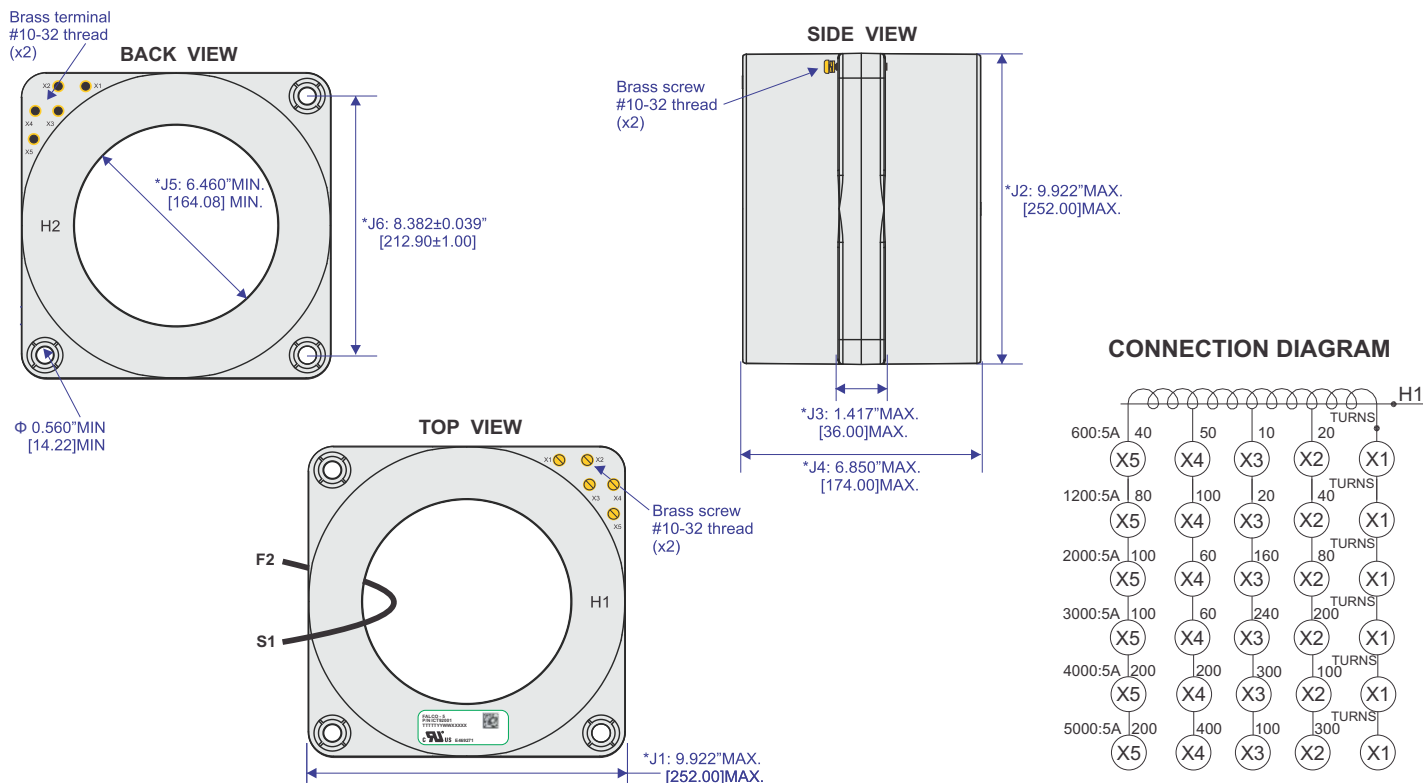
- Application - Relay and Metering
- Frequency 50 - 400hz
- AC capability 75 - 4000 Amperes
- Insulation Class 0.6kV, 10kV BIL full wave
- Secondary terminals are brass screws No. 10-32 with one flatwasher, lockwasher, accessible from either side
- Approximate weight 52 lbs
- UL and cUL Certified per ANSI/IEEE C57.13 standard



### ELECTRICAL SPECIFICATIONS

CATALOG NUMBER	CURRENT RATIO (A), (X1-X5)	RELAY CLASS	ANSI METERING CLASS AT 60HZ					SECONDARY WINDING RESISTANCE(OHMS @75C)	CURRENT RATING FACTOR @30C
			B0.1	B0.2	B0.5	B0.9	B1.8		
ICT92A03	600:5	C200	0.3	0.3	0.3	0.6	0.6	0.39	2.0
ICT92A02	1200:5	C400	0.15	0.15	0.15	0.15	0.3	0.76	2.0
ICT92A06	2000:5	C400	0.15	0.15	0.15	0.15	0.15	0.75	2.0
ICT92A16	3000:5	C400	0.15	0.15	0.15	0.15	0.15	1.11	1.33
ICT92A18	4000:5	C400	0.15	0.15	0.15	0.15	0.15	1.32	1.33

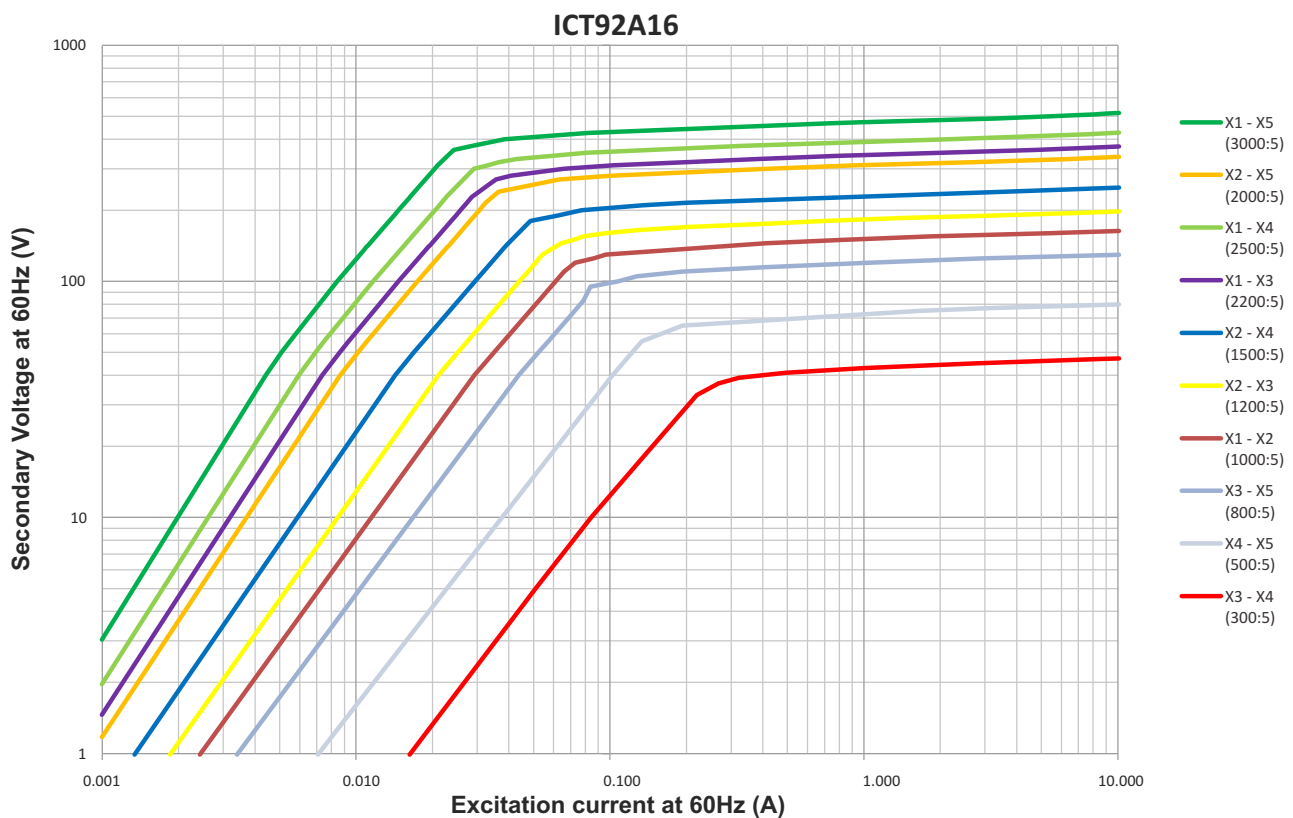
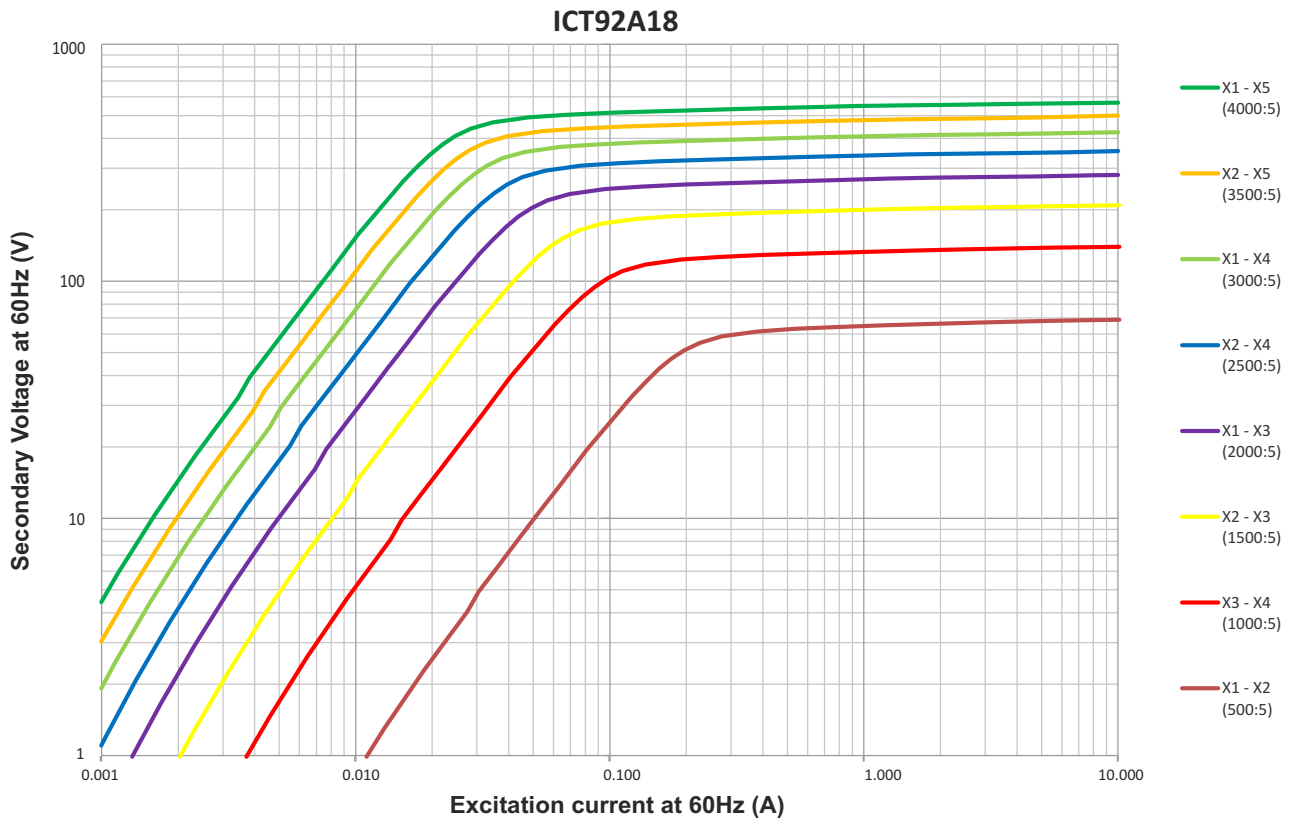
### MECHANICAL SPECIFICATIONS



## 6.5" Internal Diameter, Multi-Ratio

Width 6.75"

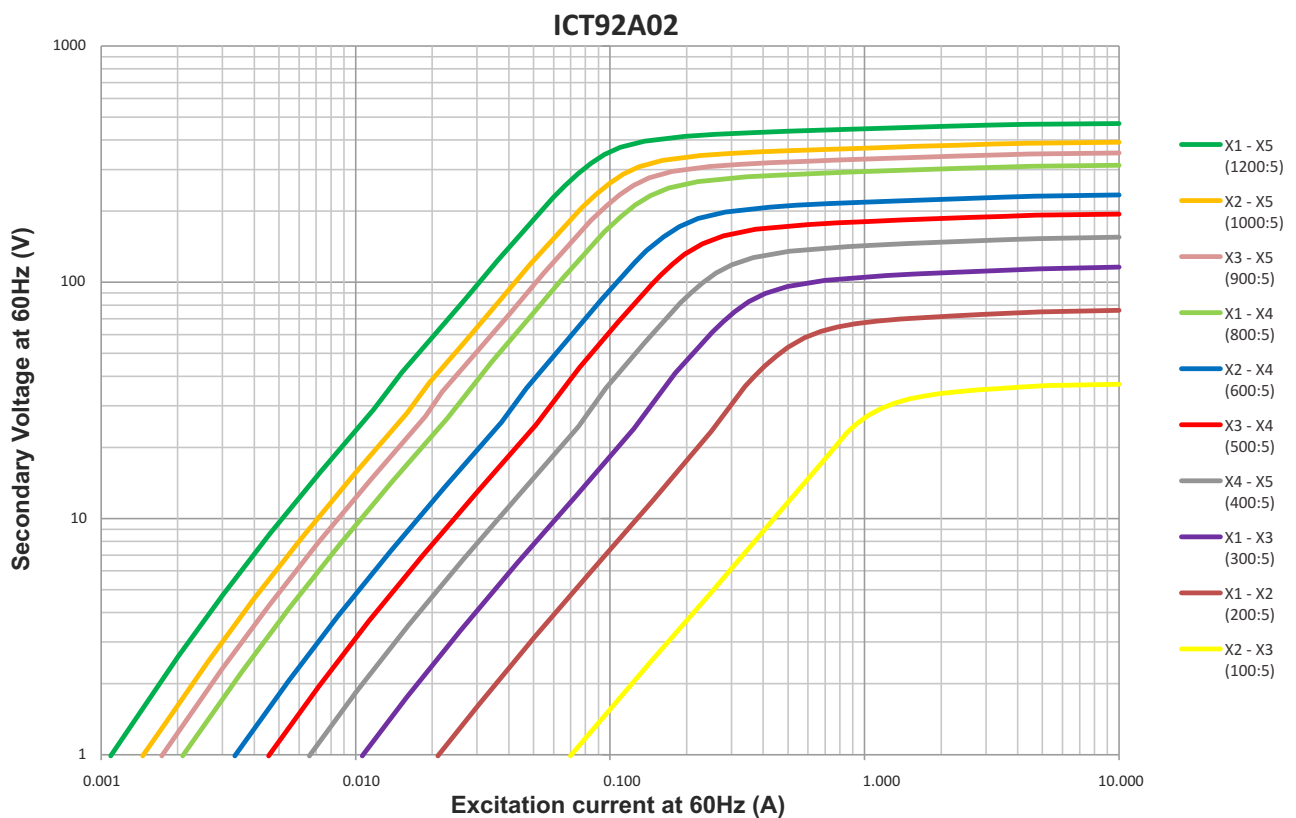
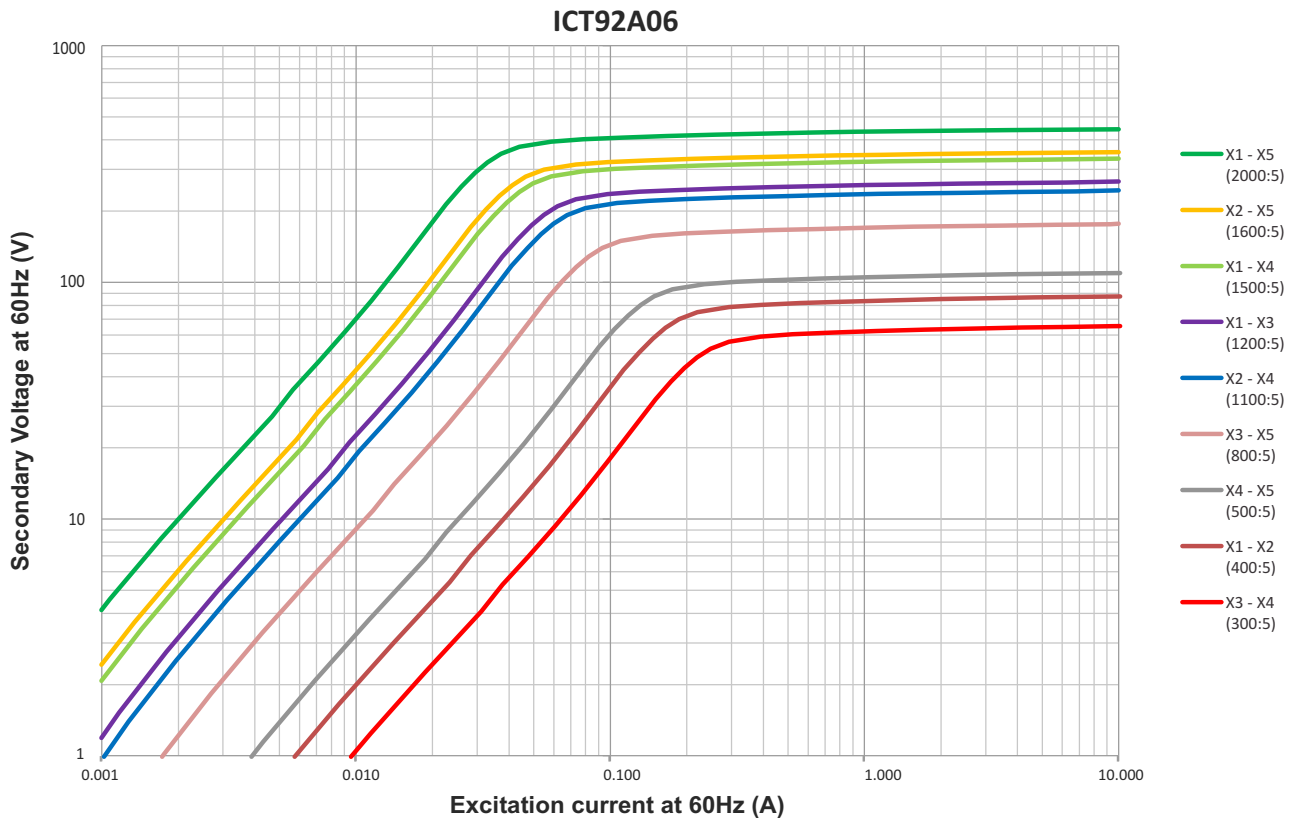
### Typical Excitation Curves



## 6.5" Internal Diameter, Multi-Ratio

Width 6.75"

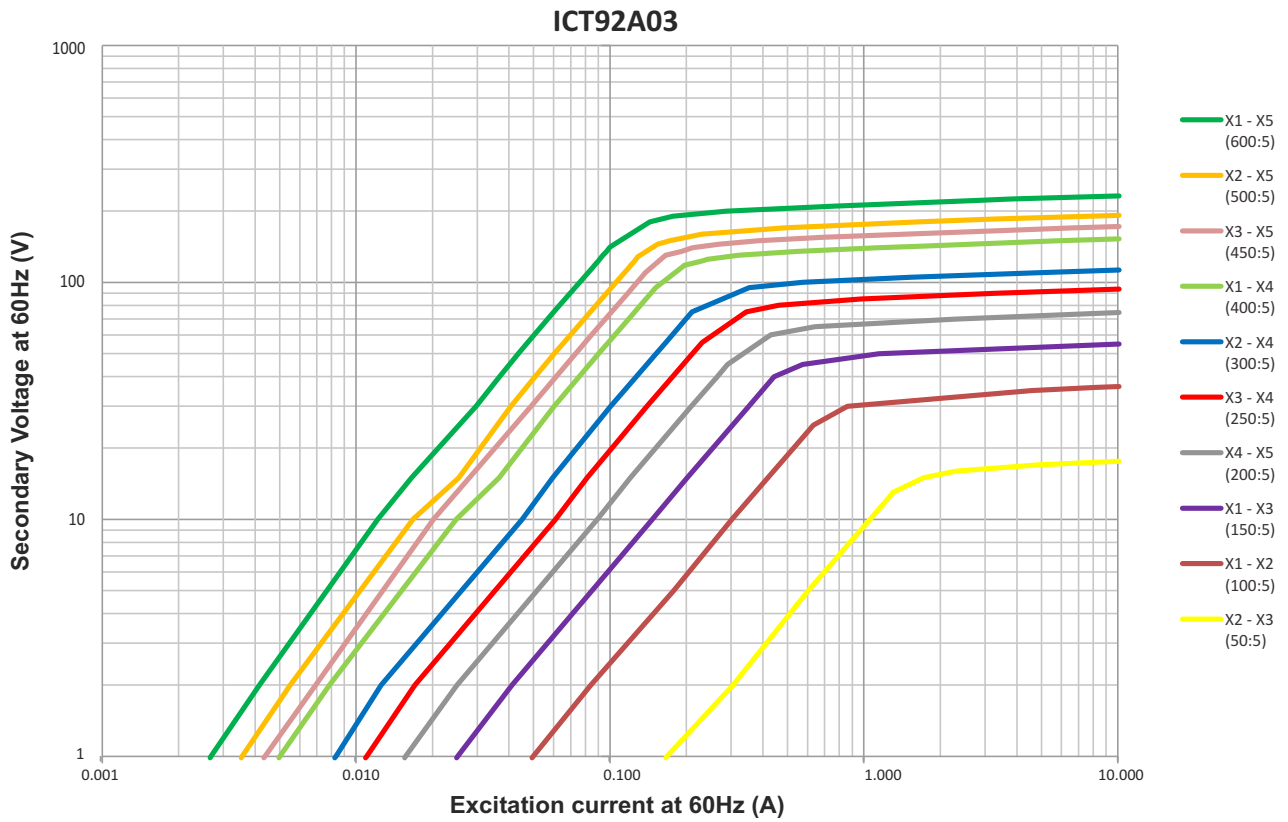
### Typical Excitation Curves



## 6.5" Internal Diameter, Multi-Ratio

Width 6.75"

### Typical Excitation Curves





7.0" Internal Diameter

Width 3.50"



- Application - Switchgear Relay and Metering
- Frequency 50 - 400 Hz
- AC capability 75 - 4000 Amperes
- Insulation Class 0.6kV, 10kV BIL full wave
- Other ratios available
- Secondary terminals are brass screws No. 10-32 with one flatwasher, lockwasher, accessible from either side
- Approximate weight 30 lbs
- UL and cUL Certified per ANSI/IEEE C57.13 standard

US E469271

## ELECTRICAL SPECIFICATIONS

CATALOG NUMBER	CURRENT RATIO (A)	RELAY CLASS	ANSI METERING ACCURACY CLASS AT 60HZ					TYPICAL SECONDARY RESISTANCE (OHMS @75C)	CURRENT RATING FACTOR @30C
			B0.1	B0.2	B0.5	B0.9	B2.0		
ICT96001	50:5	C5	4.8	4.8				0.016	2.0
ICT96009	75:5	C10	2.4	4.8				0.023	2.0
ICT96010	100:5	C15	2.4	4.8				0.031	2.0
ICT96003	150:5	C20	0.6	1.2	2.4			0.042	2.0
ICT96011	200:5	C25	0.6	1.2	1.2			0.067	2.0
ICT96012	250:5	C36	0.6	0.6	1.2	2.4		0.080	2.0
ICT96013	300:5	C40	0.6	0.6	1.2	1.2	2.4	0.100	2.0
ICT96006	400:5	C60	0.3	0.6	0.6	1.2	2.4	0.112	2.0
ICT96014	500:5	C75	0.3	0.3	0.3	0.6	1.2	0.165	2.0
ICT96007	600:5	C100	0.3	0.3	0.3	0.6	1.2	0.175	2.0
ICT96015	750:5	C100	0.3	0.3	0.3	0.6	0.6	0.280	2.0
ICT96016	800:5	C130	0.3	0.3	0.3	0.6	0.6	0.267	2.0
ICT96017	1000:5	C170	0.3	0.3	0.3	0.3	0.3	0.320	2.0
ICT96008	1200:5	C200	0.3	0.3	0.3	0.3	0.3	0.400	2.0
ICT96018	1500:5	C200	0.3	0.3	0.3	0.3	0.3	0.580	2.0
ICT96019	1600:5	C180	0.3	0.3	0.3	0.3	0.3	0.460	2.0
ICT96004	2000:5	C210	0.3	0.3	0.3	0.3	0.3	0.540	2.0
ICT96020	2500:5	C300	0.3	0.3	0.3	0.3	0.3	0.730	2.0
ICT96005	3000:5	C240	0.3	0.3	0.3	0.3	0.3	1.100	1.3
ICT96021	3500:5	C200	0.3	0.3	0.3	0.3	0.3	0.760	1.3
ICT96002	4000:5	C230	0.3	0.3	0.3	0.3	0.3	0.940	1.3
ICT96022	5000:5	C300	0.3	0.3	0.3	0.3	0.3	1.250	1.0

CATALOG NUMBER	CURRENT RATIO (A)	RELAY CLASS	ANSI METERING ACCURACY CLASS AT 60HZ					TYPICAL SECONDARY RESISTANCE (OHMS @75C)	CURRENT RATING FACTOR @30C
			B0.1	B0.2	B0.5	B0.9	B2.0		
ICT96023	250:1	C210	0.6	0.6	1.2	2.4	4.8	0.900	3.0
ICT96024	1200:1	C640	0.3	0.3	0.3	0.3	0.3	6.200	2.0
ICT96025	2500:1	C800	0.3	0.3	0.3	0.3	0.3	10.660	1.0

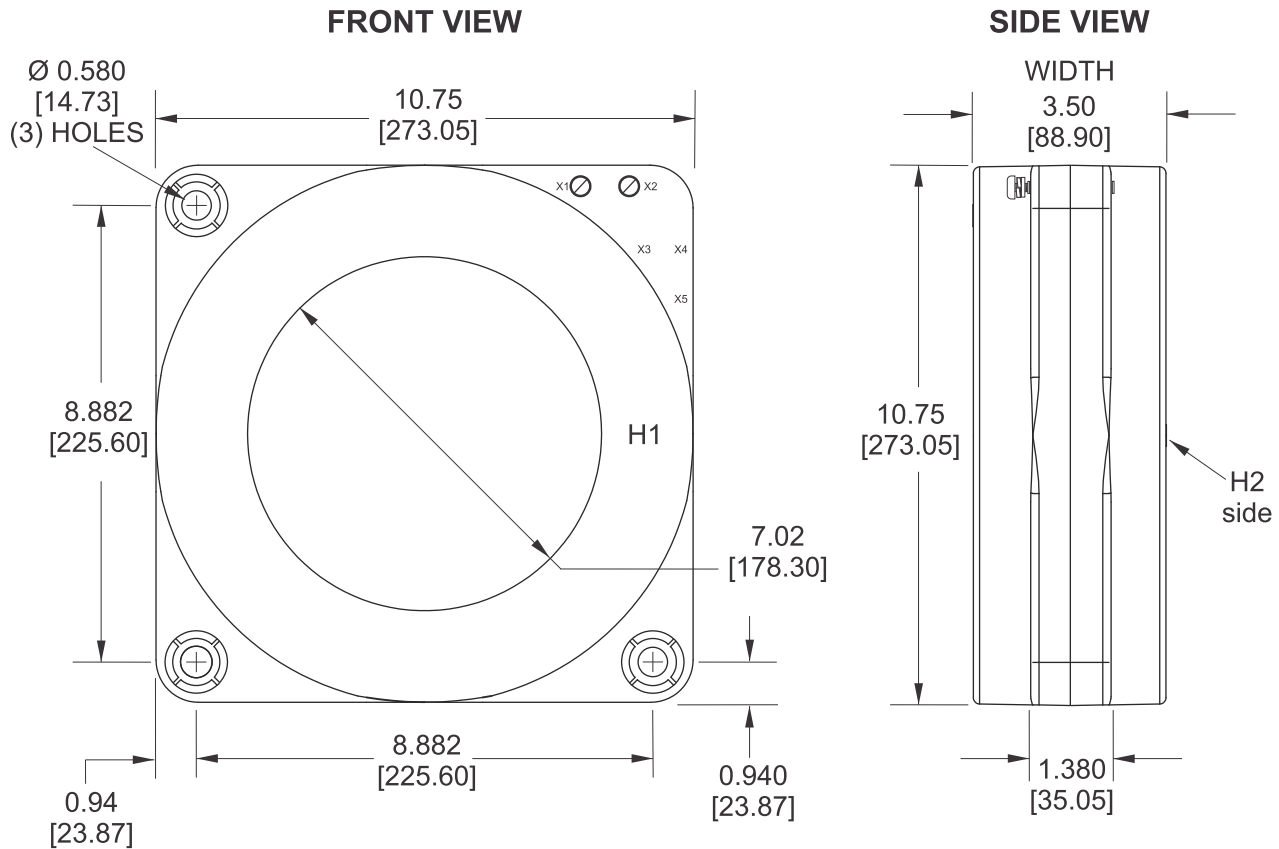
# INSTRUMENT CURRENT TRANSFORMER

7.0" Internal Diameter

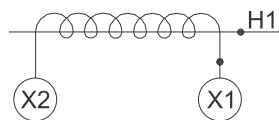
Width 3.50"



## MECHANICAL SPECIFICATIONS



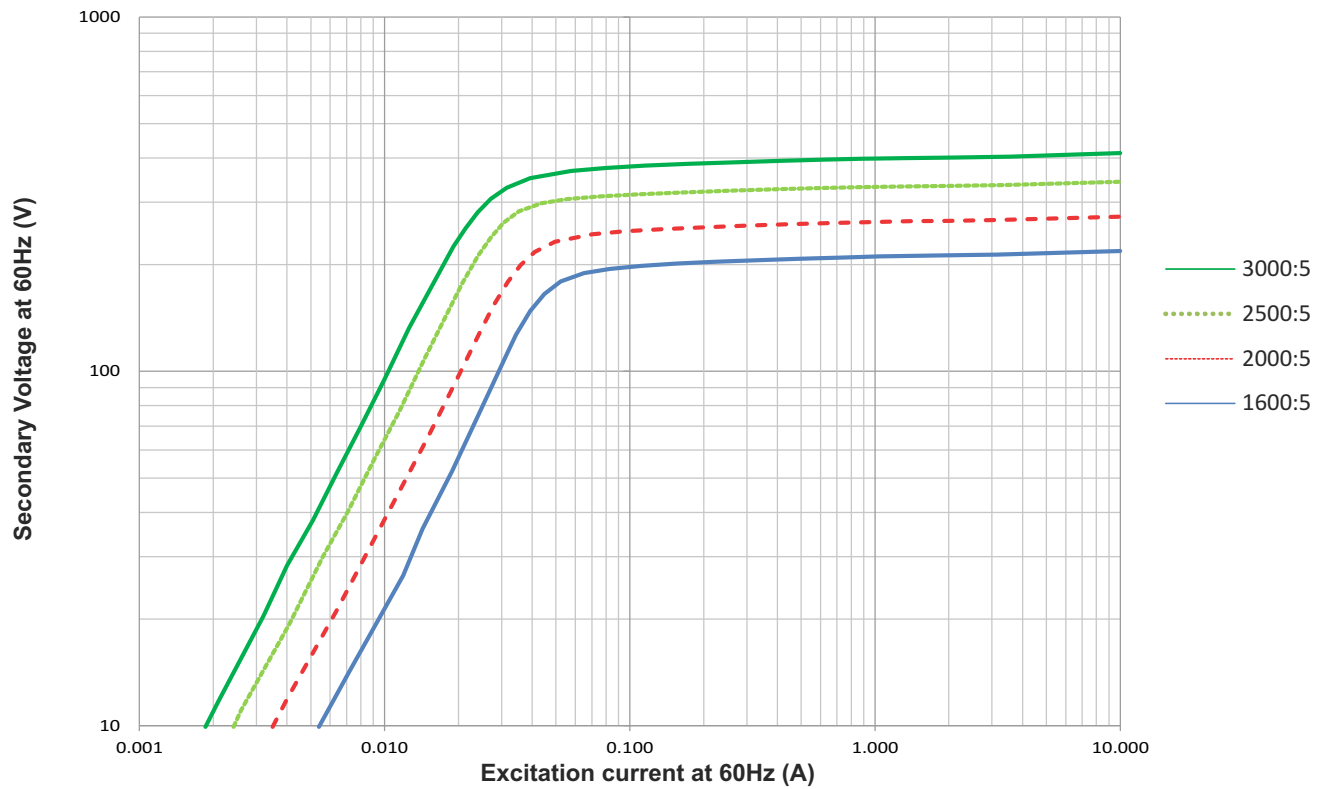
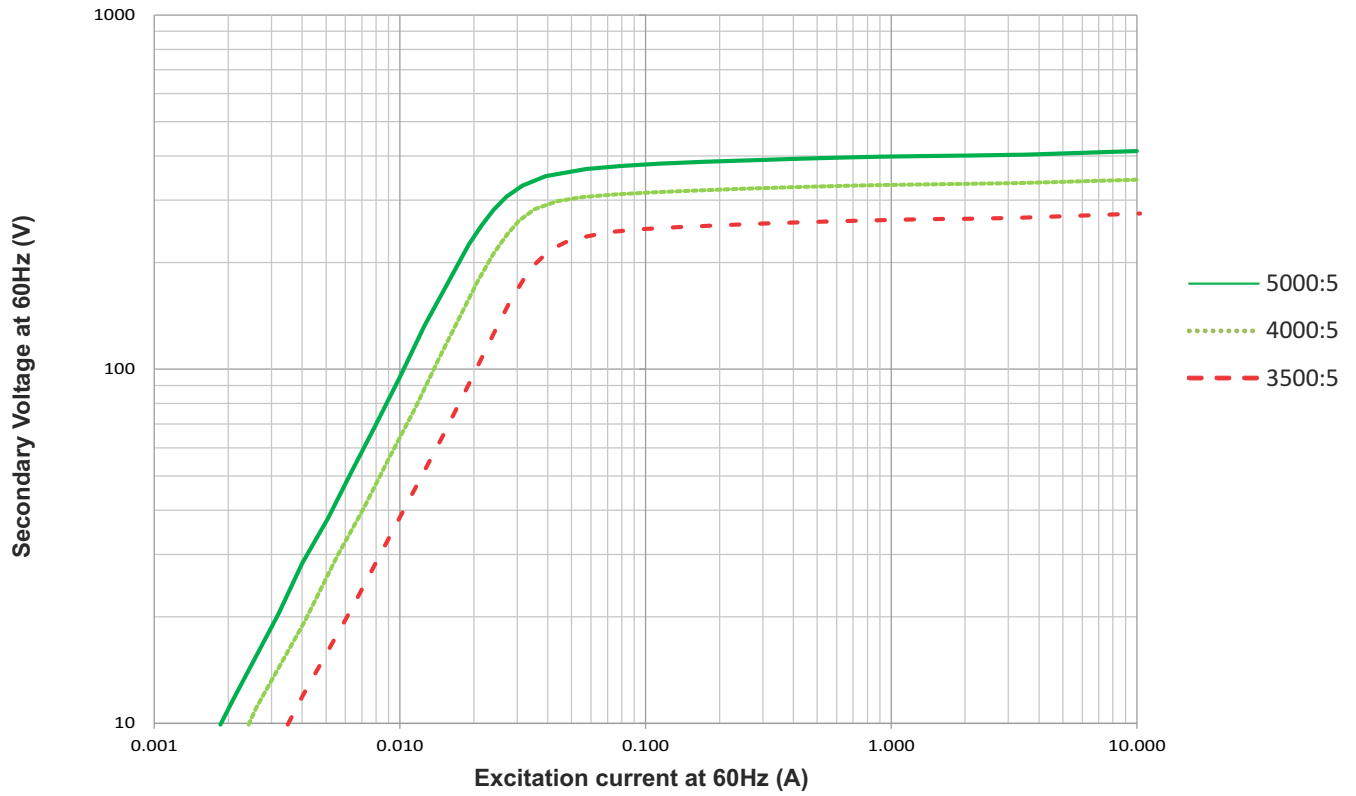
## CONNECTION DIAGRAM



DIMENSIONS IN INCHES[MM]

7.0" Internal Diameter  
Width 3.50"

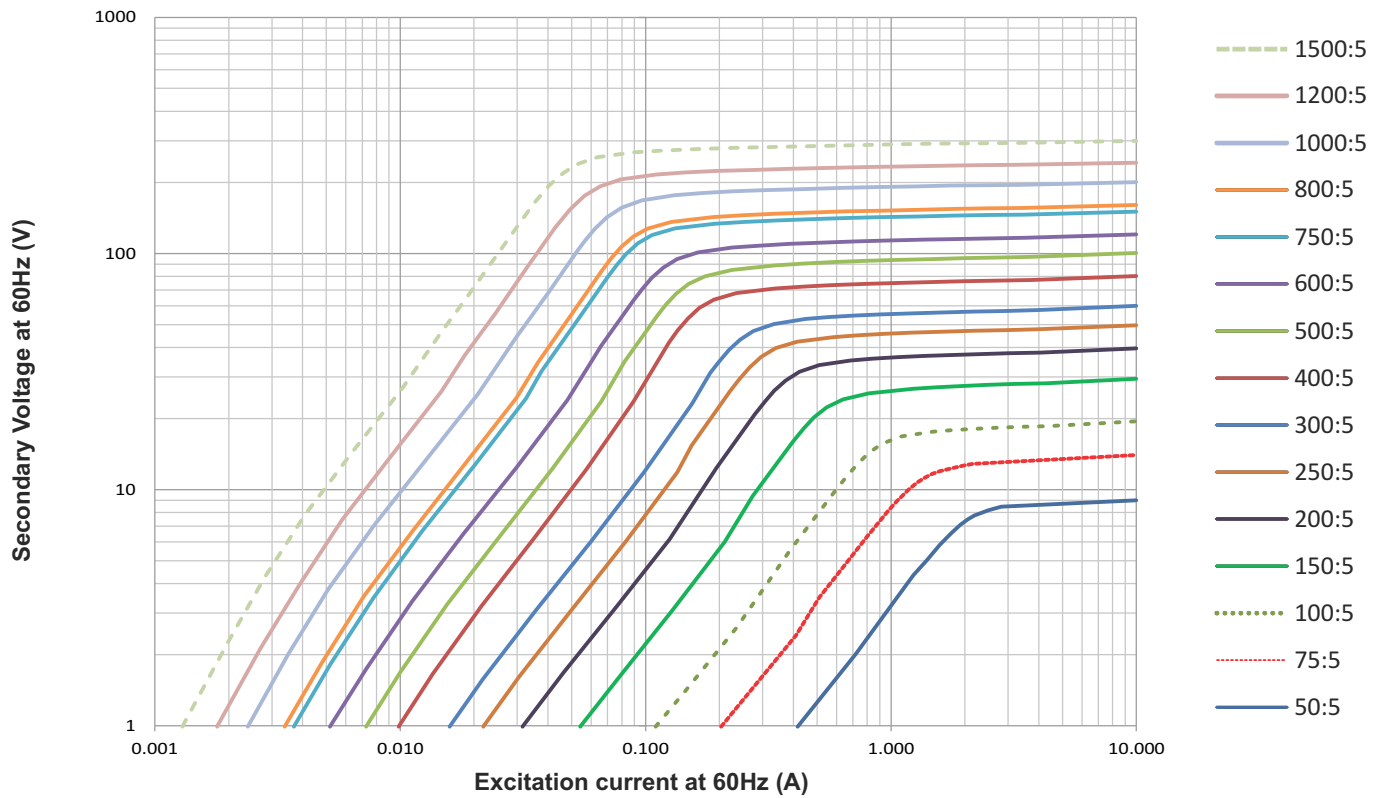
## Typical Excitation Curves



7.0" Internal Diameter

Width 3.50"

## Typical Excitation Curves



# INSTRUMENT CURRENT TRANSFORMER

7.0" Internal Diameter, Multi-Ratio  
Width 3.5"



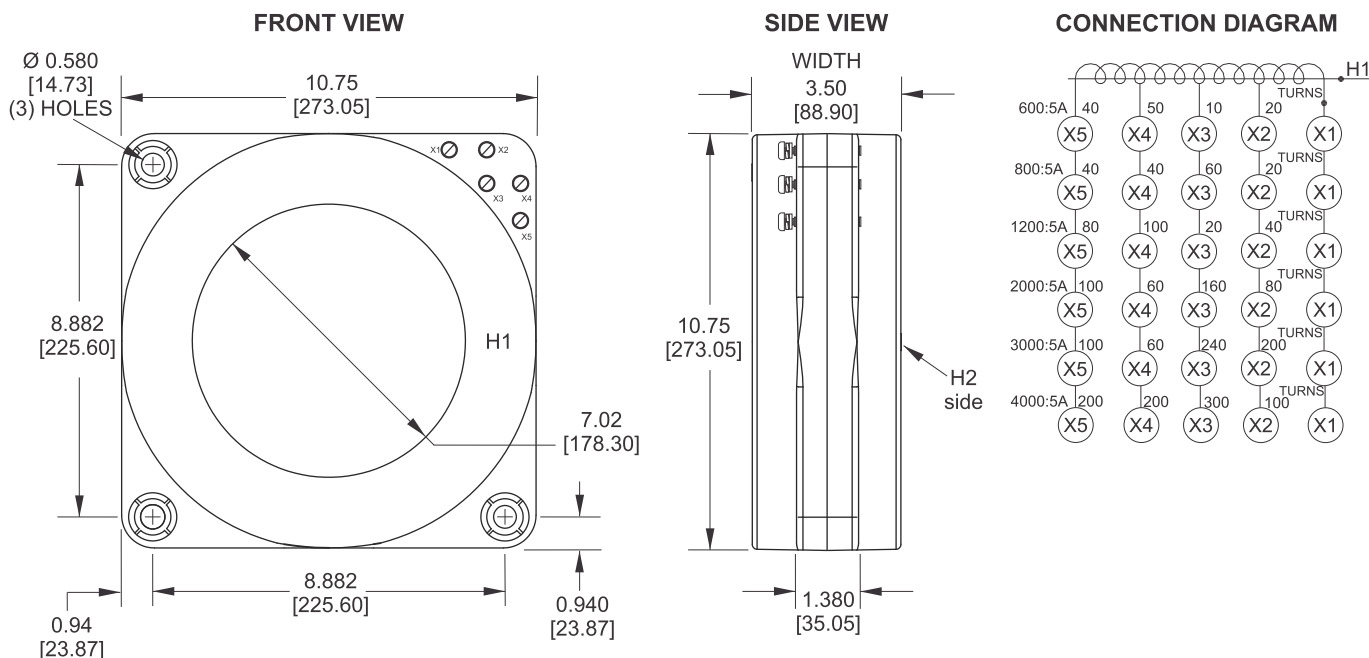
- Application - Relay and Metering
- Frequency 50 - 400hz
- AC capability 600 - 4000 Amperes
- Insulation Class 0.6kV, 10kV BIL full wave
- Excitation curves upon request
- Secondary terminals are brass screws No. 10-32 with one flatwasher, lockwasher, accessible from either side
- Approximate weight 31 lbs
- UL and cUL Certified per ANSI/IEEE C57.13 standard

C US E469271

## ELECTRICAL SPECIFICATIONS

CATALOG NUMBER	CURRENT RATIO (A), (X1-X5)	RELAY CLASS	ANSI METERING CLASS AT 60HZ (X1-X5)					SECONDARY WINDING RESISTANCE (OHMS @75C), (X1-X5)	CURRENT RATING FACTOR @30C
			B0.1	B0.2	B0.5	B0.9	B2.0		
ICT96A07	600:5	C100	0.3	0.3	0.3	0.6	1.2	0.19	2.0
ICT96A01	800:5	C100	0.3	0.3	0.3	0.6	0.6	0.28	2.0
ICT96A08	1200:5	C200	0.3	0.3	0.3	0.3	0.3	0.44	2.0
ICT96A04	2000:5	C200	0.3	0.3	0.3	0.3	0.3	0.60	1.0
ICT96A02	3000:5	C200	0.3	0.3	0.3	0.3	0.3	1.19	1.0
ICT96A03	4000:5	C200	0.3	0.3	0.3	0.3	0.3	1.03	1.0

## MECHANICAL SPECIFICATIONS

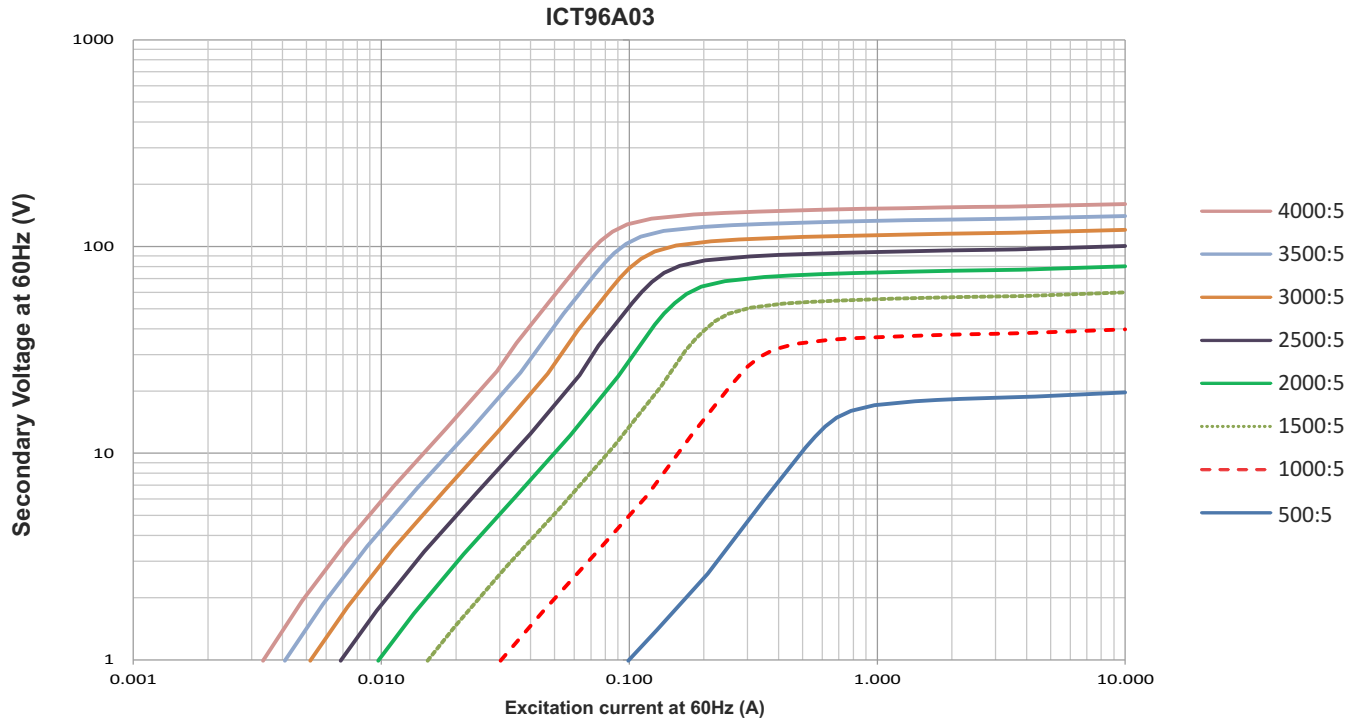


DIMENSIONS IN INCHES[MM]

7.0" Internal Diameter, Multi-Ratio  
Width 3.5"

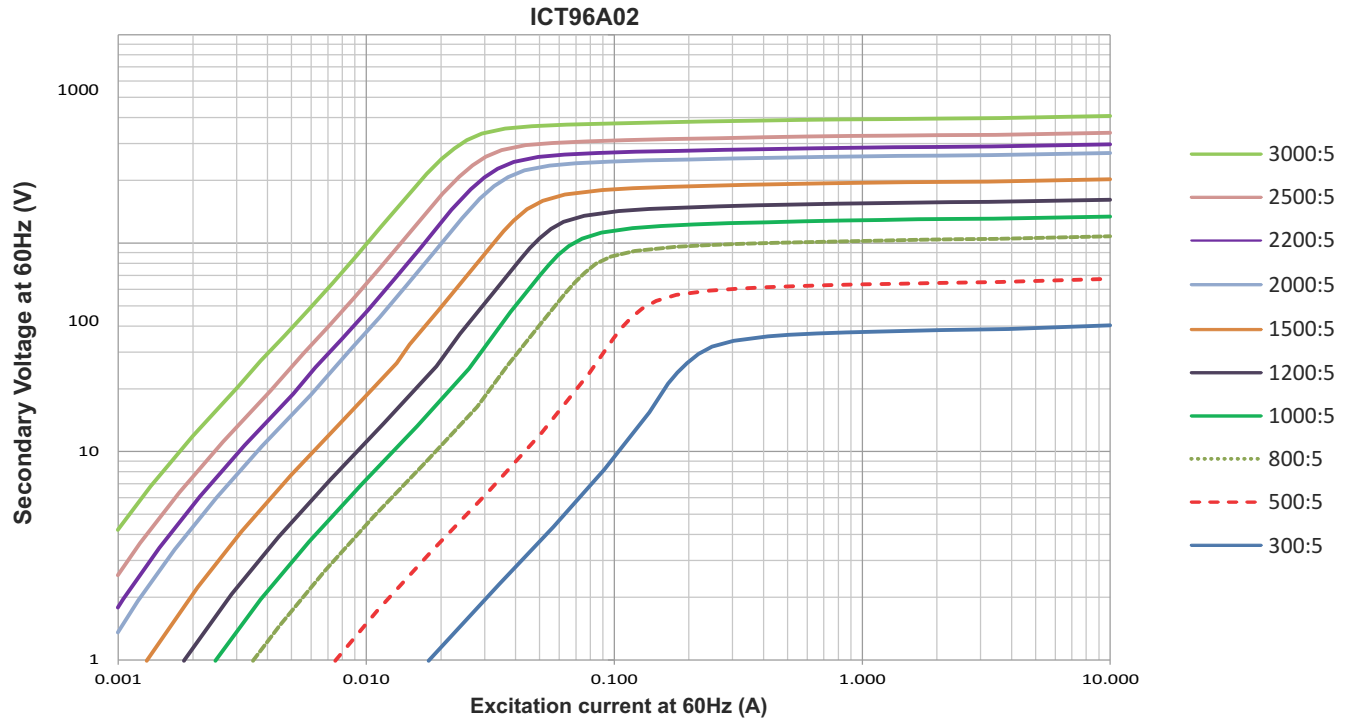


## Typical Excitation Curves



### ICT96A03 Ratings

Terminals	X1-X2	X4-X5	X3-X4	X2-X3	X3-X5
Ratio	500:5A	1000:5A	1000:5A	1500:5A	2000:5A
Terminals	X1-X3	X2-X4	X1-X4	X2-X5	X1-X5
Ratio	2000:5A	2500:5A	3000:5A	3500:5A	4000:5A



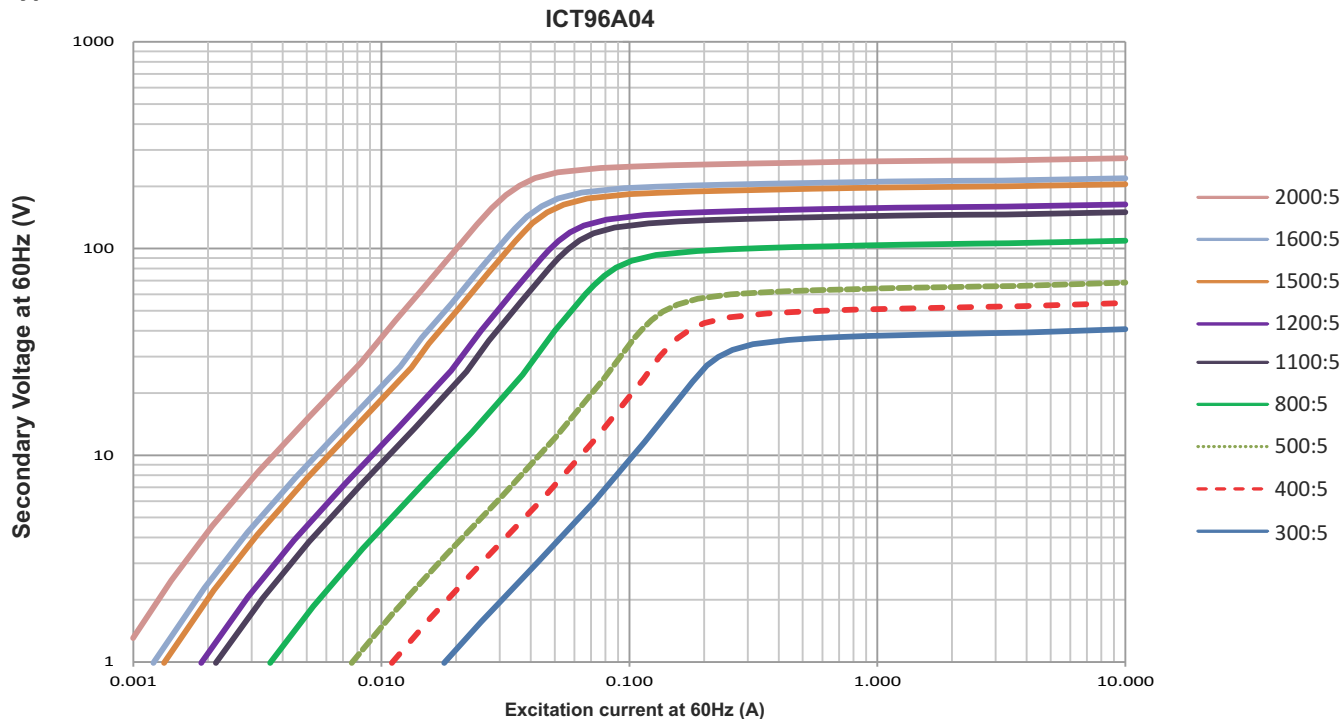
### ICT96A02 Ratings

Terminals	X3-X4	X4-X5	X3-X5	X1-X2	X2-X3
Ratio	300:5A	500:5A	800:5A	1000:5A	1200:5A
Terminals	X2-X4	X2-X5	X1-X3	X1-X4	X1-X5
Ratio	1500:5A	2000:5A	2200:5A	2500:5A	3000:5A

7.0" Internal Diameter, Multi-Ratio  
Width 3.5"

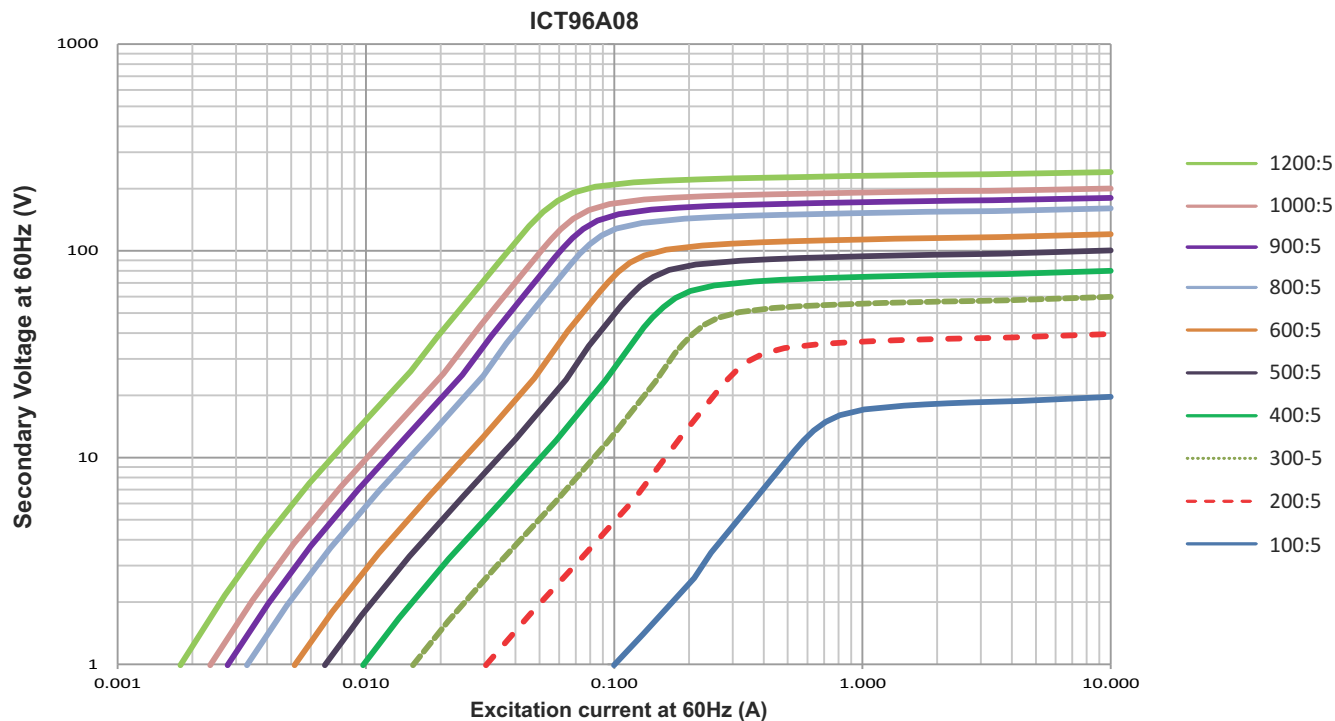


## Typical Excitation Curves



### ICT96A04 Ratings

Terminals	X3-X4	X1-X2	X4-X5	X3-X5	X2-X3
Ratio	300:5A	400:5A	500:5A	800:5A	800:5A
Terminals	X2-X4	X1-X3	X1-X4	X2-X5	X1-X5
Ratio	1100:5A	1200:5A	1500:5A	1600:5A	2000:5A



### ICT96A08 Ratings

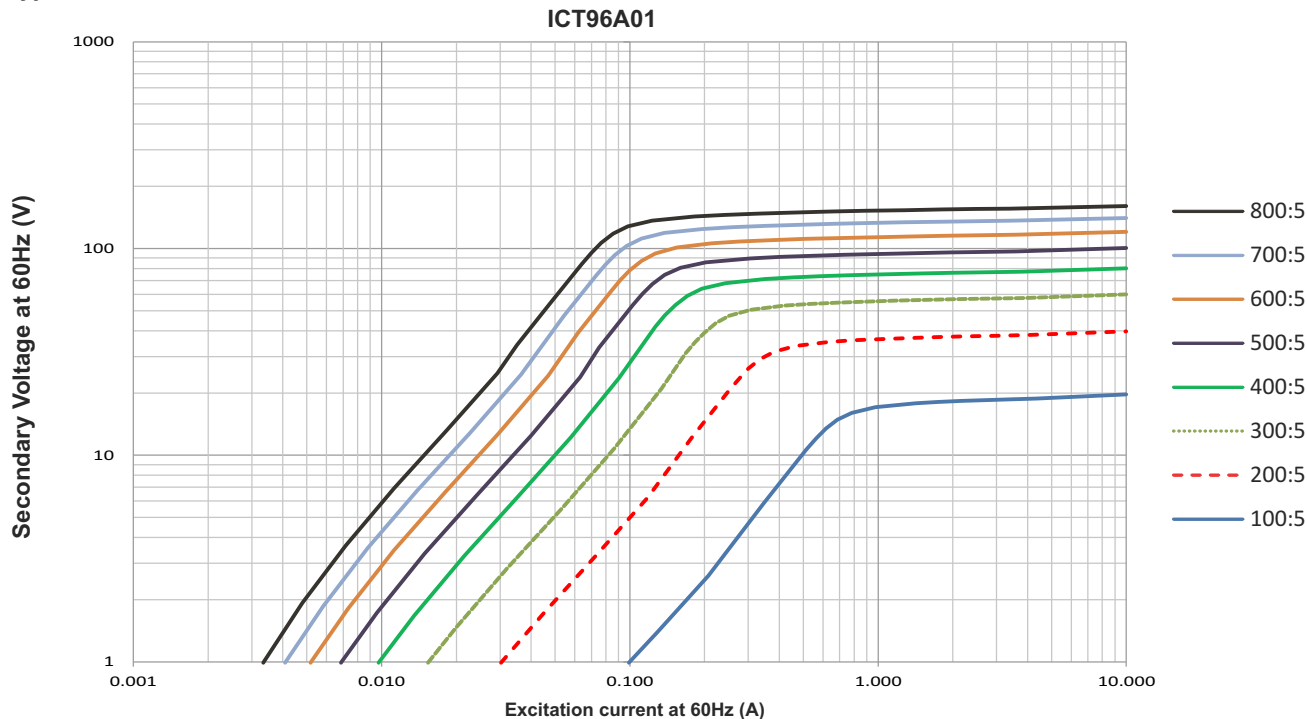
Terminals	X2-X3	X1-X2	X1-X3	X4-X5	X3-X4
Ratio	100:5A	200:5A	300:5A	400:5A	500:5A
Terminals	X2-X4	X1-X4	X3-X5	X2-X5	X1-X5
Ratio	600:5A	800:5A	900:5A	1000:5A	1200:5A

7.0" Internal Diameter, Multi-Ratio

Width 3.5"

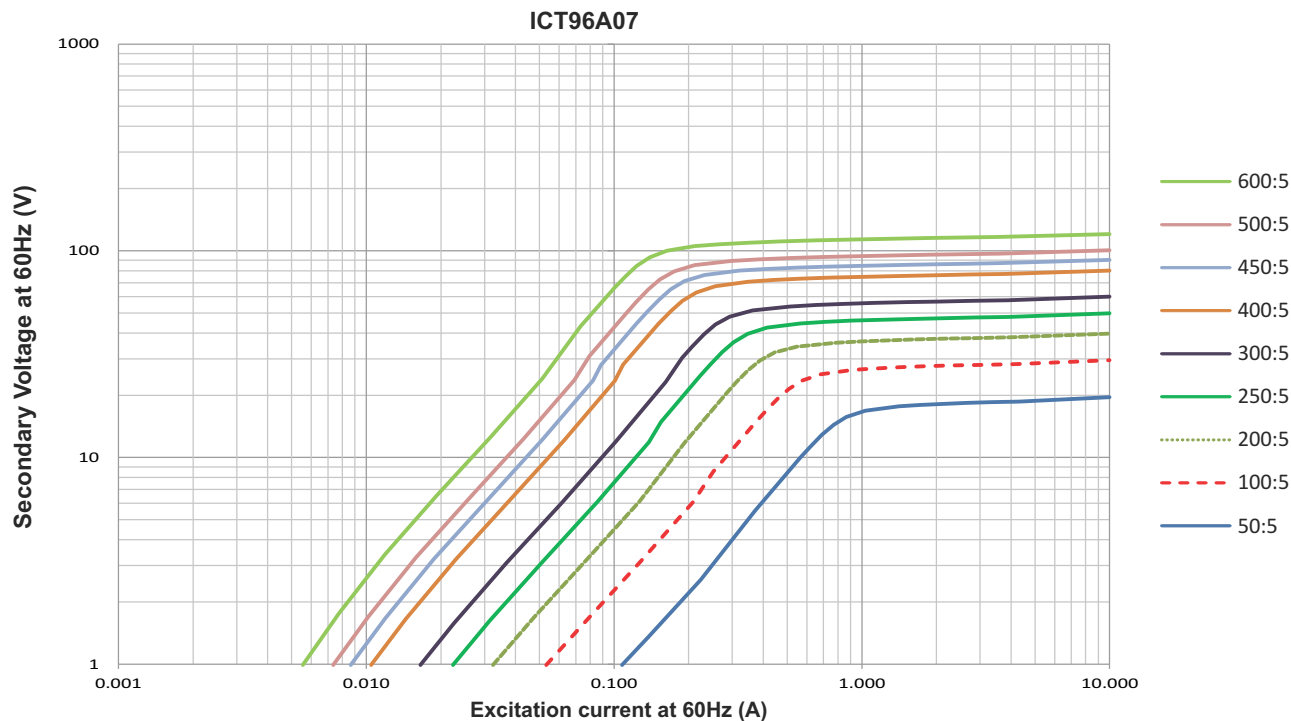


## Typical Excitation Curves



### ICT96A01 Ratings

Terminals	X1-X2	X4-X5	X3-X4	X2-X3	X3-X5
Ratio	100:5A	200:5A	200:5A	300:5A	400:5A
Terminals	X1-X3	X2-X4	X1-X4	X2-X5	X1-X5
Ratio	400:5A	500:5A	600:5A	700:5A	800:5A

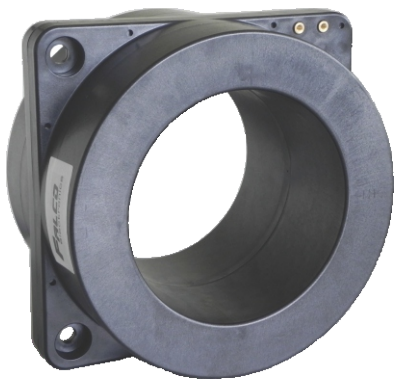


### ICT96A07 Ratings

Terminals	X2-X3	X1-X2	X1-X3	X4-X5	X3-X4
Ratio	50:5A	100:5A	150:5A	200:5A	250:5A
Terminals	X2-X4	X1-X4	X3-X5	X2-X5	X1-X5
Ratio	300:5A	400:5A	450:5A	500:5A	600:5A



7.0" Internal Diameter  
Width 7.0"



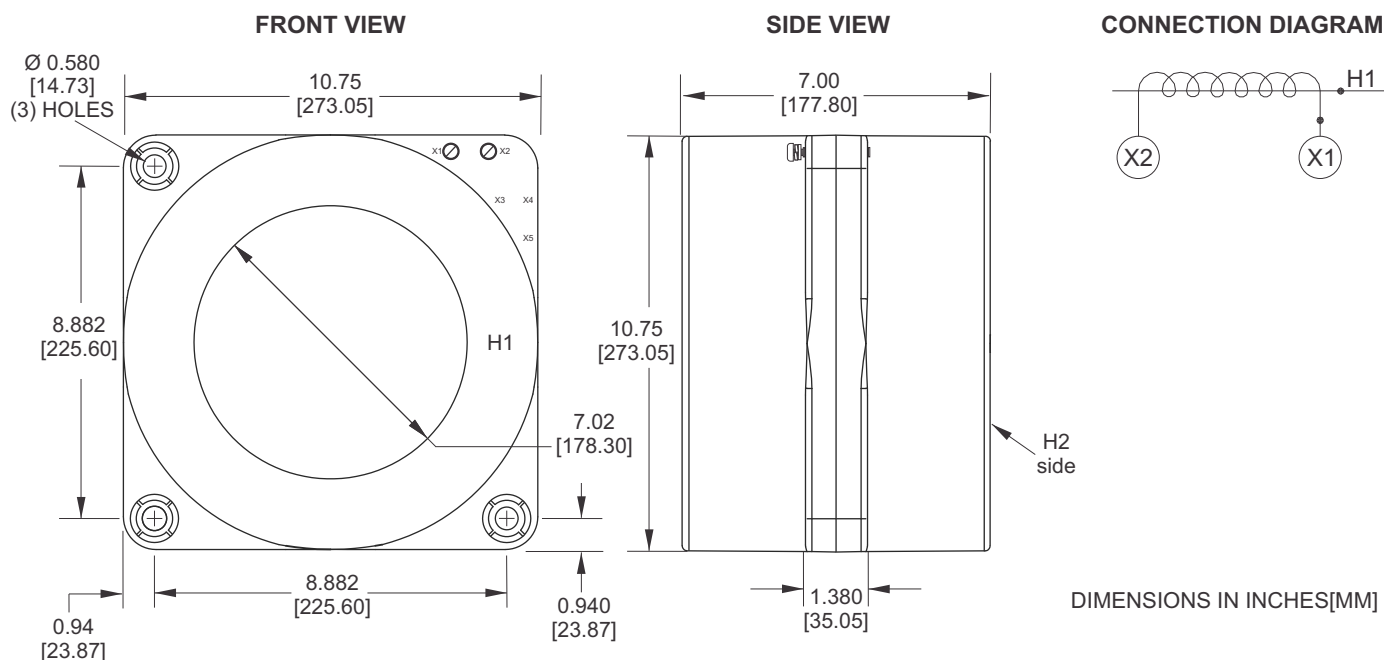
- Application - Relay and Metering
- Frequency 50 - 400 Hz
- AC capability 600 - 4000 Amperes
- Insulation Class 0.6kV, 10kV BIL full wave
- Excitation curves upon request
- Secondary terminals are brass screws No. 10-32 with one flatwasher, lockwasher, accessible from either side
- Approximate weight 52 lbs
- UL and cUL Certified per ANSI/IEEE C57.13 standard



## ELECTRICAL SPECIFICATIONS

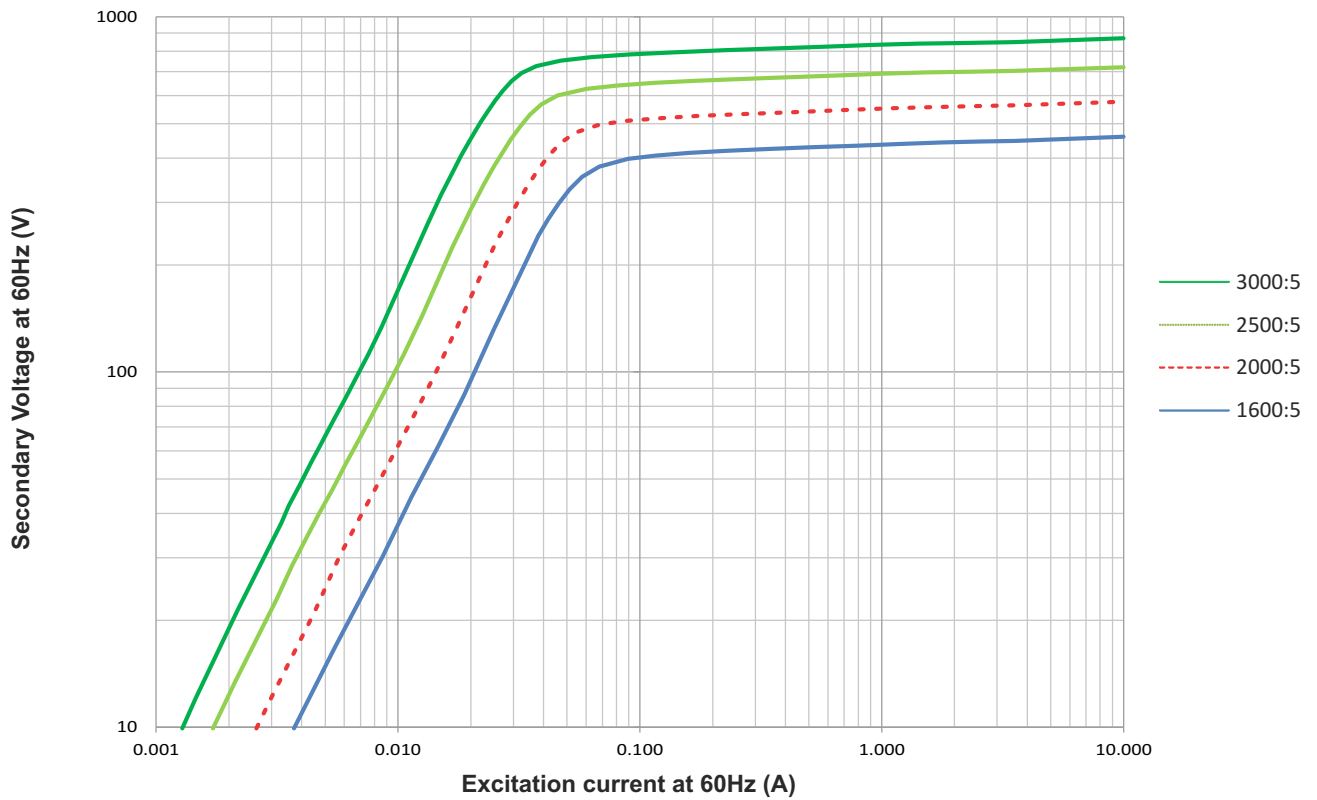
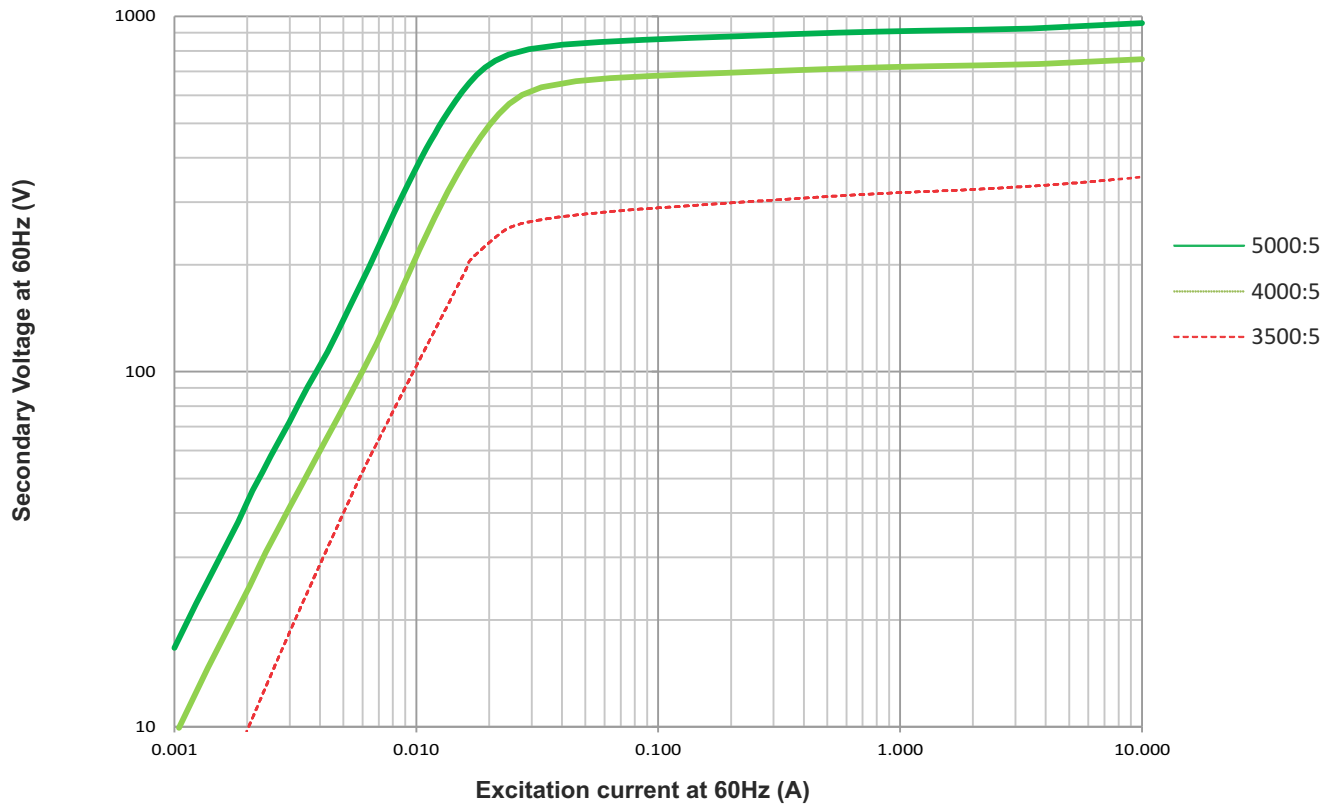
CATALOG NUMBER	CURRENT RATIO (A)	RELAY CLASS	ANSI METERING ACCURACY CLASS AT 60HZ					TYPICAL SECONDARY RESISTANCE (OHMS @75C)	CURRENT RATING FACTOR @30C
			B0.1	B0.2	B0.5	B0.9	B2.0		
ICT98007	50:5	C10	4.8	4.8				0.016	2.0
ICT98008	75:5	C20	2.4	2.4	4.8			0.023	2.0
ICT98009	100:5	C30	1.2	2.4	2.4	4.8		0.031	2.0
ICT98005	150:5	C40	0.6	1.2	1.2	2.4	4.8	0.042	2.0
ICT98010	200:5	C60	0.6	0.6	1.2	1.2	2.4	0.067	2.0
ICT98011	250:5	C80	0.3	0.6	0.6	1.2	2.4	0.080	2.0
ICT98001	300:5	C110	0.3	0.3	0.6	0.6	1.2	0.100	2.0
ICT98012	400:5	C130	0.3	0.3	0.3	0.6	0.6	0.112	2.0
ICT98013	500:5	C160	0.3	0.3	0.3	0.3	0.6	0.165	2.0
ICT98004	600:5	C210	0.3	0.3	0.3	0.3	0.3	0.175	2.0
ICT98 014	700:5	C250	0.3	0.3	0.3	0.3	0.3	0.280	2.0
ICT98002	800:5	C270	0.3	0.3	0.3	0.3	0.3	0.267	2.0
ICT98015	1000:5	C340	0.3	0.3	0.3	0.3	0.3	0.320	2.0
ICT98003	1200:5	C425	0.3	0.3	0.3	0.3	0.3	0.400	2.0
ICT98016	1600:5	C400	0.3	0.3	0.3	0.3	0.3	0.580	2.0
ICT98006	2000:5	C460	0.3	0.3	0.3	0.3	0.3	0.540	2.0
ICT98017	2500:5	C580	0.3	0.3	0.3	0.3	0.3	0.730	2.0
ICT98018	3000:5	C660	0.3	0.3	0.3	0.3	0.3	1.100	1.3
ICT98019	4000:5	C460	0.3	0.3	0.3	0.3	0.3	0.940	1.3

## MECHANICAL SPECIFICATIONS



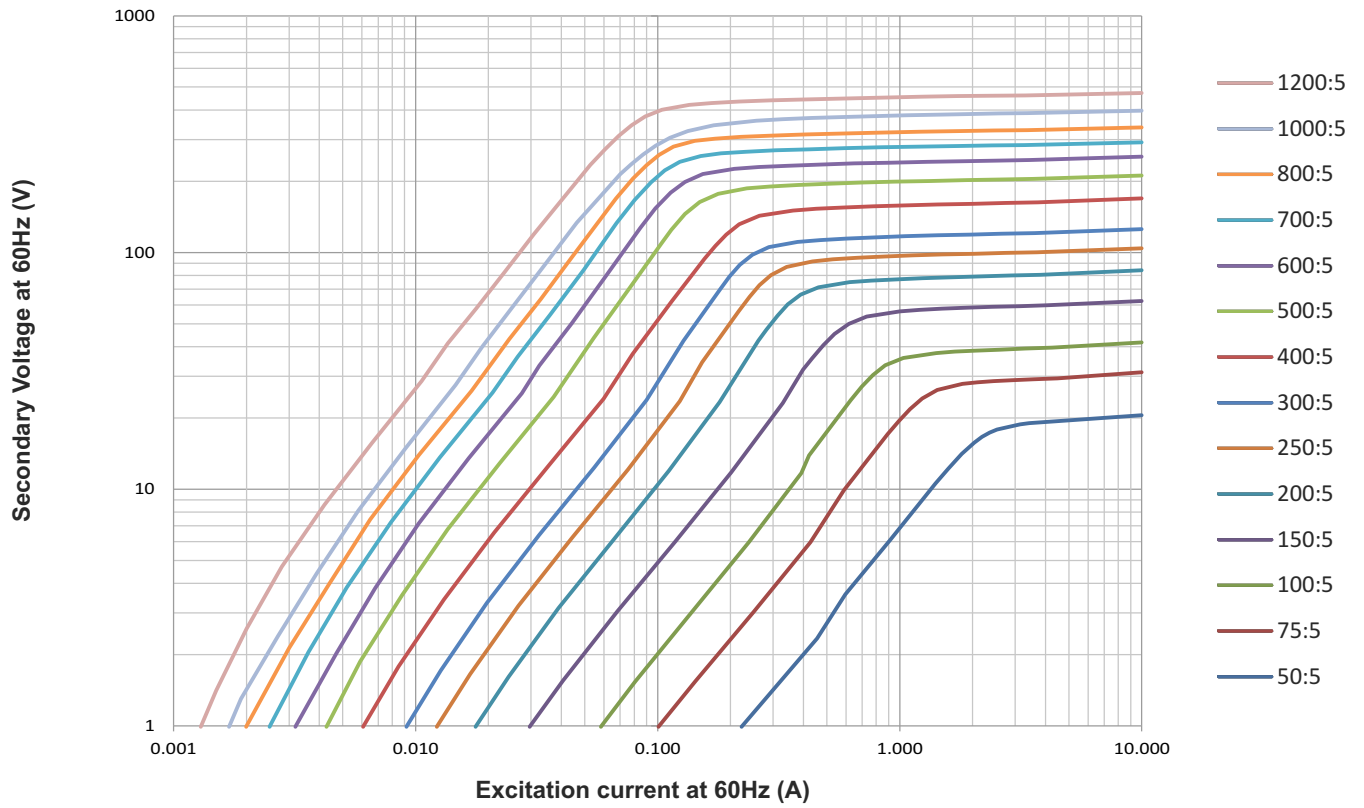
7.0" Internal Diameter  
Width 7.0"

## Typical Excitation Curves



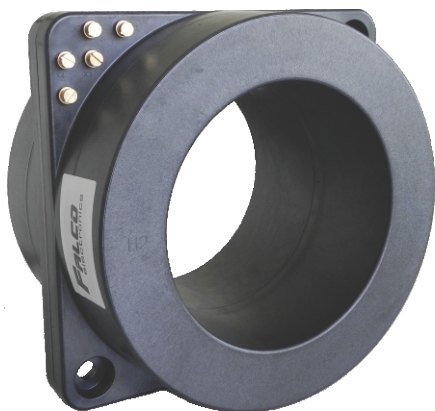
7.0" Internal Diameter  
Width 7.0"

## Typical Excitation Curves



# INSTRUMENT CURRENT TRANSFORMER

7.0" Internal Diameter, Multi-Ratio  
Width 7.0"



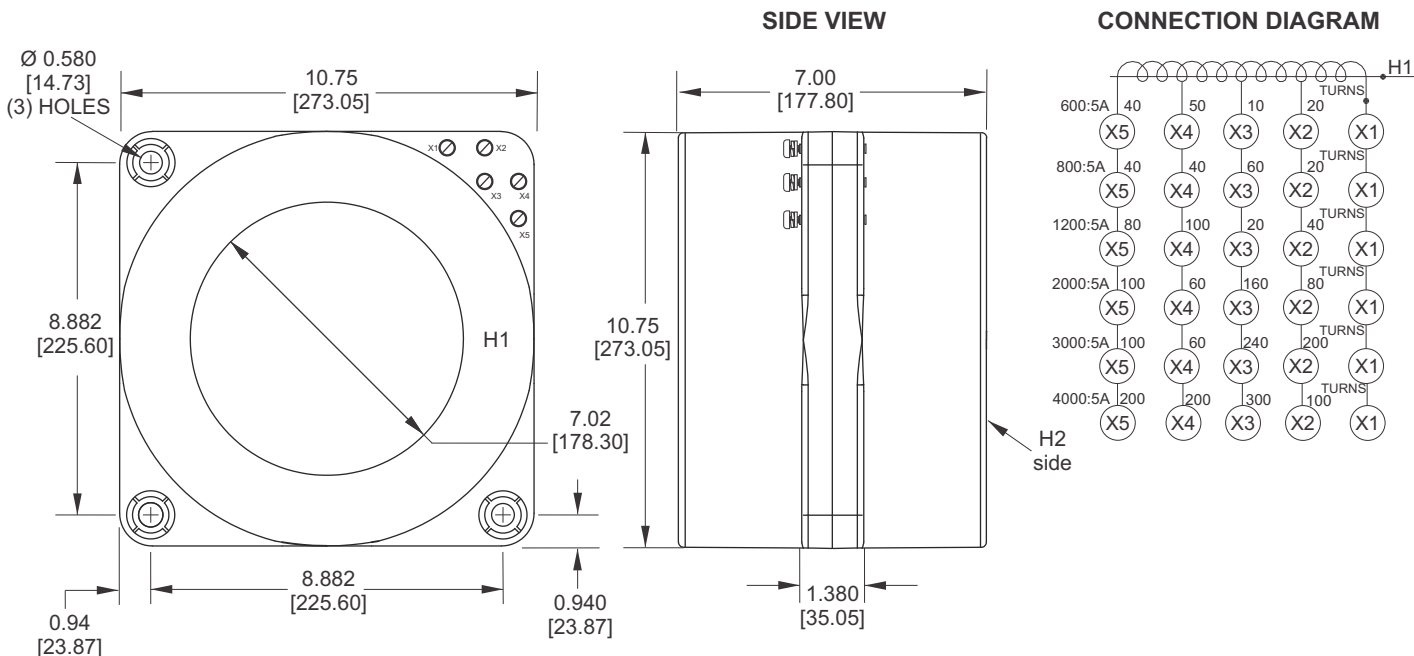
- Application - Relay and Metering
- Frequency 50 - 400 Hz
- AC capability 600 - 4000 Amperes
- Insulation Class 0.6kV, 10kV BIL full wave
- Excitation curves upon request
- Secondary terminals are brass screws No. 10-32 with one flatwasher, lockwasher, accessible from either side
- Approximate weight 53 lbs
- UL and cUL Certified per ANSI/IEEE C57.13 standard



## ELECTRICAL SPECIFICATIONS

CATALOG NUMBER	CURRENT RATIO (A), (X1-X5)	RELAY CLASS	ANSI METERING CLASS AT 60HZ (X1-X5)					SECONDARY WINDING RESISTANCE (OHMS @75C), (X1-X5)	CURRENT RATING FACTOR @30C
			B0.1	B0.2	B0.5	B0.9	B2.0		
ICT98A01	600:5	C245	0.3	0.3	0.3	0.6	1.2	0.19	2.0
ICT98A03	1200:5	C425	0.3	0.3	0.3	0.3	0.3	0.44	2.0
ICT98A06	2000:5	C460	0.3	0.3	0.3	0.3	0.3	0.60	1.0
ICT98A02	3000:5	C660	0.3	0.3	0.3	0.3	0.3	1.19	1.0

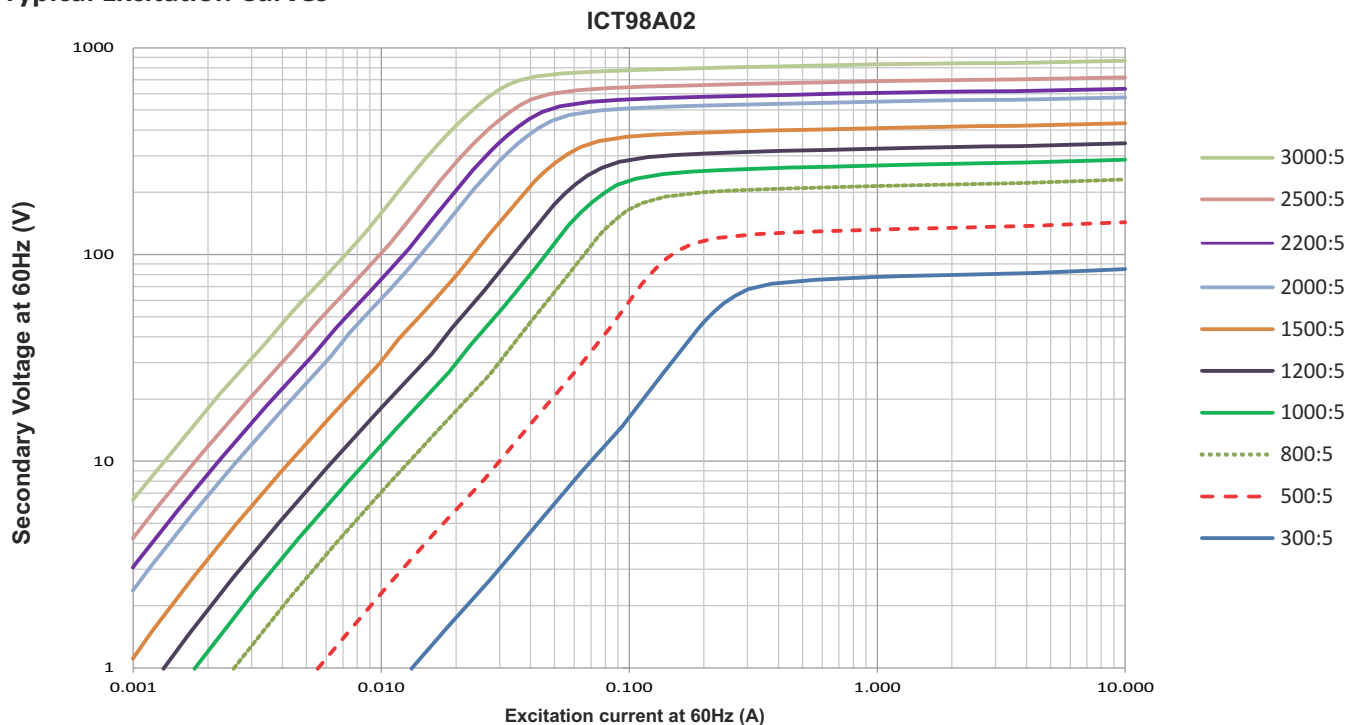
## MECHANICAL SPECIFICATIONS



7.0" Internal Diameter, Multi-Ratio  
Width 7.0"

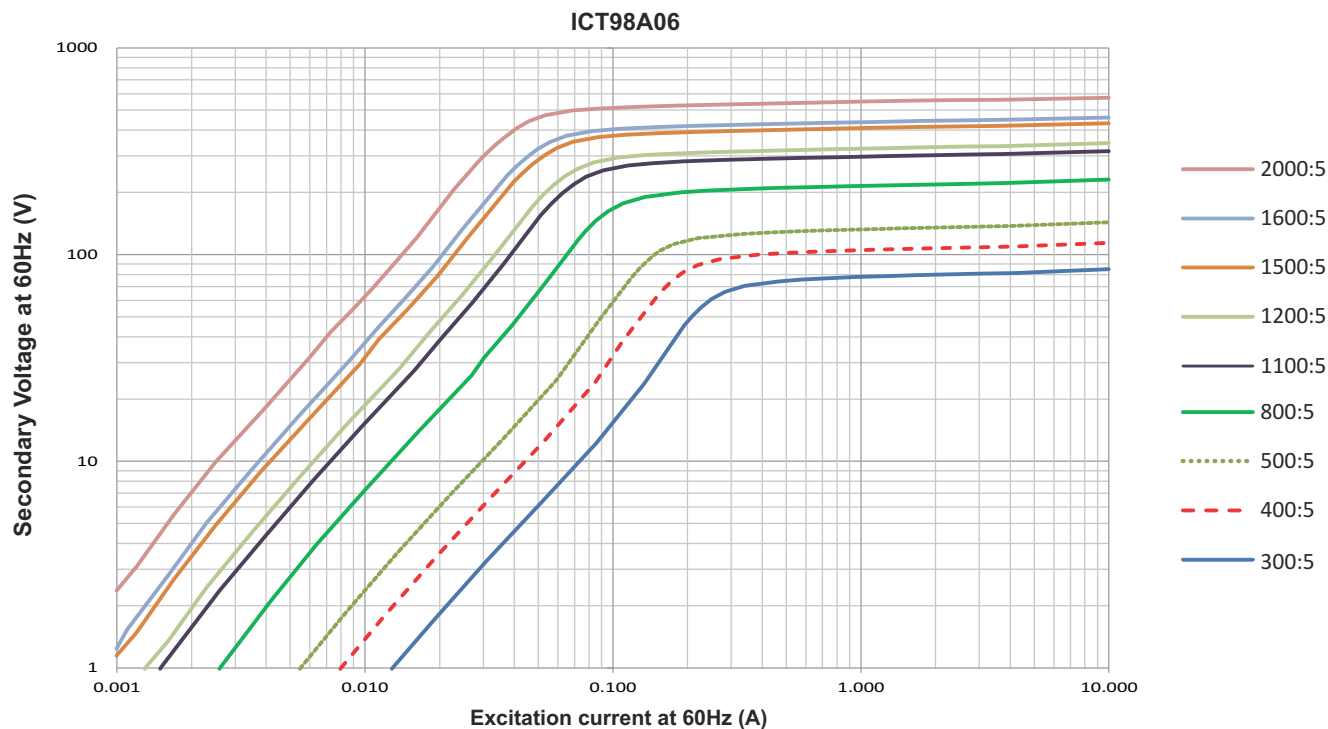


## Typical Excitation Curves



### ICT98A02 Ratings

Terminals	X3-X4	X4-X5	X3-X5	X1-X2	X2-X3
Ratio	300:5A	500:5A	800:5A	1000:5A	1200:5A
Terminals	X2-X4	X2-X5	X1-X3	X1-X4	X1-X5
Ratio	1500:5A	2000:5A	2200:5A	2500:5A	3000:5A



### ICT98A06 Ratings

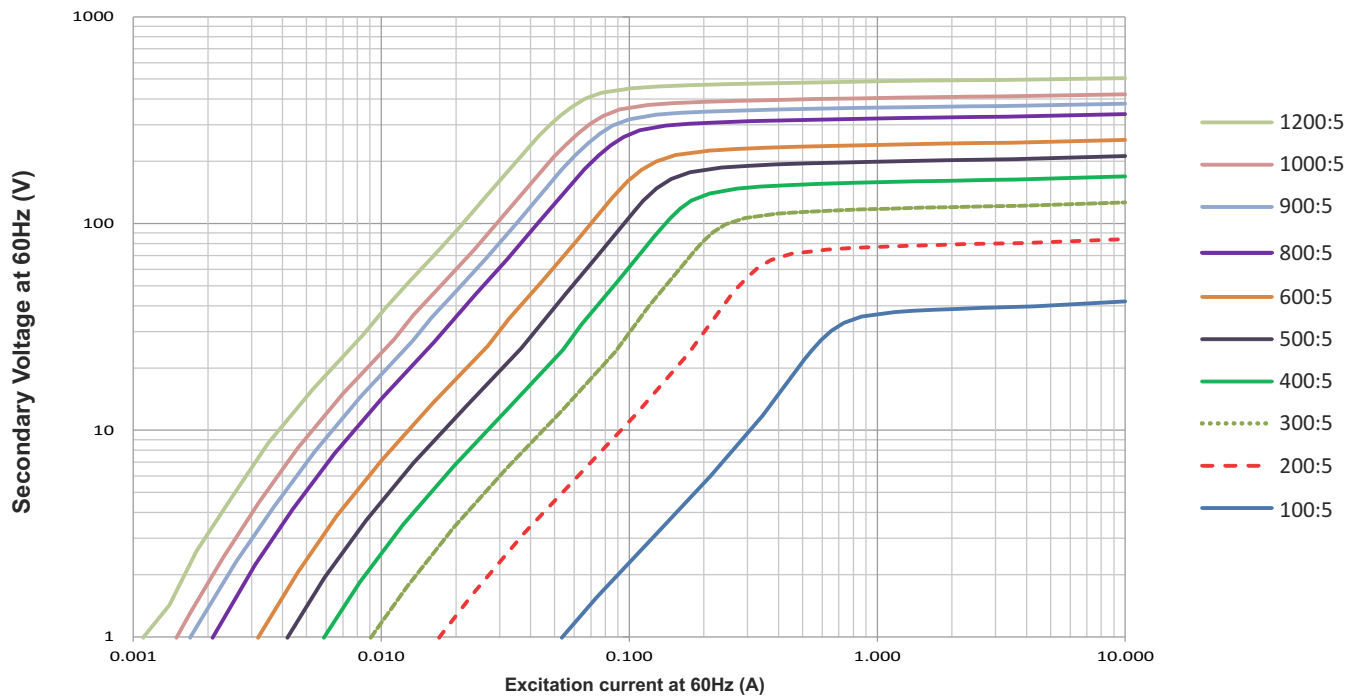
Terminals	X3-X4	X1-X2	X4-X5	X3-X5	X2-X3
Ratio	300:5A	400:5A	500:5A	800:5A	800:5A
Terminals	X2-X4	X1-X3	X1-X4	X2-X5	X1-X5
Ratio	1100:5A	1200:5A	1500:5A	1600:5A	2000:5A

7.0" Internal Diameter, Multi-Ratio  
Width 7.0"



## Typical Excitation Curves

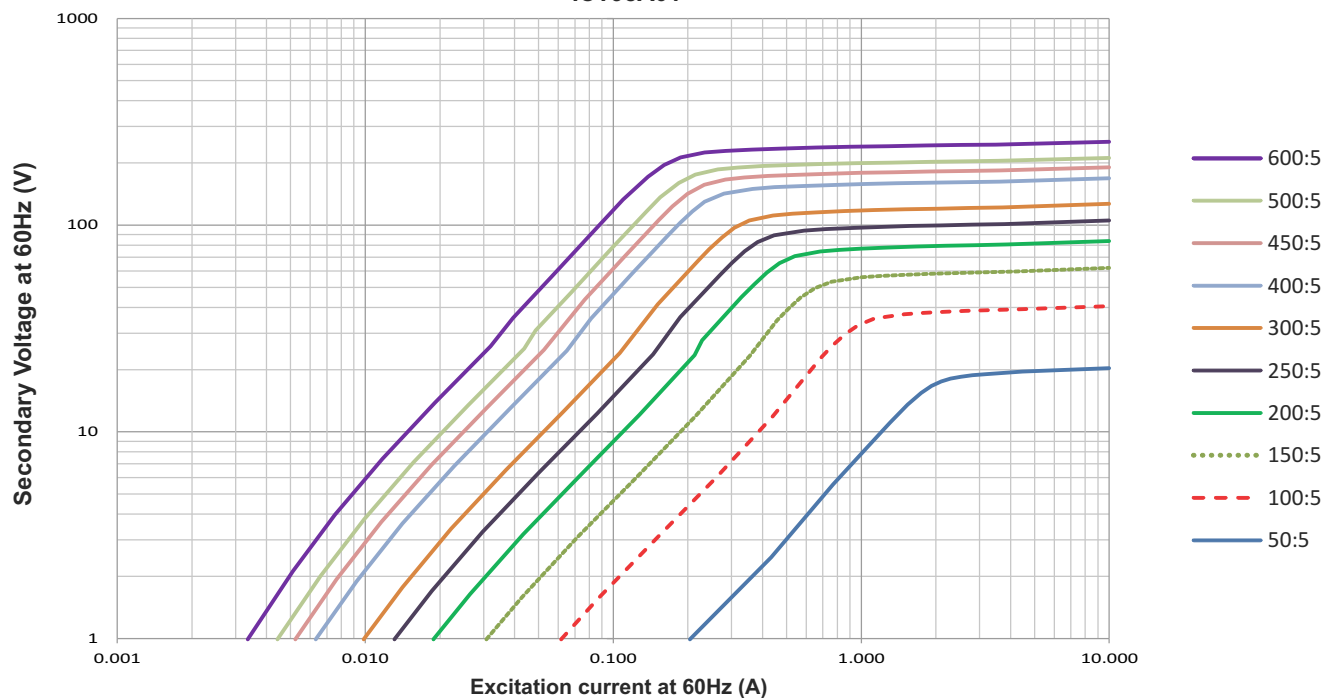
### ICT98A03



### ICT98A03 Ratings

Terminals	X2-X3	X1-X2	X1-X3	X4-X5	X3-X4
Ratio	100:5A	200:5A	300:5A	400:5A	500:5A
Terminals	X2-X4	X1-X4	X3-X5	X2-X5	X1-X5
Ratio	600:5A	800:5A	900:5A	1000:5A	1200:5A

### ICT98A01



### ICT98A01 Ratings

Terminals	X2-X3	X1-X2	X1-X3	X4-X5	X3-X4
Ratio	50:5A	100:5A	150:5A	200:5A	250:5A
Terminals	X2-X4	X1-X4	X3-X5	X2-X5	X1-X5
Ratio	300:5A	400:5A	450:5A	500:5A	600:5A

# WORLDWIDE LOCATIONS



Put our services to the test, contact us for a free consultation today



## R&D Centers

- Miami, USA
- Merate, (Lecco) Italy
- Merida, Mexico
- Xiamen, China
- Bengaluru, India
- Montevarchi, Italy

## Sales Offices

- Miami, USA
- Merate, (Lecco) Italy
- Merida, Mexico
- Xiamen, China
- Bengaluru, India

## Plants

- Merida, Mexico
- Bengaluru, India,
- Xiamen, China

## Main Warehouses

- Los Angeles, USA
- Amsterdam, NL
- Helsinki, FIN



## UNITED STATES

4970 SW 72<sup>nd</sup> Ave.  
Unit 104  
Miami, FL 33155  
USA  
Ph: +1 (305) 662-7276  
ext: 3210, 3204  
E-fax: +1 (928) 752-3256  
sales@falco.com



## MEXICO

Calle 23 #311  
Fracc. Itzincab  
Merida, Yucatan  
Mexico 97392  
Ph: +52 (999) 930-0270  
ext: 1509  
Fax: +52 (999) 930-0293  
sales@falco.com